

**PLEASE CHECK WWW.MOLEX.COM FOR LATEST PART INFORMATION**

**Part Number:** **0471281001**  
**Status:** **Active**  
**Overview:** Slimline Serial ATA ODD Connectors  
**Description:** 1.27mm Pitch Crimp Terminal for Serial ATA Power Cable Receptacle, 0.76 µm Gold (Au) Plating, Lead free

**Documents:**

[3D Model](#) [RoHS Certificate of Compliance \(PDF\)](#)  
[Drawing \(PDF\)](#)

**General**

|                         |   |
|-------------------------|---|
| Product Family          | Crimp Terminals                           |
| Series                  | <u>47128</u>                              |
| Application             | Signal                                    |
| Crimp Quality Equipment | Yes                                       |
| Overview                | <u>Slimline Serial ATA ODD Connectors</u> |
| Product Name            | Serial ATA, Slimline Serial ATA           |
| UPC                     | 822348344192                              |

**Physical**

|                                |                      |
|--------------------------------|----------------------|
| Durability (mating cycles max) | 50                   |
| Gender                         | Female               |
| Material - Metal               | Phosphor Bronze      |
| Material - Plating Mating      | Gold                 |
| Material - Plating Termination | Tin                  |
| Net Weight                     | 160.140/mg           |
| Packaging Type                 | Reel                 |
| Plating min - Mating           | 0.762µm              |
| Plating min - Termination      | 0.762µm              |
| Plating min: Mating (µin)      | 30.4                 |
| Plating min: Mating (µm)       | 0.76                 |
| Plating min: Termination (µin) | 75                   |
| Plating min: Termination (µm)  | 1.875                |
| Termination Interface: Style   | Crimp or Compression |
| Wire Insulation Diameter       | 2.20-1.60mm          |
| Wire Size AWG                  | 18, 20, 22, 24       |
| Wire Size mm <sup>2</sup>      | 2.00-3.79            |

**Electrical**

|                               |        |
|-------------------------------|--------|
| Current - Maximum per Contact | 1.5A   |
| Voltage - Maximum             | 15V DC |

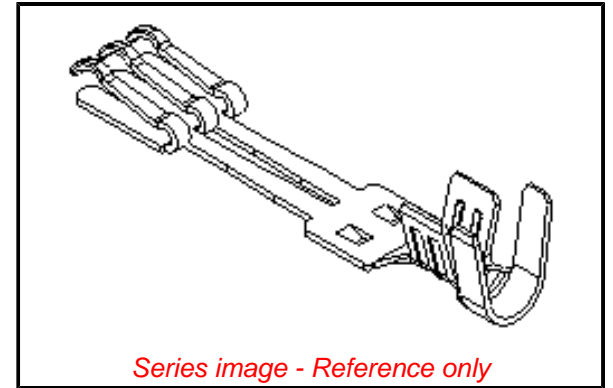
**Solder Process Data**

|                             |      |
|-----------------------------|------|
| Lead-freeProcess Capability | WAVE |
|-----------------------------|------|

**Material Info**

**Reference - Drawing Numbers**

|                     |              |
|---------------------|--------------|
| Crimp Specification | CS-47128-001 |
| Sales Drawing       | SD-47128-001 |



*Series image - Reference only*

**EU ELV**

**Not Relevant**

**EU RoHS**

**Not Relevant**

**REACH SVHC**

Not Relevant

**Halogen-Free**

**Status**

**Not Relevant**

**Need more information on product environmental compliance?**

Email [productcompliance@molex.com](mailto:productcompliance@molex.com)  
Please visit the [Contact Us](#) section for any non-product compliance questions.

|                 |              |
|-----------------|--------------|
| China ROHS      | Not Relevant |
| ELV             | Not Relevant |
| RoHS Phthalates | Not Relevant |

**Search Parts in this Series**

47128 Series

**Use With**

67582 Crimp Housing for Serial ATA Power Cable Receptacle

# Mouser Electronics

Authorized Distributor

Click to View Pricing, Inventory, Delivery & Lifecycle Information:

[Molex:](#)

[47128-1001](#)