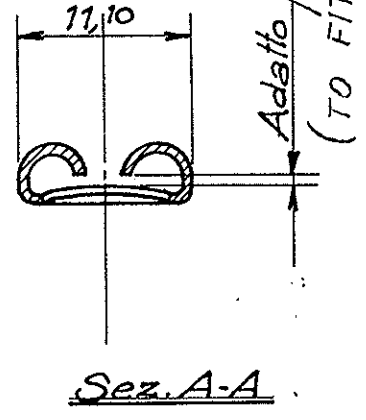
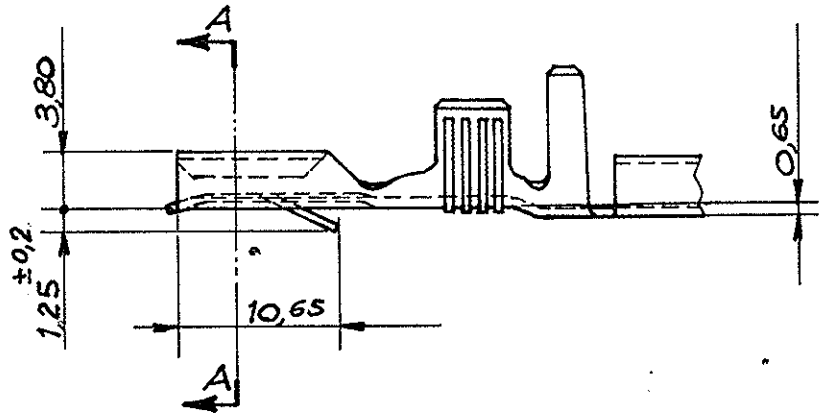
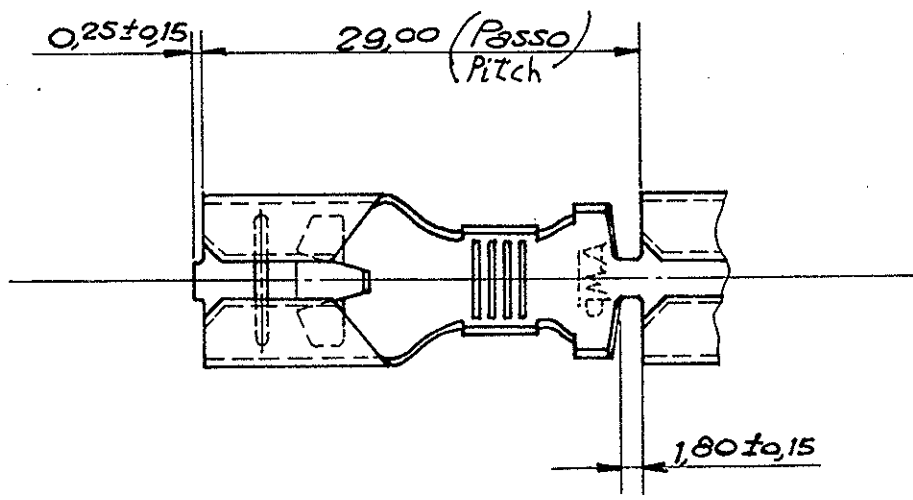


280756



1 OBSOLETE

PROIEZIONE AMERICANA

DIMENSIONS IN MM. DO NOT SCALE PRINT

L3	ECR-10-022530	KK	HMR	08FEB11	© 1976 BY TE INCORPORATED. ALL RIGHTS RESERVED. TE PRODUCTS COVERED BY PATENTS AND OR PATENTS PENDING.	CUSTOMER COPY REFERENCE ONLY			
L2	STARTEC UPDATING		H.Y.		MATERIAL AND FINISH	TE Connectivity			
L1	REVISED ETOD-0225-99		R.M.	4-5 2000	1 $\Delta$ / 1 OTTONE / 2 OTTONE STAGNATO				
B	DIM. 1,25±0,2 NAS 1,40			16/11/82	1 $\Delta$ / 3 BRONZO FOSFOROSO / 4 BRONZO FOSF. STAGNATO	CLASS			
A	IN PRODUZIONE			29-DIC.76	WIRE RANGE INSULATION 3÷6 mm <sup>2</sup>   $\phi$ 3,4÷5,1mm	TYPE			
1	P/N ERA IA-76-5207			20/7/86	TOLERANCE EXCEPT AS NOTED ±0,3 · 1 · 0	SCALE 2:1	LOC I	NO A	REV L3
LTR	REVISION RECORD	DR	CHK	DATE	NAME				
DR	Sopper JULY 1976		DE						
CHK			APR	29/24/76					
					.375 SERIES FASTIN-FASTON RECEPTACLE				

# Mouser Electronics

Authorized Distributor

Click to View Pricing, Inventory, Delivery & Lifecycle Information:

[TE Connectivity:](#)

[280756-2 \(CUT STRIP\)](#) [280756-2 \(MOUSER REEL\)](#)