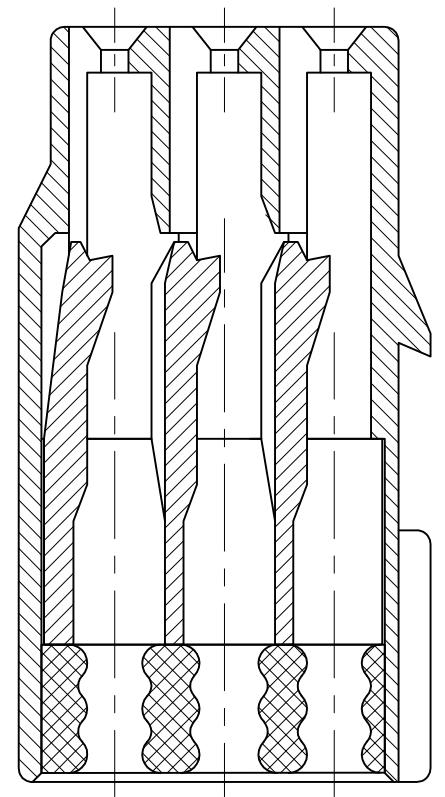
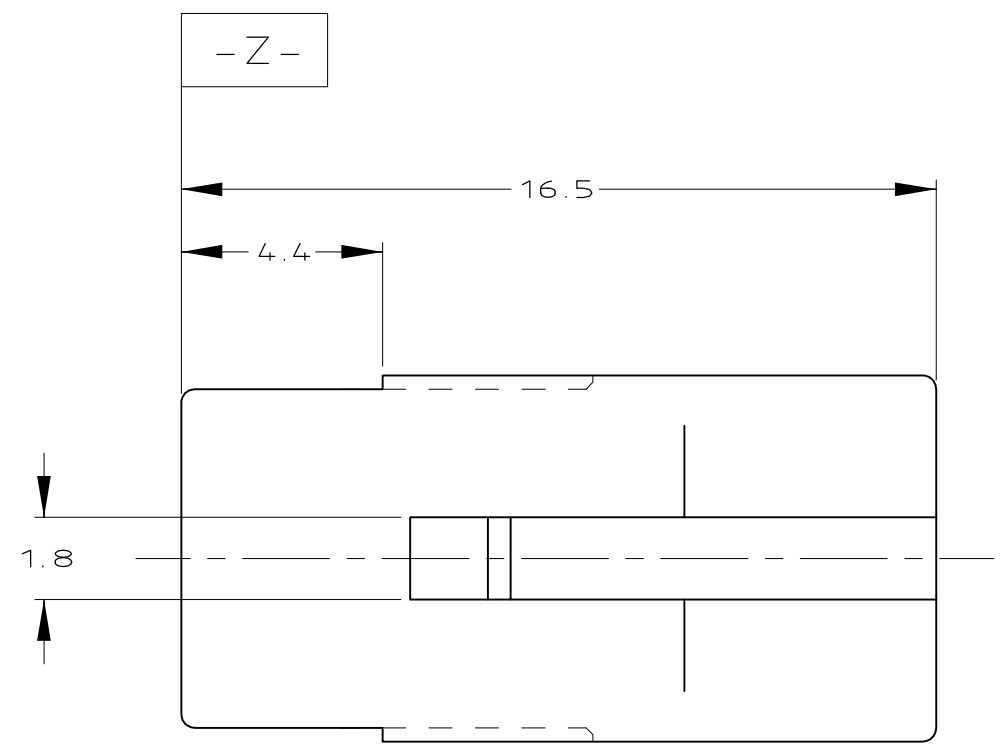
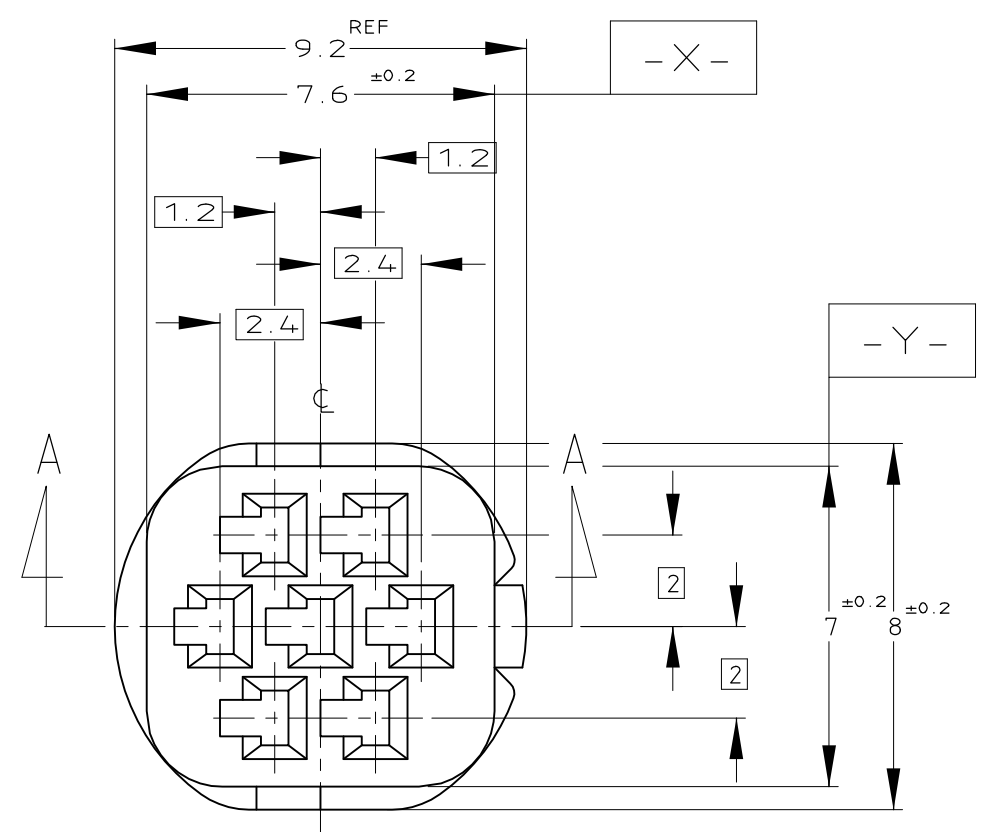


THIS DRAWING IS UNPUBLISHED. RELEASED FOR PUBLICATION
 © COPYRIGHT - By - ALL RIGHTS RESERVED.

LOC	DIST	REVISIONS		
J	-	P	LTR	DESCRIPTION
				DATE
				DWN
				APVD
		D1	REVISED PER ECO-11-005140	28MAR11
				RK
				HMR



SECT. A-A


TOLERANCE UNLESS OTHERWISE SPECIFIED: 一般公差

0 < x ≤ 10	: ±0.2
10 < x ≤ 30	: ±0.25
30 < x ≤ 100	: ±0.3
ANGLE ; 角度	: ±0.3°

1. 嵌合相手ハウジング型番 ; 917319
2. 内装するリセコンタクト型番 ; 917308
3. 適用製品規格番号 ; 108-5426
4. 取扱説明書 ; 412-5653-1

1. THE MATING PLUG HSG P/N 917319
2. APPLIED CONTACT P/N 917308
3. APPLICABLE PRODUCT SPEC No.108-5426
4. INSTRUCTION SHEET:412-5653

YELLOW	917318-8
GRAY	917318-7
BLACK	917318-6
NATURAL	917318-5
LIGHT GREEN	917318-4
COLOR	PART NUMBER

THIS DRAWING IS A CONTROLLED DOCUMENT.		DWN	31JUL02		 TE Connectivity											
DIMENSIONS: 単位: 耗 mm		CHK	02AUG02													
TOLERANCES UNLESS OTHERWISE SPECIFIED: 一般公差		APVD	02AUG02													
<table border="1"> <tr><td>0 PLC</td><td>± -</td></tr> <tr><td>1 PLC</td><td>± -</td></tr> <tr><td>2 PLC</td><td>± -</td></tr> <tr><td>3 PLC</td><td>± -</td></tr> <tr><td>4 PLC</td><td>± -</td></tr> <tr><td>ANGLES</td><td>± -</td></tr> </table>		0 PLC	± -	1 PLC		± -	2 PLC	± -	3 PLC	± -	4 PLC	± -	ANGLES	± -	NAME 名称	
0 PLC	± -															
1 PLC	± -															
2 PLC	± -															
3 PLC	± -															
4 PLC	± -															
ANGLES	± -															
MATERIAL 材料 PBT G		FINISH 仕上		RESTRICTED TO												
FINISH 仕上		SEE TABLE		SIZE	CAGE CODE	DRAWING NO 番号	RESTRICTED TO									
ANGLE ; 角度		SEE TABLE		WEIGHT	A300779		REV									
ANGLE ; 角度		SEE TABLE		0.85g		C-917318	D1									
ANGLE ; 角度		SEE TABLE		CUSTOMER DRAWING		SCALE 尺度	SHEET									
ANGLE ; 角度		SEE TABLE		CUSTOMER DRAWING		5:1	1 OF 1									

Mouser Electronics

Authorized Distributor

Click to View Pricing, Inventory, Delivery & Lifecycle Information:

[TE Connectivity:](#)

[917318-8](#)