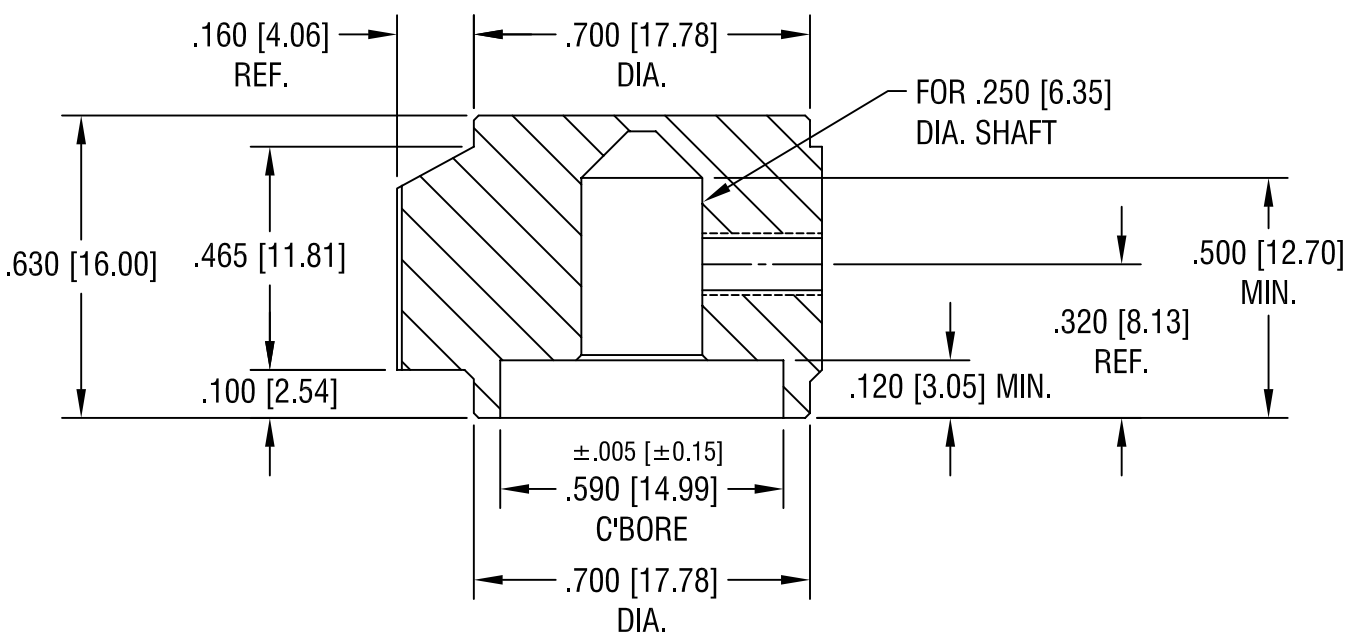
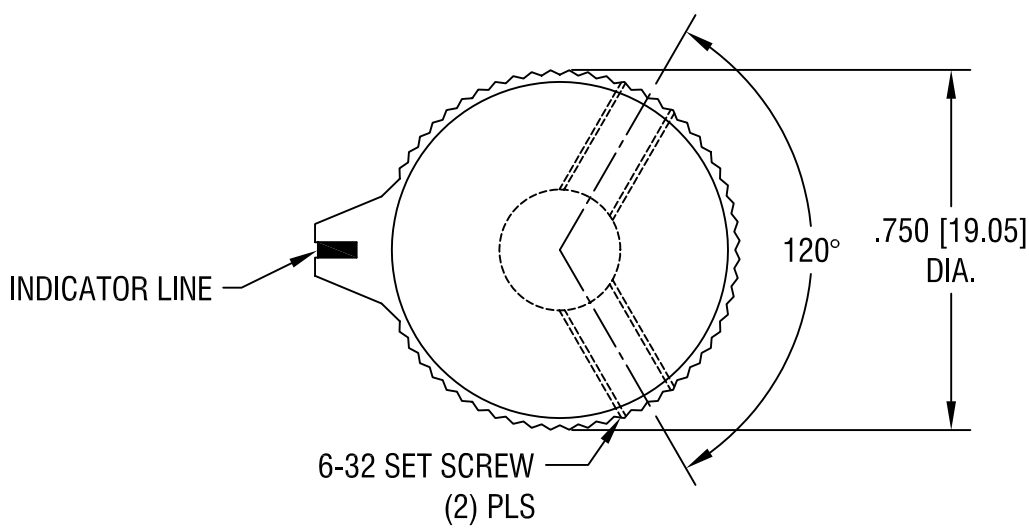


THIS DOCUMENT IS THE PROPERTY OF KEYSTONE ELECTRONICS CORP. AND SHALL NOT BE REPRODUCED, DISTRIBUTED OR USED AS A BASIS FOR MANUFACTURE WITHOUT PRIOR WRITTEN PERMISSION FROM KEYSTONE ELECTRONICS CORP.



NOTES:

1. KNOB: MAT'L: ALUMINUM  
FINISH: SEE CHART
2. INDICATOR PAINT LINE ON TOP & SIDE OF KNOB, SEE CHART FOR COLOR.

PART NUMBER	LINE COLOR (TOP & SIDE)	FINISH DESCRIPTION
8546	BLACK	CLEAR ANODIZED
8547	WHITE	BLACK ANODIZED

**KEYSTONE ELECTRONICS CORP.**  
ASTORIA, N.Y. 11105-2017

PART NAME				KNOB			
MATERIAL				AS NOTED			
FINISH		AS NOTED		DRN BY	BOONE	DATE	1.2.07
				APP'D	LN	SCALE	2.5X
TOLERANCES		INCH [MM]		CODE		DWG NO.	
DECIMAL		± .015 [± 0.38]		C/M		8546-8547	
		ANGULAR ± 1°					
		UNLESS OTHERWISE SPECIFIED					

DATE	DESCRIPTION	REV.
------	-------------	------

# Mouser Electronics

Authorized Distributor

Click to View Pricing, Inventory, Delivery & Lifecycle Information:

[Keystone Electronics:](#)

[8546](#) [8547](#)