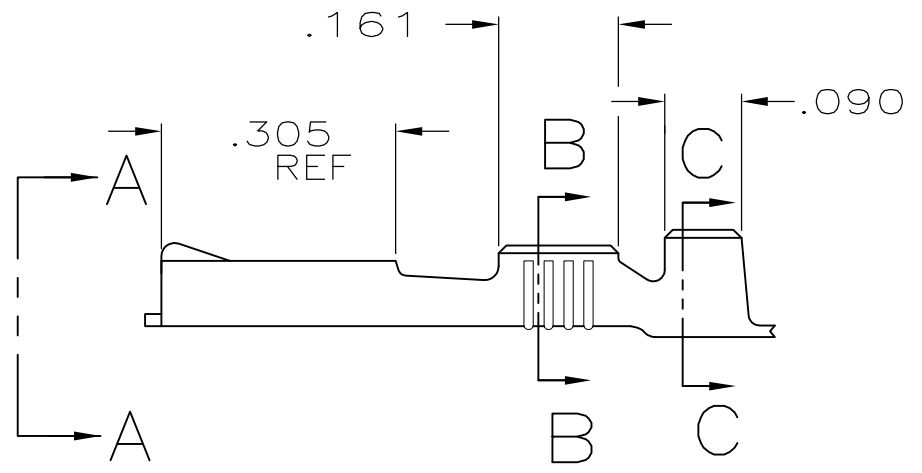
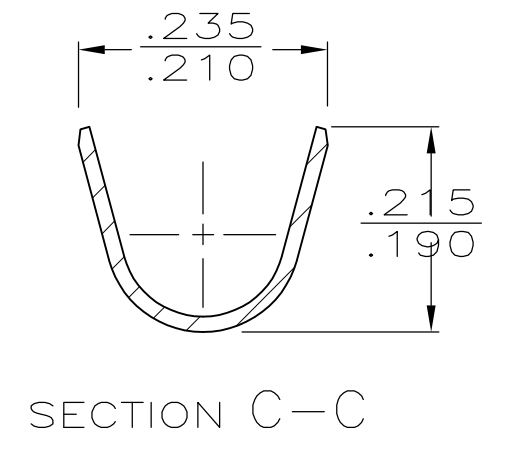
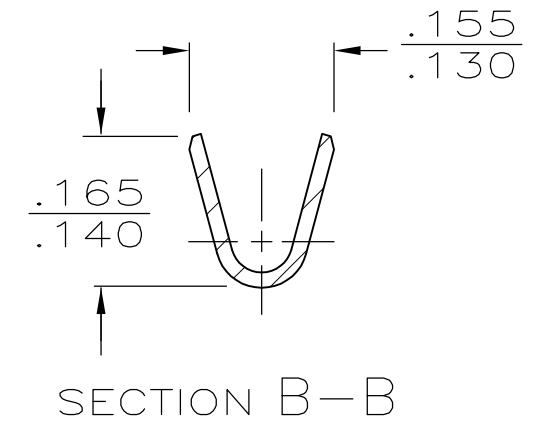
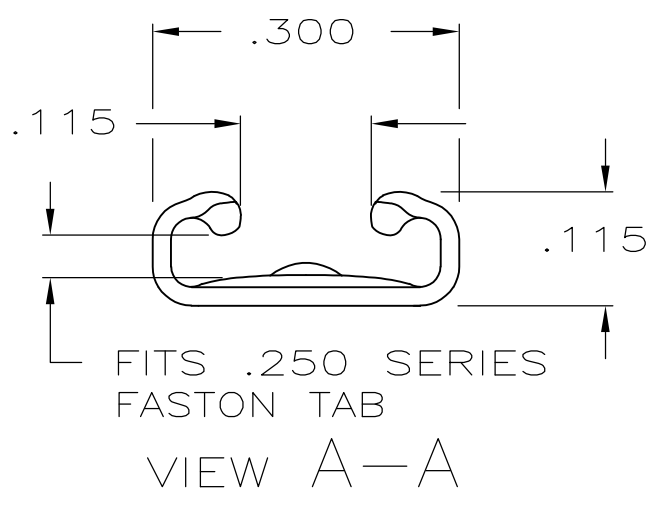
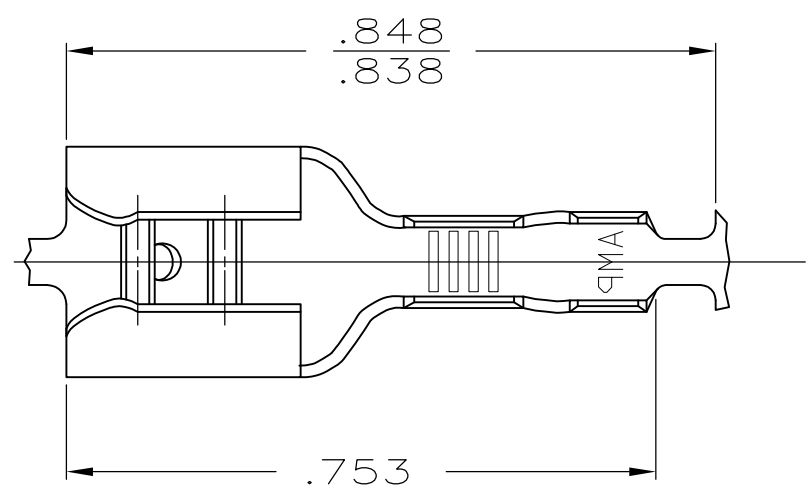


THIS DRAWING IS UNPUBLISHED. RELEASED FOR PUBLICATION  
 © COPYRIGHT - By - ALL RIGHTS RESERVED.

LOC	DIST	REVISIONS			
P	LTR	DESCRIPTION	DATE	DWN	APVD
AF	50	U	REVISED PER ECR-12-013445	09NOV12	KH PD

- 1 CONTINUOUS STRIP ON REELS.
- 2 MATING TAB THK IS .032
- 3 WIRE SIZE IS #18-#14 AWG.
- 4 INSULATION RANGE IS .120-.170 DIA. ±.001
- 5 PRELIMINARY - NOT FOR PRODUCTION
- 6 REDUCED PACKAGE QUANTITY



OBSOLETE

TIN	.016±.001 BRASS	6/5	42660-6
NICKEL	.016±.001 STEEL	5	42660-5
PRE-TIN	.016±.001 BRASS		42660-4
TIN	BRASS		42660-2
	BRASS		42660-1
FINISH	MATERIAL		PART NO

THIS DRAWING IS A CONTROLLED DOCUMENT.		DWN	JR RUTH	4/17/86	<b>STE</b> TE Connectivity		
DIMENSIONS: INCHES		CHK	G YETTER	4/17/86			
TOLERANCES UNLESS OTHERWISE SPECIFIED:		APVD	C MEYERS	4/17/86	NAME		
0 PLC ± -		PRODUCT SPEC		RECEPTACLE FASTON™ .250 SERIES			
1 PLC ± -		APPLICATION SPEC		SIZE	CAGE CODE	DRAWING NO	RESTRICTED TO
2 PLC ± -		WEIGHT		A300779		C-42660	-
3 PLC ± .015		CUSTOMER DRAWING		SCALE	NTS	SHEET	1 OF 1
4 PLC ± -		MATERIAL		SEE ABOVE		REV	U
ANGLES ± -		FINISH		SEE ABOVE			
SEE ABOVE		SEE ABOVE					

# Mouser Electronics

Authorized Distributor

Click to View Pricing, Inventory, Delivery & Lifecycle Information:

[TE Connectivity:](#)

[42660-2](#) [42660-2 \(CUT STRIP\)](#) [42660-2 \(MOUSER REEL\)](#)