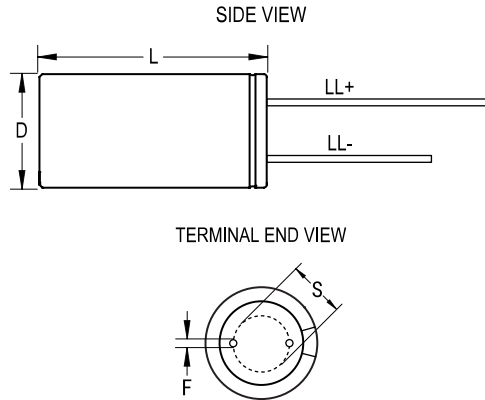


ESG, Aluminum Electrolytic, 22 uF, 20%, 400 VDC, -40/+105°C, Lead Spacing = 5mm



General Information	
Supplier:	KEMET
Series:	ESG
Dielectric:	Aluminum Electrolytic
Description:	Long Life Single Ended Aluminum Electrolytic
Features:	Long Life
RoHS:	Yes
Lead:	Wire Leads

Dimensions	
D	13mm +/-0.5mm
L	25mm +2mm
S	5mm +/-0.5mm
LL Negative	15mm MIN
LL Positive	20mm MIN
F	0.6mm NOM

Specifications	
Capacitance:	22 uF
Capacitance Tolerance:	20%
Voltage DC:	400 VDC, 450 VDC (Surge)
Temperature Range:	-40/+105°C
Rated Temperature:	105°C
Life:	5000 Hrs
Dissipation Factor:	24.00% 120Hz 20c
Ripple Current:	170 mAmps (120Hz 105C)
Leakage Current:	538 uA (2min 20°C)
Impedance Ratio at -25C:	5
Impedance Ratio at -40C:	6

Packaging Specifications	
Packaging:	Bulk, Bag
Packaging Quantity:	1600