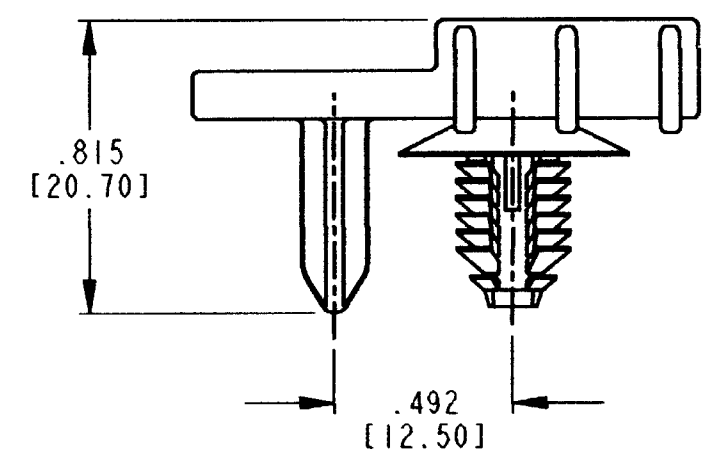
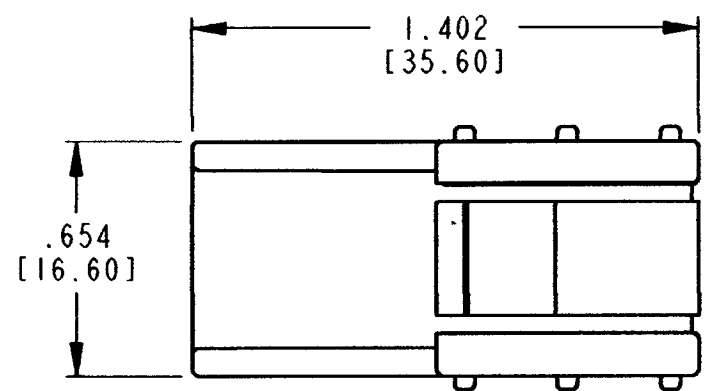
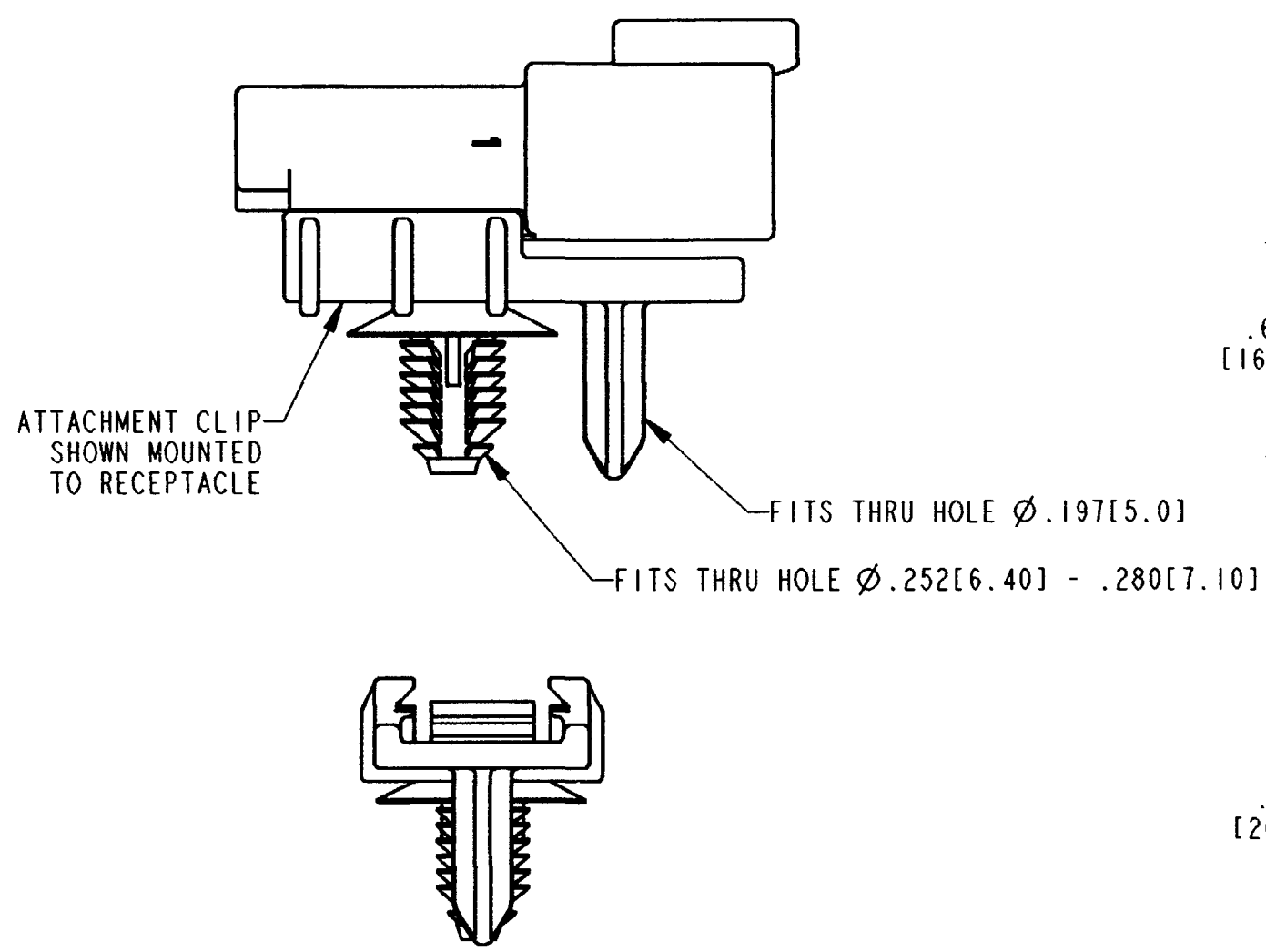


REV
NC 1011-310-0205

| REVISIONS | | | |
|-----------|-----------------------------|---------|----------|
| SYM | DESCRIPTION | DATE | APPROVED |
| NC | NEW RELEASE PER E.O. P19587 | 7-23-07 | RDR |
| | | | |
| | | | |



- NOTES:
1. ALL DIMENSIONS ARE IN INCHES [MILLIMETERS].
 2. ALL DIMENSIONS ARE $\pm .025$ [0.63] UNLESS OTHERWISE SPECIFIED.
 3. MATERIAL: PLASTIC; COLOR: BLACK
 4. THIS CLIP MATES WITH DT04-2P/3P/4P/6P/12P AND DTM04-2P THRU 12P.
 5. RECOMMENDED PANEL THICKNESS: .028[0.70] - .201[5.10].

| SIGNATURE & DATE | |
|------------------|------------------------|
| DR | R. MESSENGER 7/13/07 |
| CHK | Jami C. Gantel 7/20/07 |
| PE | A. Weber 7/16/07 |
| APPD | J. Beard 7/19/07 |
| SCALE | NONE WT |

ATTACHMENT CLIP
FOR RECEPTACLES
FIR TREE STUD MOUNT
DT & DTM SERIES

ENVELOPE

| | |
|---|-----------------------|
| EP | MATL. CODE |
| 3850 INDUSTRIAL AVE. HEMET, CA 92545 | |
| DEUTSCH INDUSTRIAL | |
| B | 1011-310-0205 |
| DWG SIZE | CODE 11139 SHEET OF |

Mouser Electronics

Authorized Distributor

Click to View Pricing, Inventory, Delivery & Lifecycle Information:

[TE Connectivity:](#)

[1011-310-0205](#)