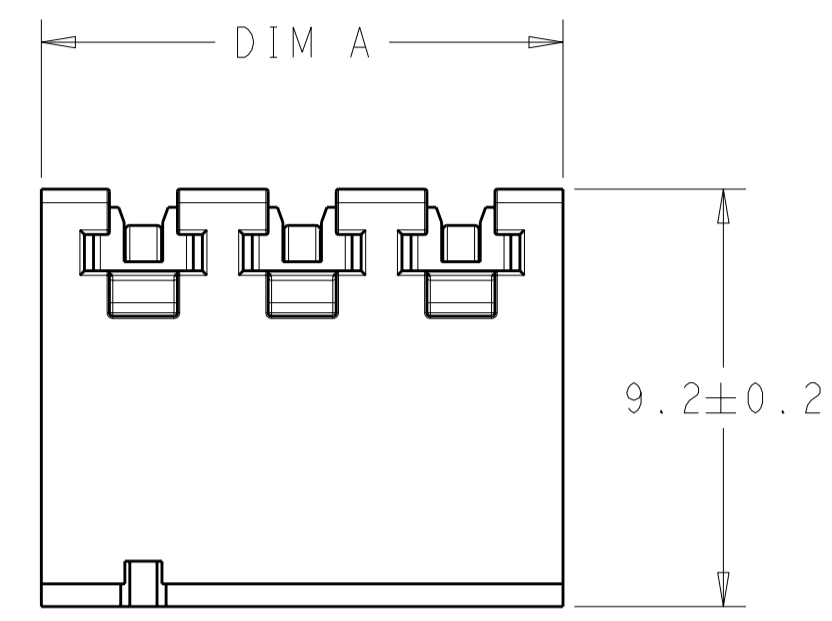
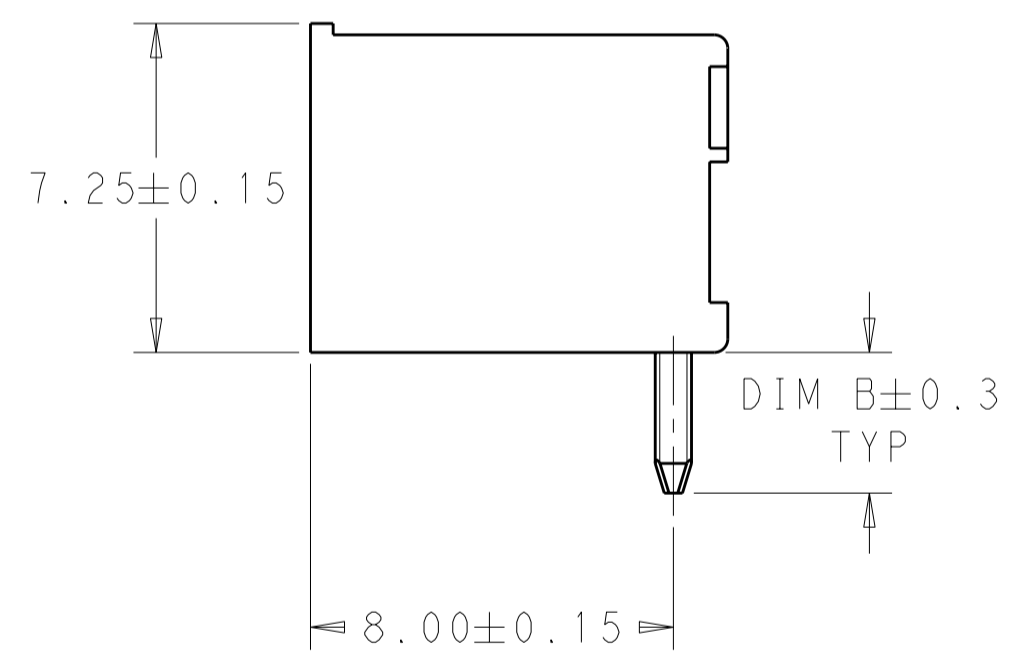
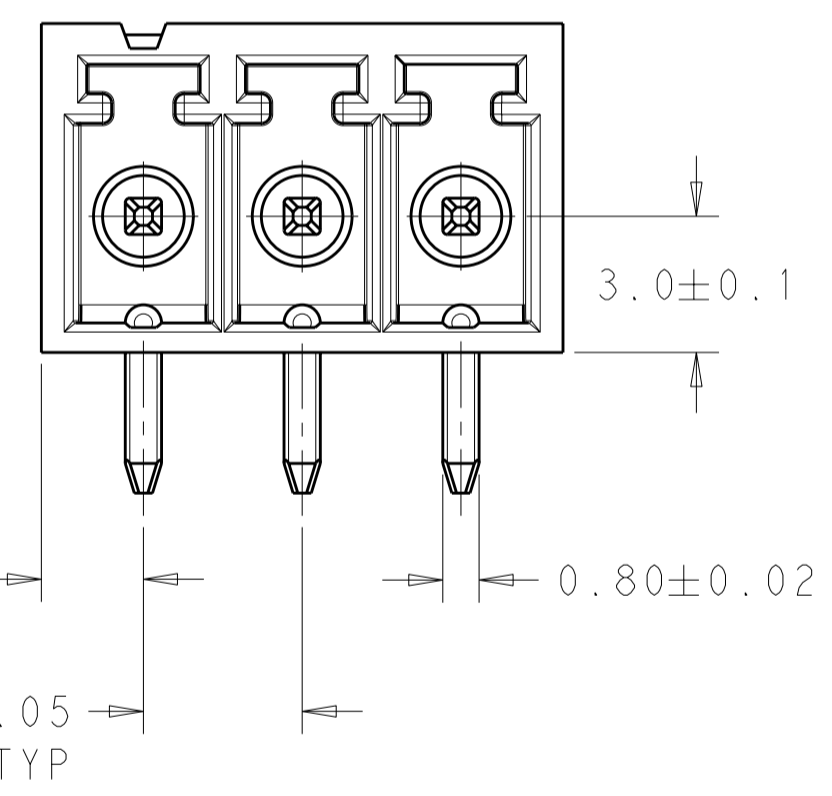


THIS DRAWING IS UNPUBLISHED. RELEASED FOR PUBLICATION 20
 © COPYRIGHT 20 BY TYCO ELECTRONICS CORPORATION. ALL INTERNATIONAL RIGHTS RESERVED.

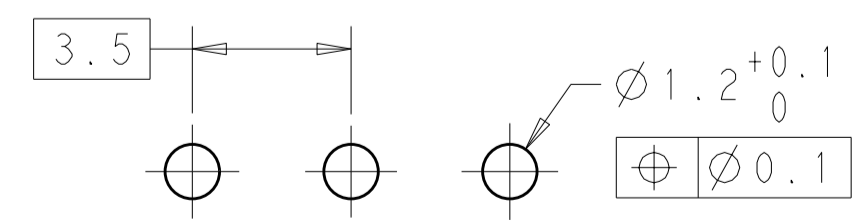
LOC		DIST		REVISIONS			
P	LTR	DESCRIPTION	DATE	DWN	APVD		
	02	REVISED PER ECO-09-027788	05JAN2010	SS	CR		



- 1 MATERIAL AND FINISH:
 HOUSING: HIGH TEMPERATURE POLYAMIDE, UL94V-0 RATED
 COLOR BLACK.
 TERMINAL: BRASS, TIN PLATED
- 2. RECOMMENDED PC BOARD THICKNESS 1.6-2.4mm.
- 3. UL RATING: 300V, 11A.
- 4 PACKAGED IN POCKET TAPE 24mm WIDE.
- 5 PRELIMINARY PART NUMBER.



5	TAPE & REEL	2.6	18.5	5	1-1776134-5
5	TAPE & REEL	2.6	11.5	3	1-1776134-3
	BULK	3.4	43.0	12	1-1776134-2
	BULK	3.4	39.5	11	1-1776134-1
	BULK	3.4	36.0	10	1-1776134-0
	BULK	3.4	32.5	9	1776134-9
	BULK	3.4	29.0	8	1776134-8
	BULK	3.4	25.5	7	1776134-7
	BULK	3.4	22.0	6	1776134-6
	BULK	3.4	18.5	5	1776134-5
	BULK	3.4	15.0	4	1776134-4
	BULK	3.4	11.5	3	1776134-3
	BULK	3.4	8.0	2	1776134-2
	PACKAGING	DIM B	DIM A	NO. OF POS.	PART NUMBER



RECOMMENDED PC BOARD LAYOUT

THIS DRAWING IS A CONTROLLED DOCUMENT FOR TYCO ELECTRONICS CORPORATION. IT IS SUBJECT TO CHANGE AND THE CONTROLLING ENGINEERING ORGANIZATION SHOULD BE CONTACTED FOR THE LATEST REVISION.		DWN S. SCHLEGEL 05JAN2010	Tyco Electronics Harrisburg, PA 17105-3608	
DIMENSIONS: mm		CHK C. RICHARD 05JAN2010	NAME TERMINAL BLOCK HEADER ASSEMBLY 90 DEGREE, CLOSED ENDS, 3.5mm PITCH	
TOLERANCES UNLESS OTHERWISE SPECIFIED: 0 PLC ± 1 PLC ±0.3 2 PLC ±0.25 3 PLC ± 4 PLC ± ANGLES ±2		APVD C. RICHARD 05JAN2010	PRODUCT SPEC -	
MATERIAL		APPLICATION SPEC -	WEIGHT -	RESTRICTED TO -
-		CUSTOMER DRAWING	SCALE 6:1	SHEET 1 OF 1 REV 02

Mouser Electronics

Authorized Distributor

Click to View Pricing, Inventory, Delivery & Lifecycle Information:

[TE Connectivity:](#)

[1776134-8](#)