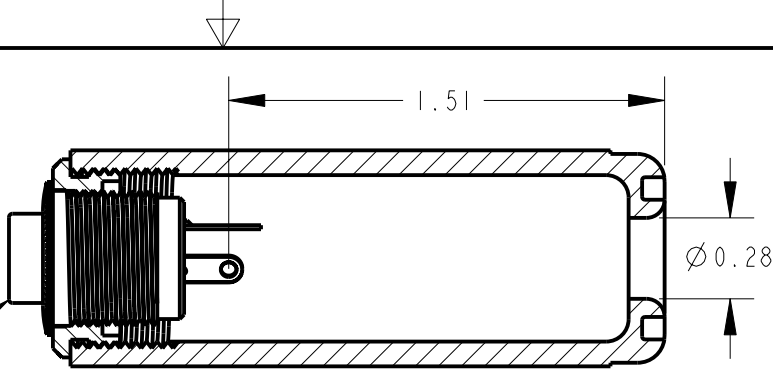
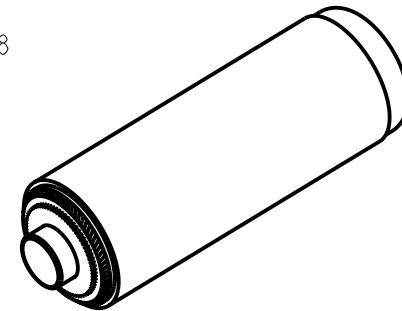


PART NUMBER	BUTTON COLOR
EP903	RED
EP913	BLACK

BUTTON COLOR
SEE TABLE



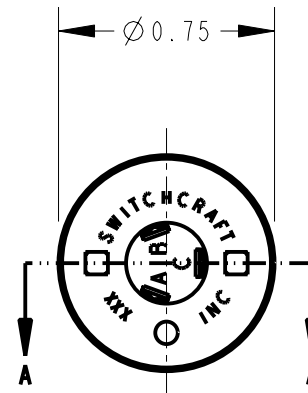
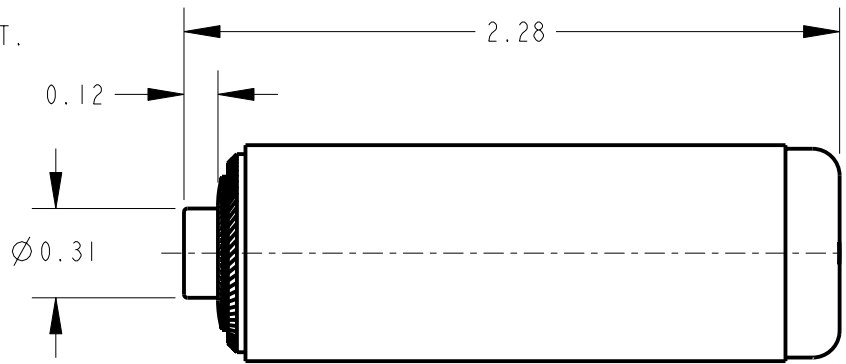
SECTION A-A



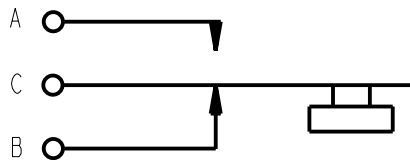
NOTES:

- MATERIALS:
 PUSHBUTTON - THERMOPLASTIC, SEE TABLE FOR COLOR
 SWITCH HOUSING & ADAPTER - COPPER ALLOY, NICKEL PLATED
 SWITCH TERMINALS - COPPER ALLOY, SILVER PLATED
 SWITCH SPRING - STAINLESS STEEL
 SWITCH INSULATORS - PHENOLIC
 HANDLE - THERMOPLASTIC, BLACK

2. THESE PRODUCTS ARE RoHS COMPLIANT.



CUSTOMER DRAWING



SCHEMATIC

					★ STAR SYMBOL DENOTES CRITICAL DIMENSION	THIS DRAWING DESCRIBES A DESIGN CONSIDERED PROPRIETARY IN NATURE, DEVELOPED AND MANUFACTURED BY SWITCHCRAFT INC. AND IS RELEASED ON A CONFIDENTIAL BASIS FOR IDENTIFICATION PURPOSES ONLY.					
					UNLESS OTHERWISE SPECIFIED	SIZE	WIDTH	MULT	LBS/M	TEMPER	
					1. ALL DIMENSIONS IN INCHES - TWO PLACE DECIMALS ±0.01 - THREE PLACE DECIMALS ±0.005 - ANGLES ±1° - ALL DIA. CONCENTRIC WITHIN 0.005 T.I.R.	FINISH		MATERIAL			
					2. FEATURES ON THE SAME CENTERLINE MUST BE ALIGNED WITHIN ±0.002	SPEC No.		SPEC No.			
					3. REMOVE ALL BURRS	FIRST USED ON		SCALE		Switchcraft®	
								3:2			
E	21131	3-18-13	TO	TJK		DATE DRAWN	BY	CHKD	APVD		
						18-Mar-13	TO	TO	TJK		
								3-18-13	3-19-13		
REV	ECO NUMBER	DATE	BY	APVD		NAME		PART No.		REV	
					DO NOT SCALE DRAWING	CORD SWITCH, RoHS		EP903_EP913		E	
REVISIONS											



Mouser Electronics

Authorized Distributor

Click to View Pricing, Inventory, Delivery & Lifecycle Information:

[Switchcraft:](#)

[EP903](#) [EP913](#)