

MATERIALS AND FINISHES

SMA CONNECTOR

BODY BRASS
PLATED GOLD

CENTER CONTACT PHOSPHOR BRONZE
PLATED GOLD

INSULATOR TEFLON

JAM NUT BRASS
PLATED GOLD

LOCK WASHER SPCC
PLATED GOLD

MCRF CONNECTOR

HOUSING PHOSPHOR BRONZE
PLATED SEE TABLE

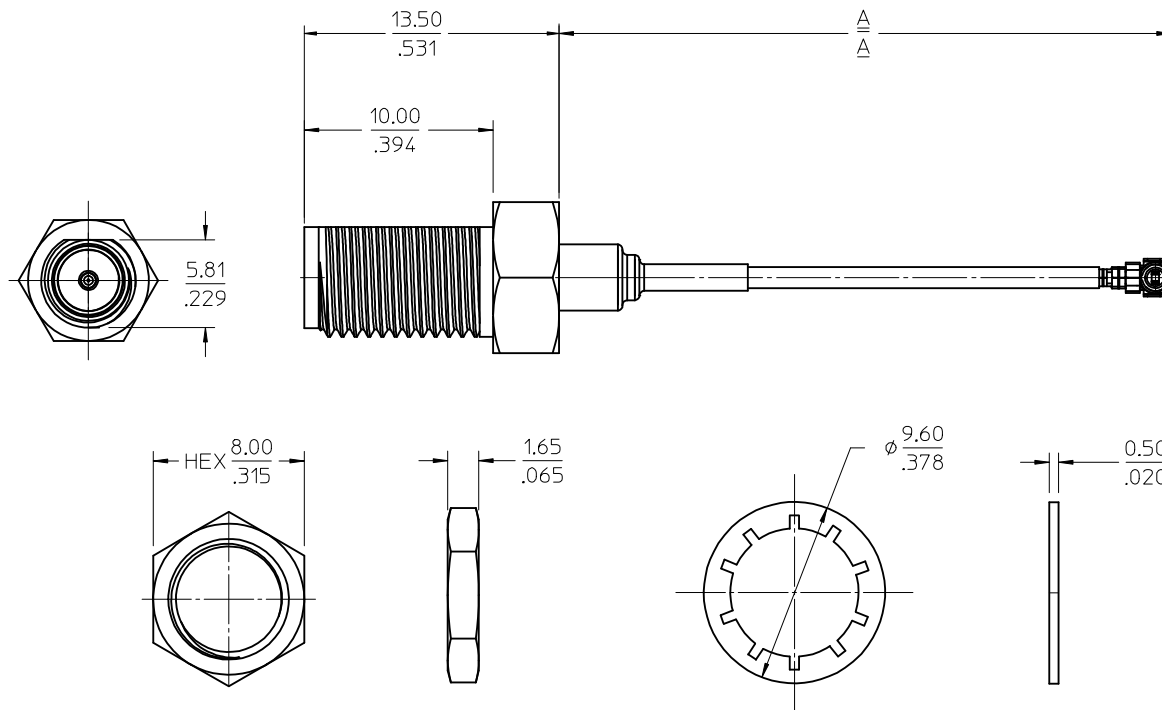
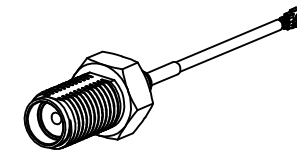
HOUSING PBT

CENTER CONTACT PHOSPHOR BRONZE
PLATED GOLD

CABLE

1.13 CABLE OR EQUIVALENT
COLOR GRAY

SHRINK TUBE
VERSAFIT V2



OBSELETE

89761-3417	GOLD	7.087±.197	180.00±5.00	POLY BAG
89761-3416	GOLD	6.693±.197	170.00±5.00	POLY BAG
89761-3415	GOLD	3.000±.197	76.20±5.00	POLY BAG
89761-3414	GOLD	5.905±.197	150.00±5.00	POLY BAG
89761-3413	GOLD	11.811±.197	300.00±5.00	POLY BAG
89761-3412	GOLD	3.937±.197	100.00±5.00	POLY BAG
89761-3411	GOLD	7.874±.197	200.00±5.00	POLY BAG
89761-3440	SILVER	3.937±.197	100.00±5.00	-----
PART NO.	UFL PLATING	IN	MM	PACKING

DIMENSION A

MIL-STD-348A, FIG. 310.2	INTERFACE
SPECIFICATION	DESCRIPTION

CHG: ADDED PACKING DESCRIPTION EWR RF16-E018 EC NO: URF2016-0519 DRWN: YCHENG 2016/01/18 CHKD: APPR: YCHENG 2016/01/19 DESCRIPTION	QUALITY SYMBOLS ▽=0 ▽=0	GENERAL TOLERANCES (UNLESS SPECIFIED)	DIMENSION STYLE MM/IN	SCALE	DESIGN UNITS METRIC	THIRD ANGLE PROJECTION																
		<table border="1"> <tr> <th></th> <th>mm</th> <th>INCH</th> </tr> <tr> <td>4 PLACES</td> <td>± .005</td> <td>± .0005</td> </tr> <tr> <td>3 PLACES</td> <td>± .004</td> <td>± .0004</td> </tr> <tr> <td>2 PLACES</td> <td>± .003</td> <td>± .0003</td> </tr> <tr> <td>1 PLACE</td> <td>± .002</td> <td>± .0002</td> </tr> </table>			mm	INCH	4 PLACES	± .005	± .0005	3 PLACES	± .004	± .0004	2 PLACES	± .003	± .0003	1 PLACE	± .002	± .0002	DRAWN BY EVITA	DATE 2008/12/01	TITLE SMA JACK TO MCRF 1.13 CABLE CA-SMA/MCRF	SHEET NO. 1 OF 1
			mm	INCH																		
		4 PLACES	± .005	± .0005																		
3 PLACES	± .004	± .0004																				
2 PLACES	± .003	± .0003																				
1 PLACE	± .002	± .0002																				
ANGULAR ± 2 °		CHECKED BY JOANNE	DATE 2008/12/01	APPROVED BY MISEN	DATE 2008/12/01	MOLEX INCORPORATED DOCUMENT NO. SD-89761-341																
DRAFT WHERE APPLICABLE MUST REMAIN WITHIN DIMENSIONS		SEE TABLE		THIS DRAWING CONTAINS INFORMATION THAT IS PROPRIETARY TO MOLEX INCORPORATED AND SHOULD NOT BE USED WITHOUT WRITTEN PERMISSION																		
A10		SIZE C																				

MATERIALS AND FINISHES

SMA CONNECTOR

BODY BRASS
PLATED GOLD

CENTER CONTACT PHOSPHOR BRONZE
PLATED GOLD

INSULATOR TEFLON

JAM NUT BRASS
PLATED GOLD

LOCK WASHER SPCC
PLATED GOLD

MCRF CONNECTOR

HOUSING PHOSPHOR BRONZE
PLATED SEE TABLE

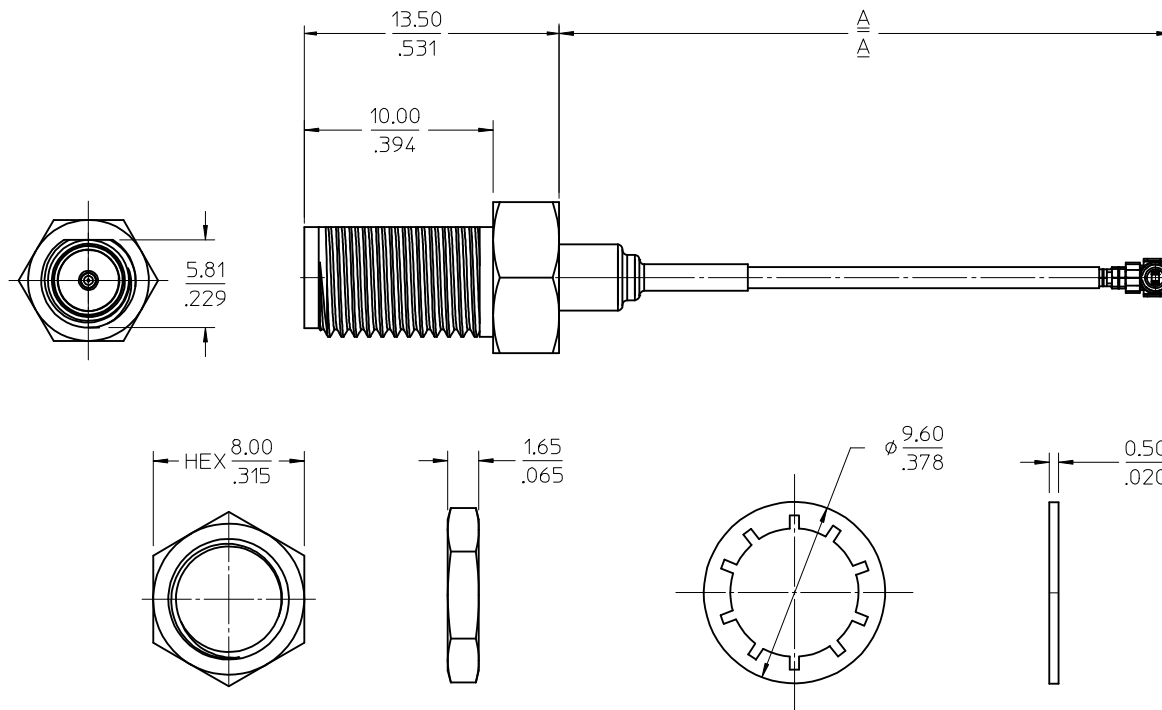
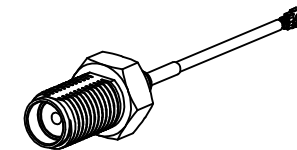
HOUSING PBT

CENTER CONTACT PHOSPHOR BRONZE
PLATED GOLD

CABLE

1.13 CABLE OR EQUIVALENT
COLOR GRAY

SHRINK TUBE
VERSAFIT V2



OBSOLETE

89761-3417	GOLD	7.087±.197	180.00±5.00	POLY BAG
89761-3416	GOLD	6.693±.197	170.00±5.00	POLY BAG
89761-3415	GOLD	3.000±.197	76.20±5.00	POLY BAG
89761-3414	GOLD	5.905±.197	150.00±5.00	POLY BAG
89761-3413	GOLD	11.811±.197	300.00±5.00	POLY BAG
89761-3412	GOLD	3.937±.197	100.00±5.00	POLY BAG
89761-3411	GOLD	7.874±.197	200.00±5.00	POLY BAG
89761-3440	SILVER	3.937±.197	100.00±5.00	-----
PART NO.	UFL PLATING	IN	MM	PACKING

MIL-STD-348A, FIG. 310.2	INTERFACE
SPECIFICATION	DESCRIPTION

CHG: ADDED PACKING	DESCRIPTION
DESCRIPTION	DESCRIPTION
EWR RF16-E018	DESCRIPTION
EC NO: URF2016-0519	DESCRIPTION
DRWN: YCHENG	DESCRIPTION
CHKD:	DESCRIPTION
APPR: YCHENG	DESCRIPTION
REV: A10	DESCRIPTION

QUALITY SYMBOLS	GENERAL TOLERANCES (UNLESS SPECIFIED)
▽=0	mm INCH
▽=0	4 PLACES ± --- ± ---
	3 PLACES ± --- ± ---
	2 PLACES ± --- ± ---
	1 PLACE ± --- ± ---
	ANGULAR ± 2 °

DIMENSION STYLE	SCALE	DESIGN UNITS	THIRD ANGLE PROJECTION
MM/IN		METRIC	
DRAWN BY	DATE	TITLE	
EVITA	2008/12/01	SMA JACK TO MCRF 1.13 CABLE	
CHECKED BY	DATE	CA-SMA/MCRF	
JOANNE	2008/12/01		
APPROVED BY	DATE		
MISEN	2008/12/01		
MATERIAL NO.	DOCUMENT NO.		
SEE TABLE	SD-89761-341		

DRAFT WHERE APPLICABLE MUST REMAIN WITHIN DIMENSIONS	SIZE	THIS DRAWING CONTAINS INFORMATION THAT IS PROPRIETARY TO MOLEX INCORPORATED AND SHOULD NOT BE USED WITHOUT WRITTEN PERMISSION
	C	