

4

3

2

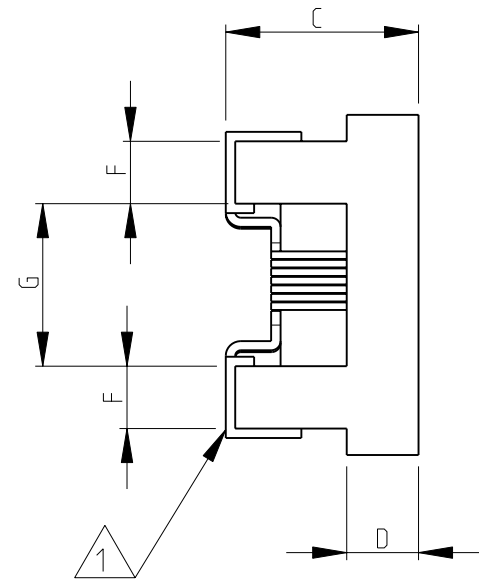
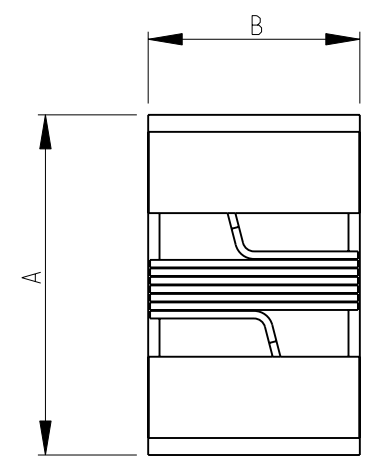
1

THIS DRAWING IS UNPUBLISHED. RELEASED FOR PUBLICATION 2008
 © COPYRIGHT 2008 BY - ALL RIGHTS RESERVED.

LOC	DIST	REVISIONS				
P	LTR	DESCRIPTION	DATE	DWN	APVD	
E	B	BA1	REVISED PER ECO-11-005150	29MAR2011	RK HMR	

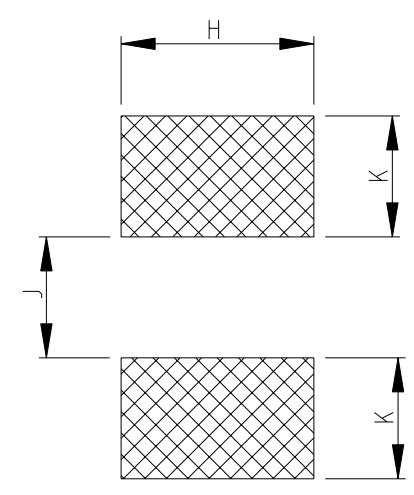
SERIES 36501J, 36501E AS SHOWN

- 1 TERMINAL WRAPAROUND: 0.007"(0.18mm) APPROX. ON BOTH ENDS
- 2 AVAILABLE IN 2 DIFFERENT SERIES
- 3 FOR FURTHER INFORMATION SEE DATA SHEET FOR 3650 SERIES-LOW INDUCTANCE,HIGH FREQUENCY CHIP INDUCTOR




RoHS Compliant

RECOMMENDED LAND PATTERN FOR 36501J, 36501E SERIES



	A MAX.	B MAX.	C MAX.	D REF.	F	G	H	K	J
36501E	1.27	0.76	0.61	0.15	0.23	0.56	0.66	0.50	0.46
36501J	1.80	1.12	1.02	0.38	0.33	0.86	1.02	0.64	0.64

THIS DRAWING IS A CONTROLLED DOCUMENT.	
DIMENSIONS: mm	TOLERANCES UNLESS OTHERWISE SPECIFIED: 0 PLC ± 0.2 1 PLC ± 0.1 2 PLC ± - 3 PLC ± - 4 PLC ± - ANGLES ± 5°
MATERIAL -	FINISH -

DWN SUBHASH.M 14-NOV-08	 TE Connectivity			
CHK PRAKASH.S 14-NOV-08				
APVD STEPHEN.P 14-NOV-08				
PRODUCT SPEC -	NAME			
APPLICATION SPEC -	LOW INDUCTANCE, HIGH FREQUENCY CHIP INDUCTOR SERIES 3650			
WEIGHT -	SIZE A3	CAGE CODE 00779	DRAWING NO 1624112	RESTRICTED TO -
CUSTOMER DRAWING		SCALE 20:1	SHEET 1 OF 1	REV BA1

Mouser Electronics

Authorized Distributor

Click to View Pricing, Inventory, Delivery & Lifecycle Information:

[TE Connectivity:](#)

[36501J33NJTDG](#)