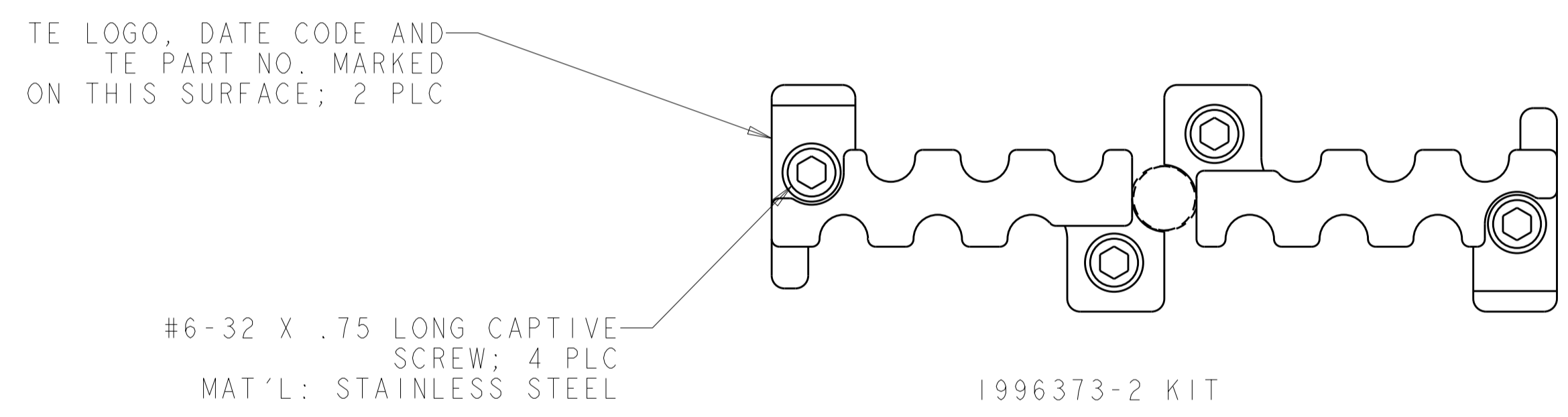
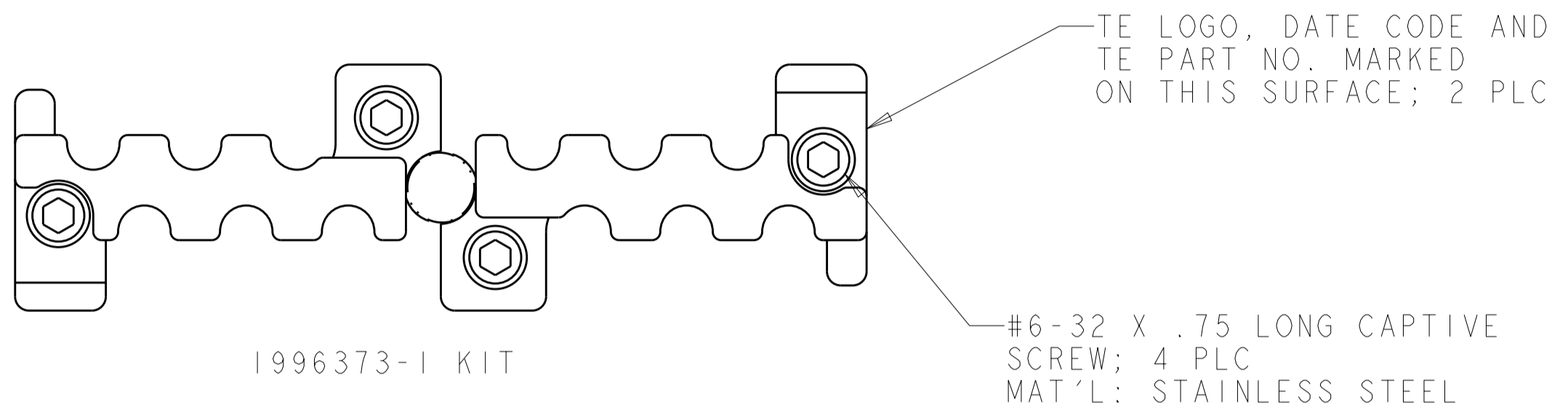


THIS DRAWING IS UNPUBLISHED. RELEASED FOR PUBLICATION
 © COPYRIGHT BY TYCO ELECTRONICS CORPORATION. ALL RIGHTS RESERVED.

LOC	DIST	REVISIONS					
DF	A5	P	LTR	DESCRIPTION	DATE	DWN	APVD
		A		RELEASED	5-8-08	CT	DM



12 POSITION PLUG	1996373-2
12 POSITION RECEPTACLE	1996373-1
USED ON	PART NO

- 1 APPLY BACKSHELL KIT TO CONNECTOR IN ACCORDANCE WITH SPEC. 114-13123.
- 2 MATERIAL: ULTEM AR9200, COLOR: BLACK.

THIS DRAWING IS A CONTROLLED DOCUMENT FOR TYCO ELECTRONICS CORPORATION. IT IS SUBJECT TO CHANGE AND THE CONTROLLING ENGINEERING ORGANIZATION SHOULD BE CONTACTED FOR THE LATEST REVISION.		DWN C.C. THOMAS 08-May-08	Tyco Electronics Harrisburg, PA 17105-3608	
DIMENSIONS: INCHES		CHK D. MILLER 11-7-07	NAME KIT, BACKSHELL, QUADRAX, 12 POSITION (PLASTIC)	
TOLERANCES UNLESS OTHERWISE SPECIFIED: 0 PLC ± 1 PLC ± 2 PLC ± 3 PLC ± 4 PLC ± ANGLES ± FINISH		APVD D. MILLER 11-7-07	RESTRICTED TO	
MATERIAL		PRODUCT SPEC -	SIZE A2	CAGE CODE 00779
		APPLICATION SPEC 114-13123	DRAWING NO 1996373	REV A
		WEIGHT -	SCALE 2:1 SHEET 1 OF 1	
		CUSTOMER DRAWING		

Mouser Electronics

Authorized Distributor

Click to View Pricing, Inventory, Delivery & Lifecycle Information:

[TE Connectivity:](#)

[1996373-1](#)