

MICRO SWITCH

FREEPORT ILLINOIS, U.S.A
A DIVISION OF HONEYWELL

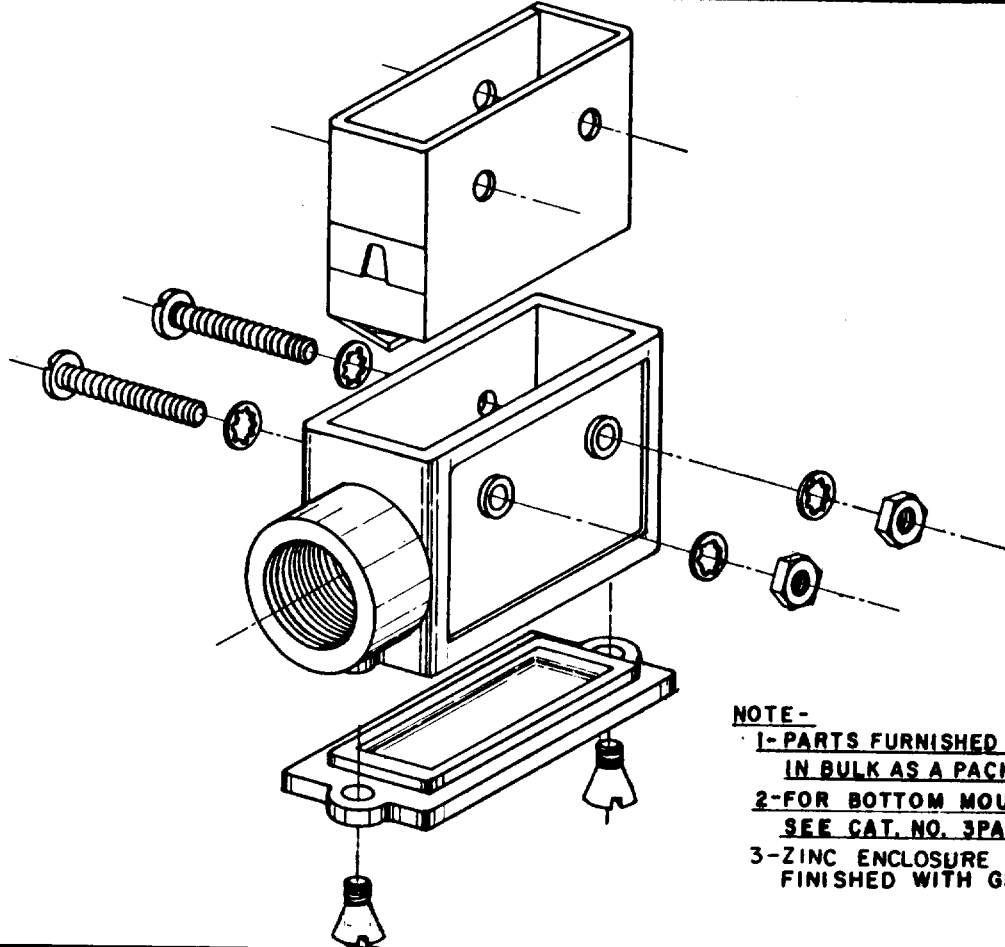
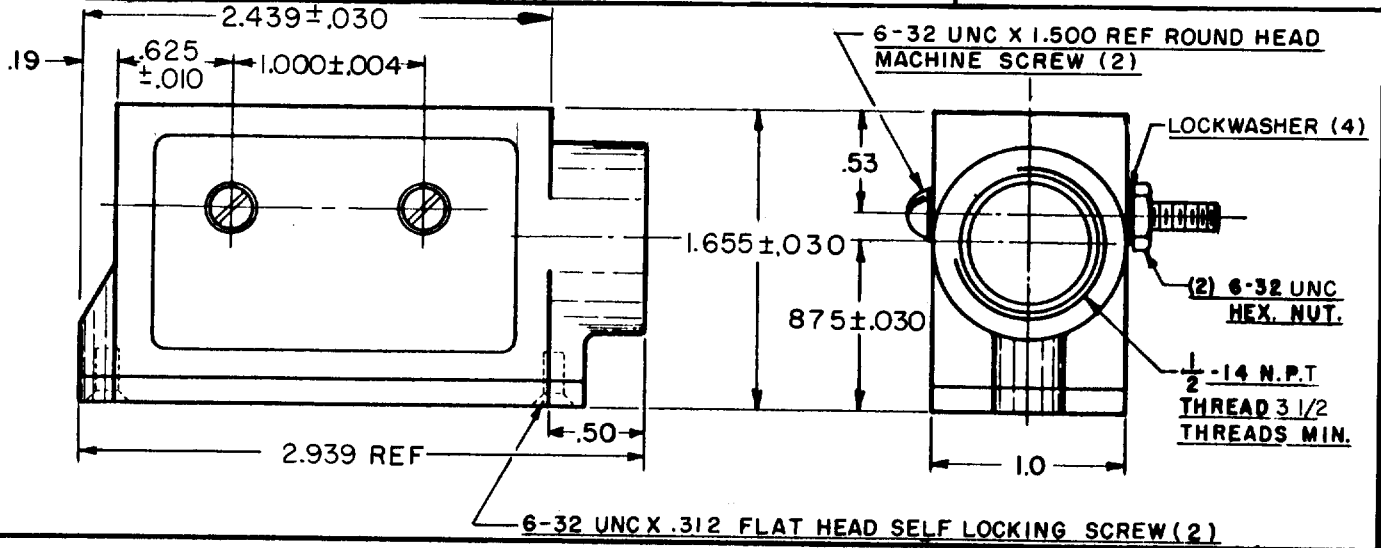
FED. MFG. CODE 91929

PACKET

CATALOG LISTING

3PAI-BP

S



NOTE -

- 1-PARTS FURNISHED UNASSEMBLED IN BULK AS A PACKET.
- 2-FOR BOTTOM MOUNTING UNIT SEE CAT. NO. 3PA2.
- 3-ZINC ENCLOSURE FINISHED WITH GRAY PAINT

THIS DRAWING COVERS A PROPRIETARY ITEM AND IS THE PROPERTY OF MICRO SWITCH, A DIVISION OF HONEYWELL. THIS DRAWING IS NOT TO BE COPIED OR USED WITHOUT THE APPROVAL OF MICRO SWITCH.

CHARACTERISTICS

ELECTRICAL DATA

SCALE FULL

DO NOT SCALE PRINT

UNLESS OTHERWISE NOTED

DIMENSIONS ARE IN INCHES

TOLERANCES ARE:

ONE PLACE	(.0)	± .030
TWO PLACE	(.00)	± .015
THREE PLACE	(.000)	± .005
ANGLES		±

WEIGHT

M 3PAI-BP
 DRAWING NUMBER
 ISSUE 3
 REVISIONS
 A C054735 TSK 25 NOV 85
 B C07304 J W 29 JUL 92
 CHECK
 L S D 10 NOV 69
 CHECK
 M B S 7 NOV 69
 DRAWN
 FO-50378-1A

Mouser Electronics

Authorized Distributor

Click to View Pricing, Inventory, Delivery & Lifecycle Information:

[Honeywell:](#)

[3PA1-BP](#)