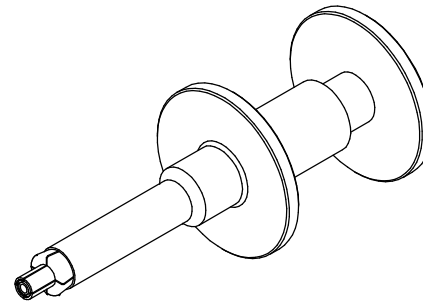
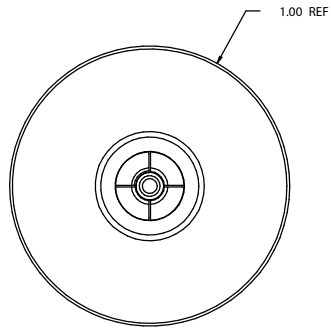


PART NUMBER	BODY	COLLET
125-0000-901	STAINLESS STEEL PASSIVATED	BERYLLIUM COPPER GOLD PLATED

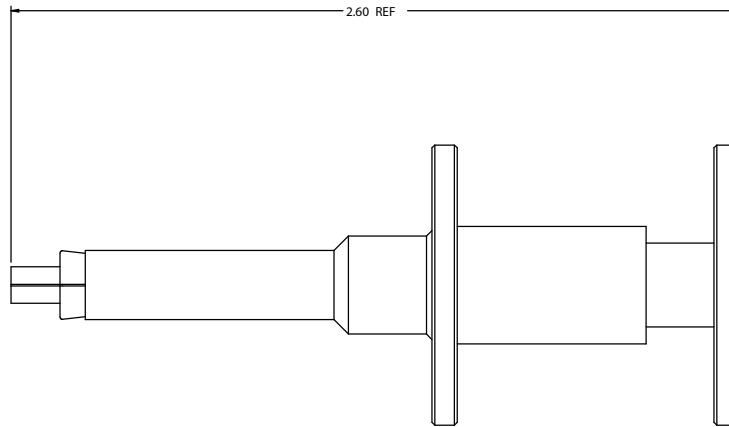
DRAWING NO. 125-0000-901	
REVISIONS	
1	RELEASE
4-9-13	ECO-13-0089



2:1



1.00 REF



2.60 REF

THIS DRAWING TO BE INTERPRETED
PER ANSI Y 14.5M - 1994

CUSTOMER COPY

TOLERANCE UNLESS OTHERWISE SPECIFIED		DRAWN BY R.SHEN	DATE 01-20-13
DECIMALS	INCH	CHECKED BY R.SHEN	DATE 01-20-13
X.X	+0.02	APPROVED BY L.MA	DATE 01-21-13
X.XX	+0.01		
X.XXX	+0.003		
ANGLES	+ 0.5	U/M	INCH



Connectivity
Solutions

TITLE
SMPM BULLET ADAPTER
INSTALLATION/EXTRACTION TOOL

THIS DRAWING WAS PRODUCED BY COMPUTER,
DO NOT SCALE DRAWING OR UPDATE MANUALLY.

SHEET 1 OF 1	DRAWING NO. 125-0000-901	SIZE C
-----------------	-----------------------------	-----------

Mouser Electronics

Authorized Distributor

Click to View Pricing, Inventory, Delivery & Lifecycle Information:

[Cinch Connectivity Solutions:](#)

[125-0701-801](#) [125-0000-901](#)