

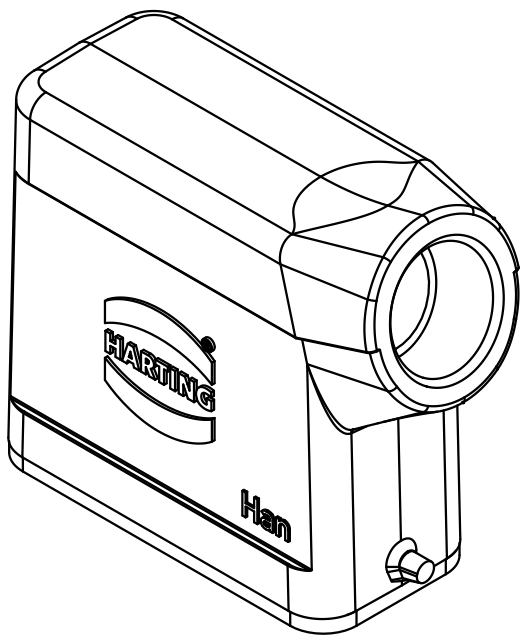
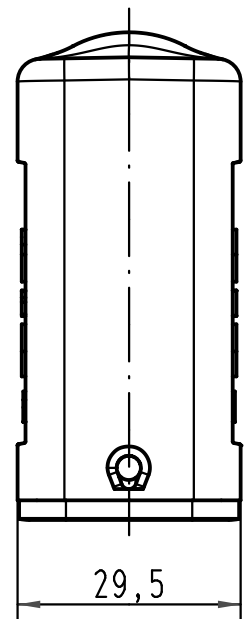
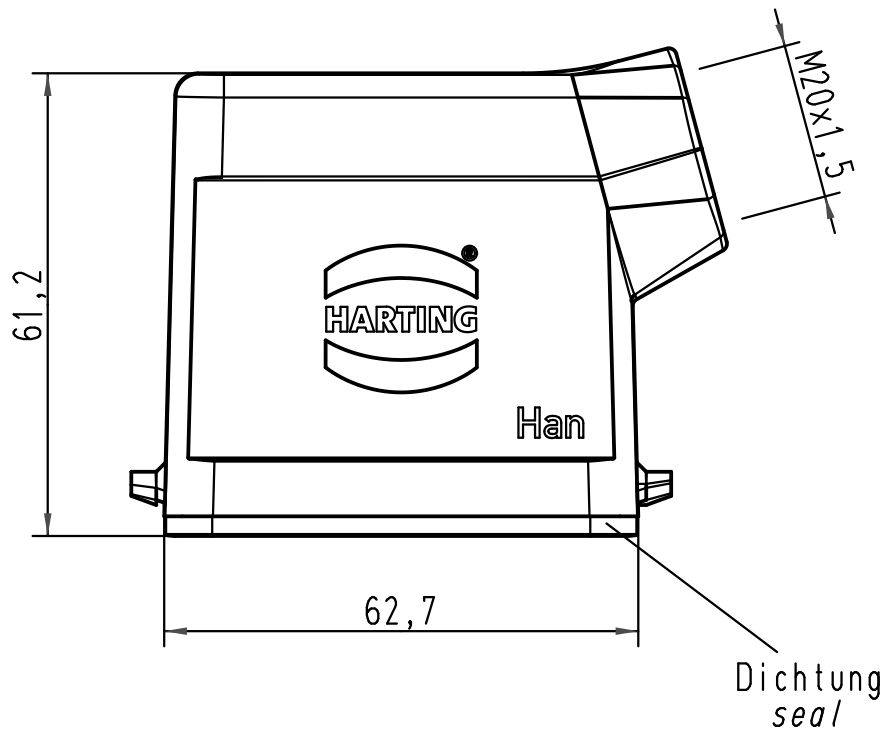
1 2 3 4 5 6

A

B

C

D



| | | | | | | | | | |
|---|------|------|---|----------|------|--|--------------------------------------|--|------------------------------------|
| All Dimensions in mm Original Size DIN A 4 | | | Techn. Character. | | | Nicht tolerierte Maße/Free size tolerances | | | |
| | | | | Dat. | Name | Maßstab/Scale 1:1 | Han 10A-gs-M20 Tüllengehäuse/hood | | |
| | | | Detail. | 02.02.10 | Rull | | | | |
| | | | Insp. | | Tie | | | | |
| | | | Stand. | | | | | | |
| A | | | HARTING Electric GmbH & Co. KG D-32339 Espelkamp | | | | | | Blatt/page |
| Mod. | Dat. | Name | | | | TB 19 20 010 1540 | | | Sub. TB 19 20 010 1540 v. 16.11.00 |

Mouser Electronics

Authorized Distributor

Click to View Pricing, Inventory, Delivery & Lifecycle Information:

[HARTING:](#)

[19200101540](#)