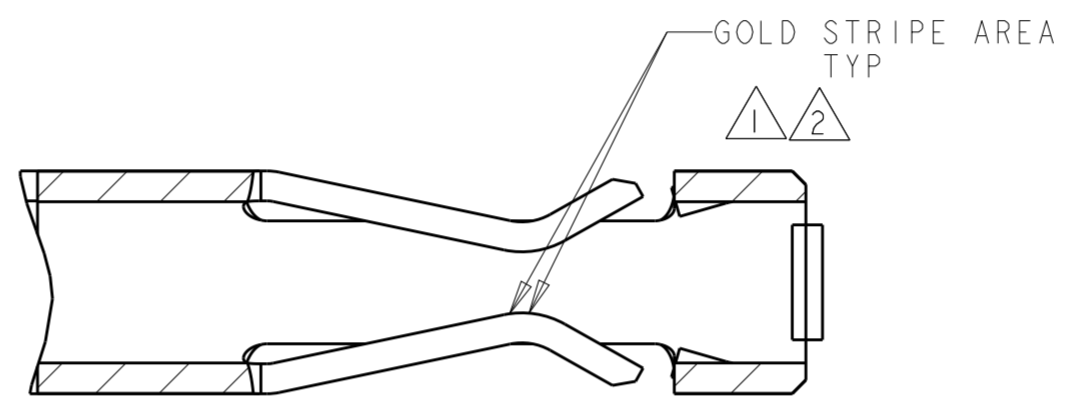
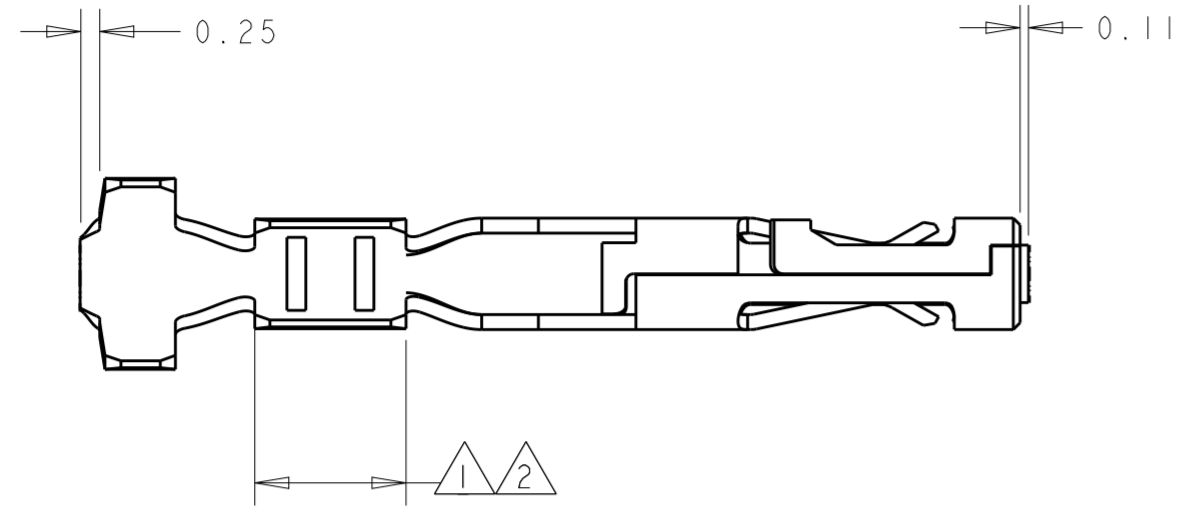
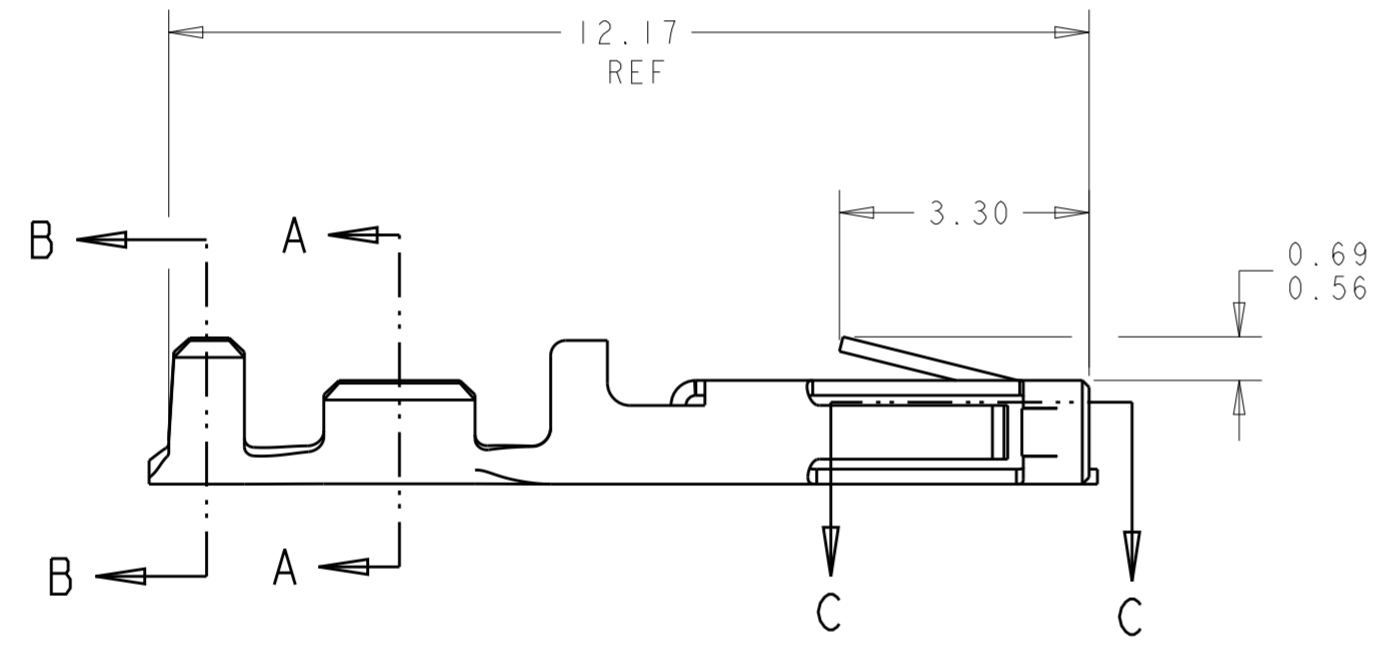


THIS DRAWING IS UNPUBLISHED. RELEASED FOR PUBLICATION  
 © COPYRIGHT 20 BY - ALL RIGHTS RESERVED.

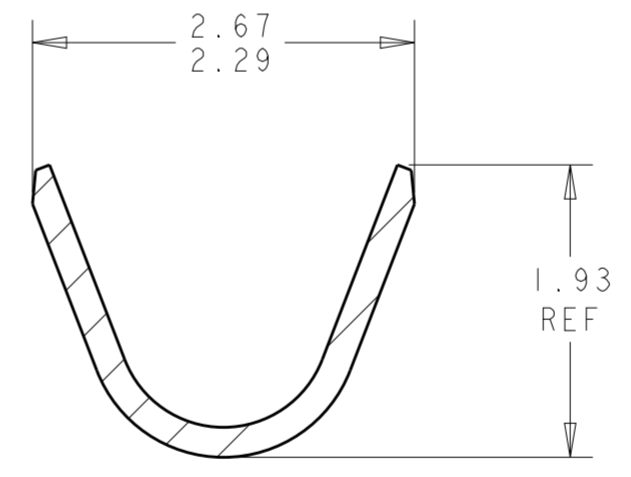
LOC	DIST	REVISIONS					
CM	53	P	LTR	DESCRIPTION	DATE	DWN	APVD
		D1		REVISED PER ECO-11-005027	16MAR2011	RK	HMR
		D2		REVISED PER ECR-18-006831	12JUN2018	JB	DZ
		D3		ECO-19-006909	03MAY2019	AP	WS



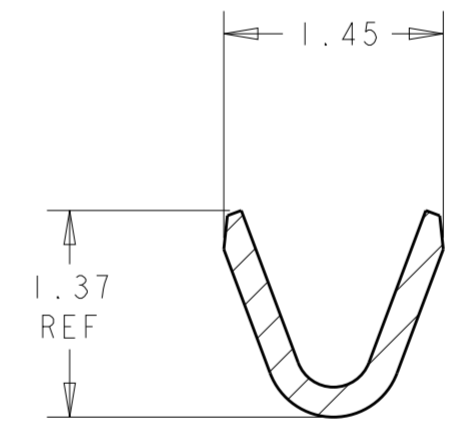
- 1 0.000762 THK GOLD STRIPE IN THE GOLD PLATE AREA, BRIGHT TIN IN THE CRIMP AREA, OVER NICKEL PLATE.
- 2 0.000381 THK GOLD STRIPE IN THE GOLD PLATE AREA, BRIGHT TIN IN THE CRIMP AREA, OVER NICKEL PLATE.
- 3 0.0015 - 0.0040 THK BRIGHT TIN.
- 4 WIRE RANGE: 26 - 30 AWG.
- 5 INSULATION RANGE 0.89 - 1.524.
- 7 0.000762 THK GOLD STRIPE IN THE GOLD PLATE AREA, BRIGHT TIN-LEAD IN THE CRIMP AREA, OVER NICKEL PLATE.
- 8 0.000381 THK GOLD STRIPE IN THE GOLD PLATE AREA, BRIGHT TIN-LEAD IN THE CRIMP AREA, OVER NICKEL PLATE.



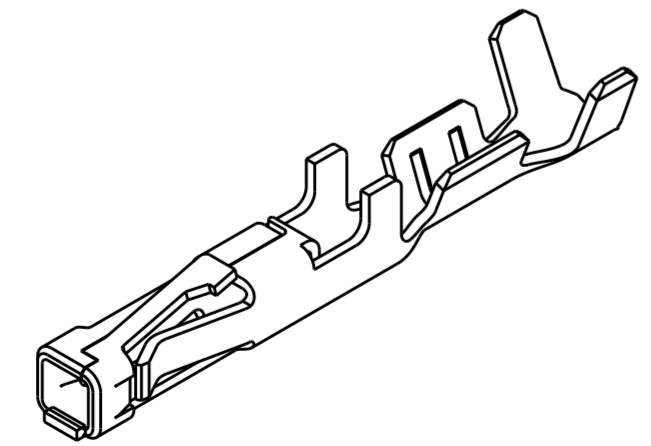
SECTION C-C  
SCALE 20:1



SECTION B-B  
SCALE 20:1



SECTION A-A  
SCALE 20:1



3 DIMENSIONAL MODEL  
SCALE 8:1

	1	1-794611-2
	2	1-794611-1
SUPERSEDED BY	<del>1</del>	<del>794611-3</del>
SUPERSEDED BY	<del>8</del>	<del>794611-2</del>
	3	794611-1
REMARKS	FINISH	PART NUMBER

THIS DRAWING IS A CONTROLLED DOCUMENT.		DWN K. WHITAKER 19-OCT-1999	TE Connectivity	
DIMENSIONS: mm		CHK K. COBLE 19-OCT-1999		
TOLERANCES UNLESS OTHERWISE SPECIFIED:		APVD K. COBLE 19-OCT-1999	NAME	
0 PLC ±		PRODUCT SPEC	CONTACT, RECEPTACLE, CRIMP SNAP-IN, MICRO MATE-N-LOK(TM)	
1 PLC ±		108-1836	SIZE CAGE CODE DRAWING NO	
2 PLC ±0.13		APPLICATION SPEC	A200779 C-794611	
3 PLC ±		114-13000	RESTRICTED TO	
4 PLC ±		WEIGHT	-	
ANGLES ±0.30°		CUSTOMER DRAWING	SCALE 10:1 SHEET 1 OF 1 REV D3	
FINISH				
0.2 PH BRZ SEE TABLE				