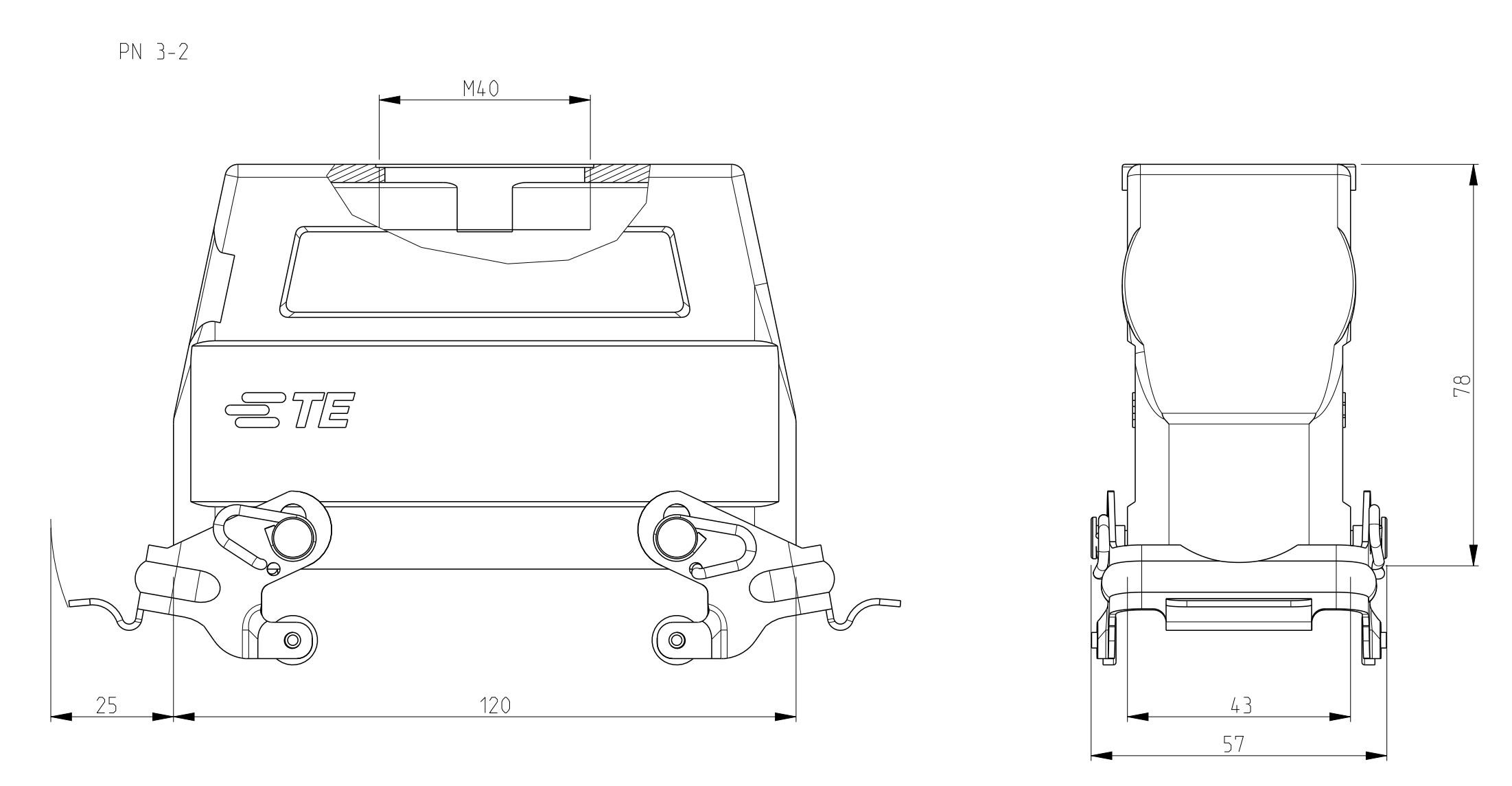
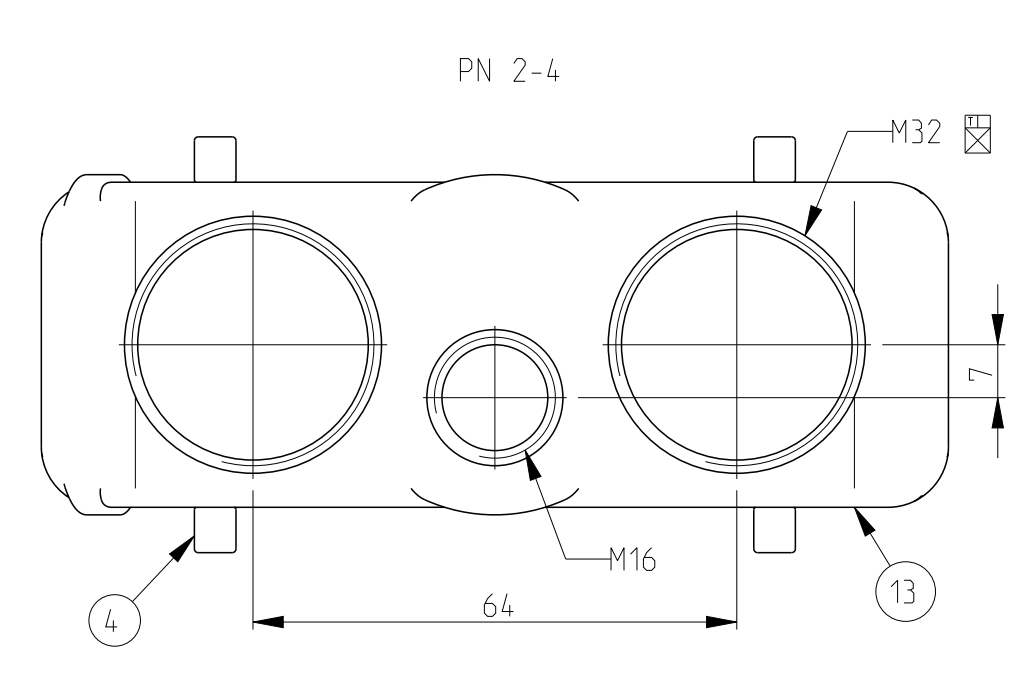
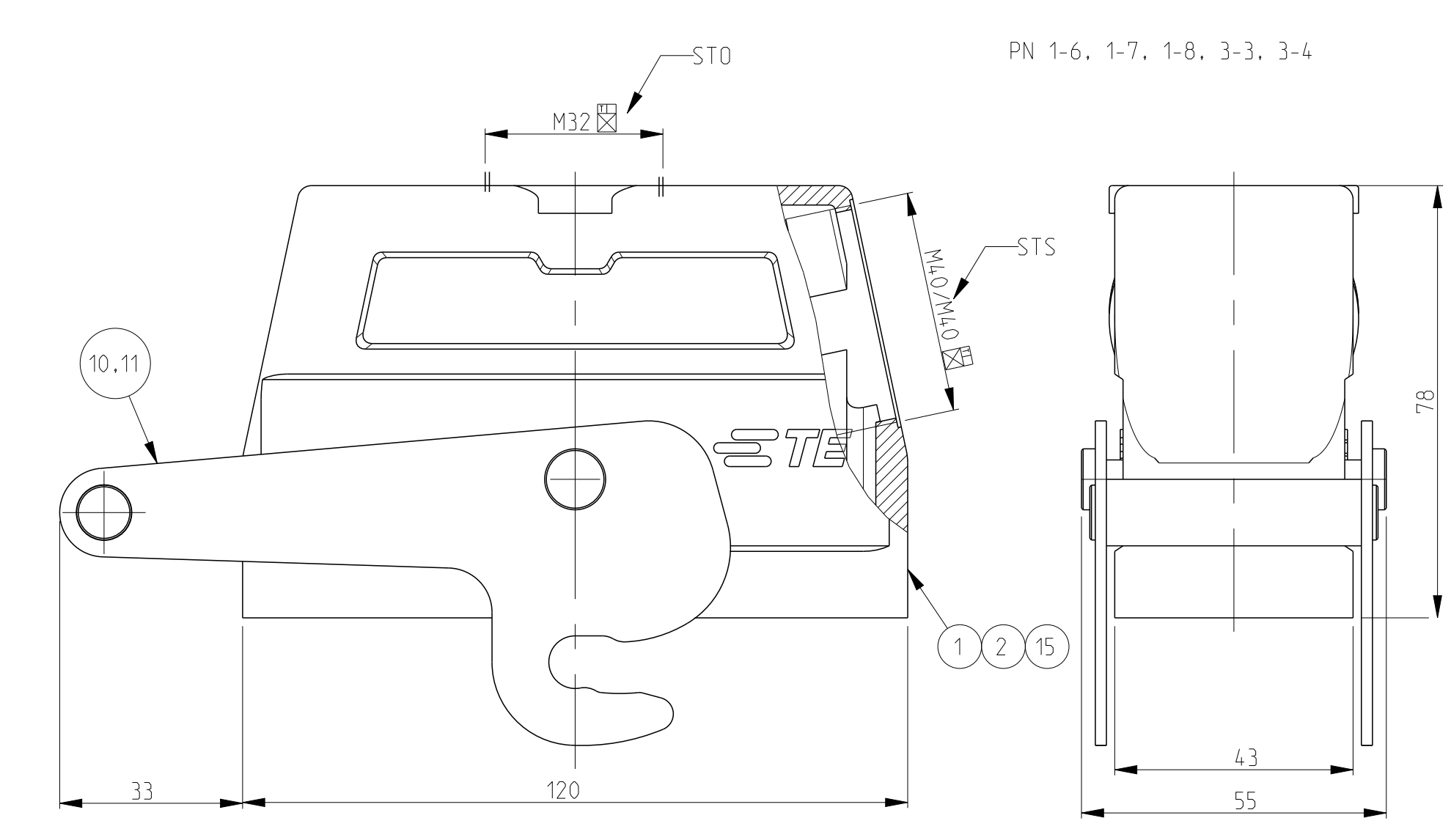
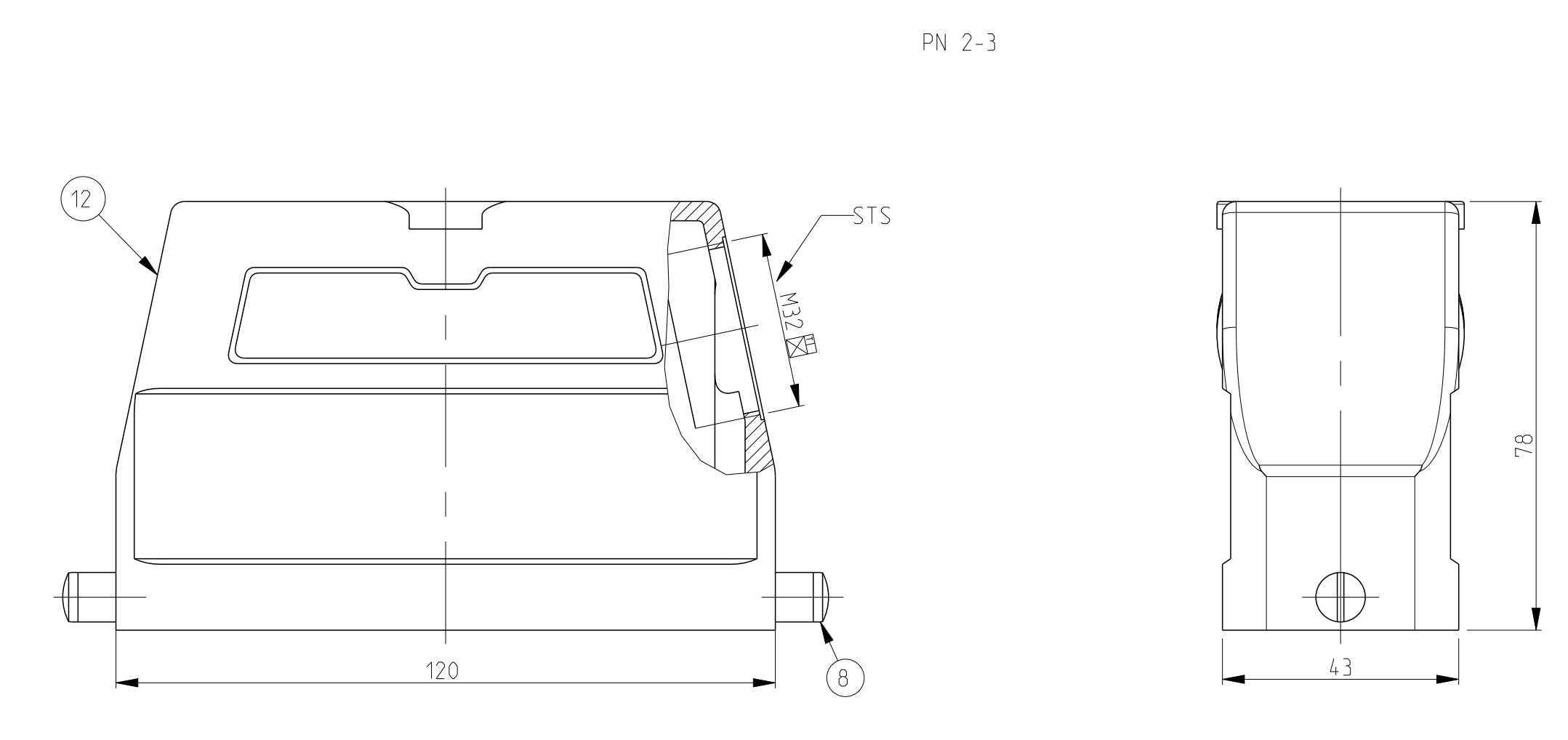
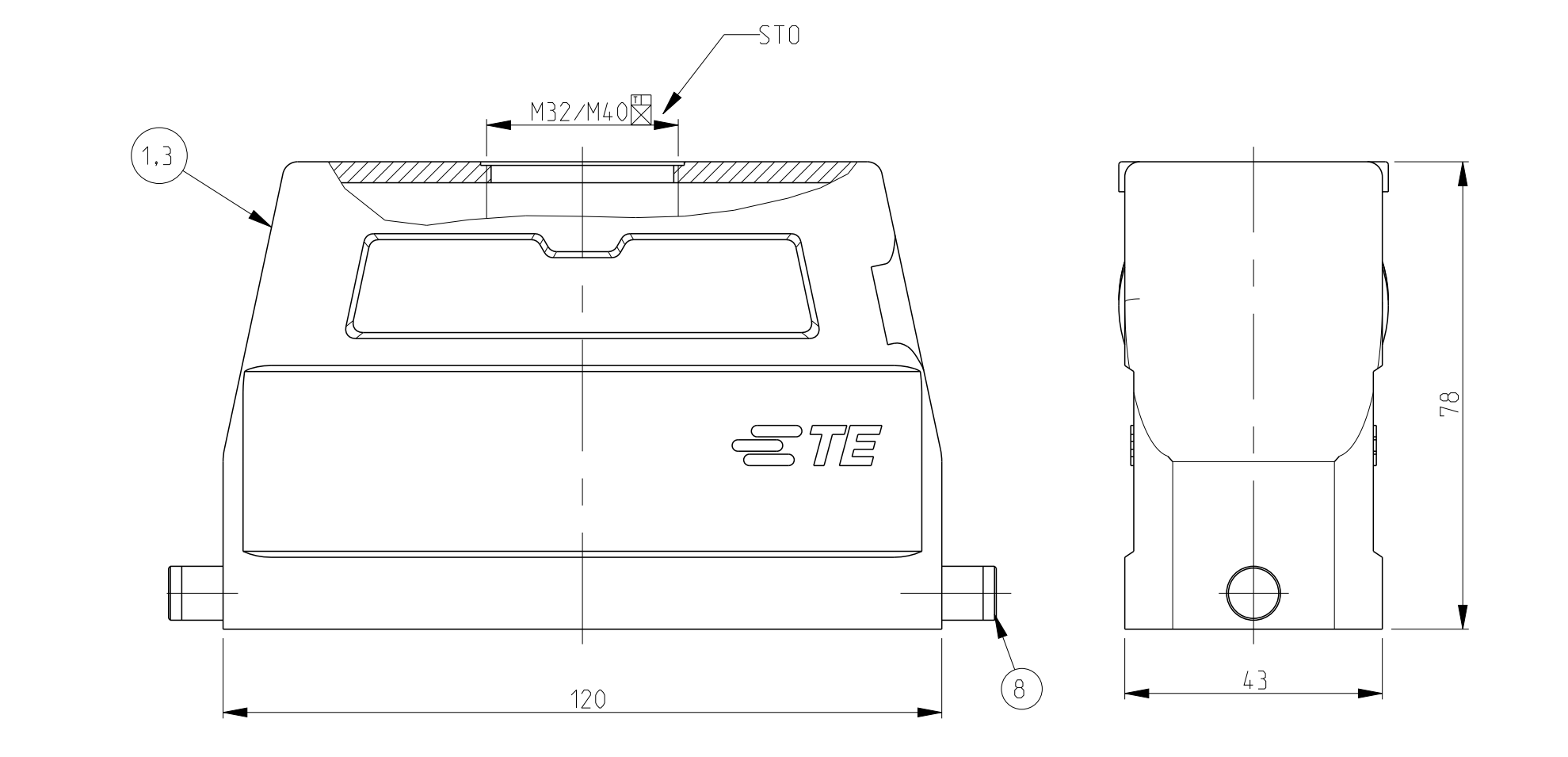
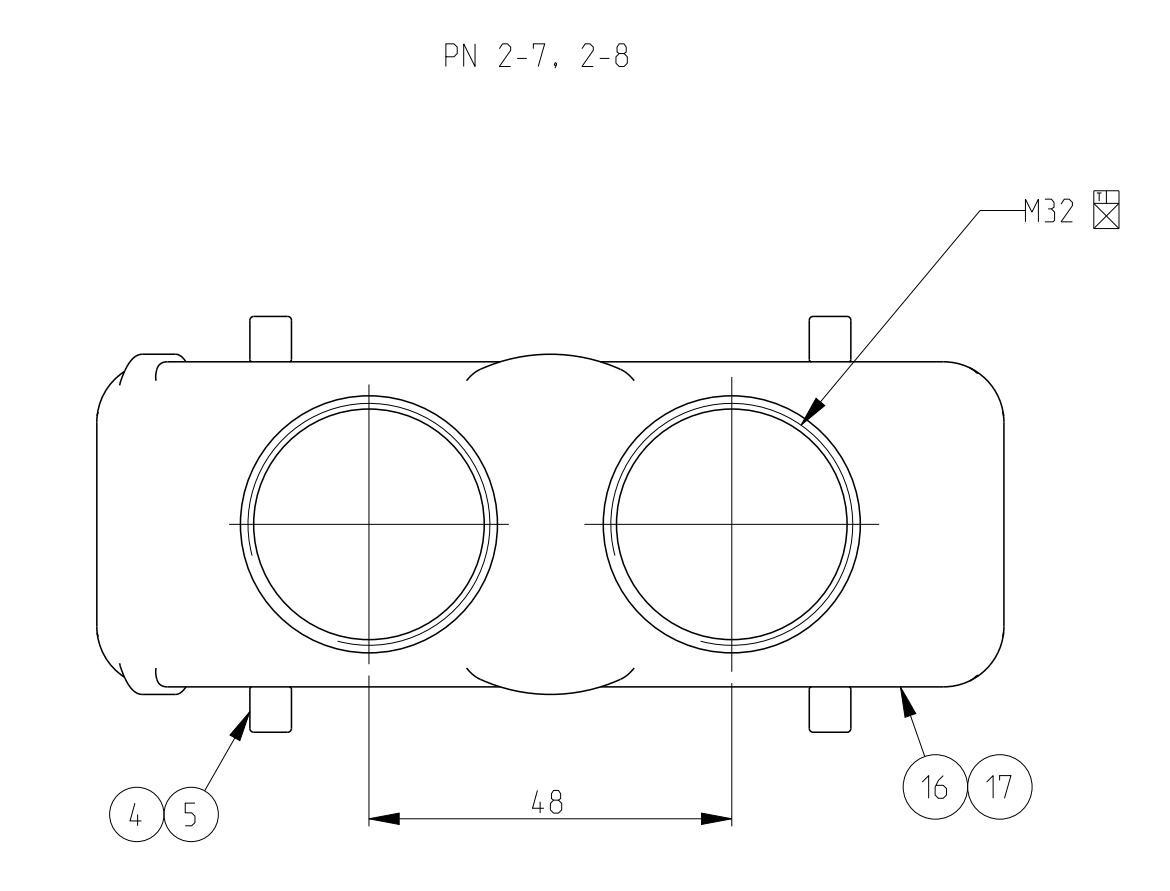
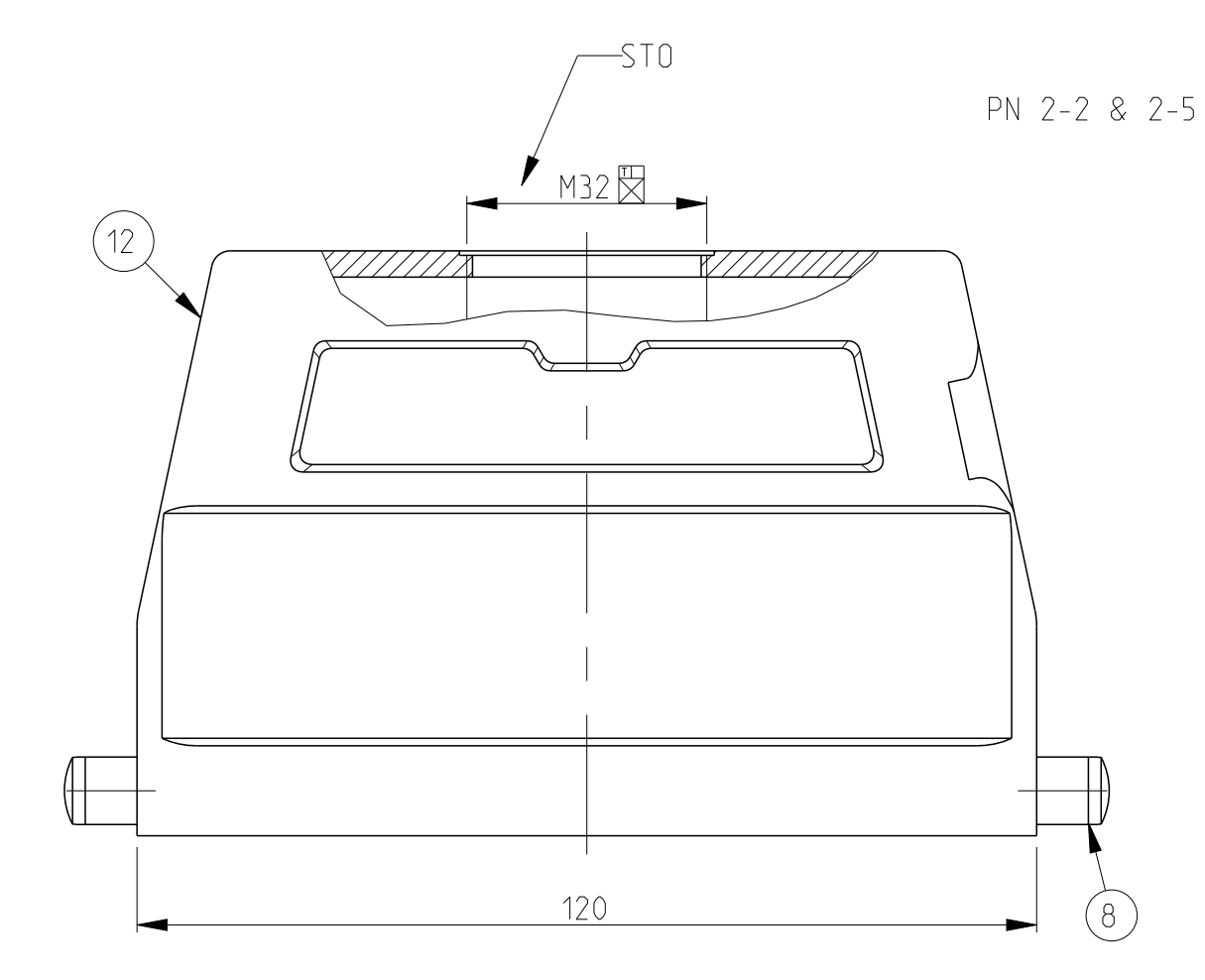
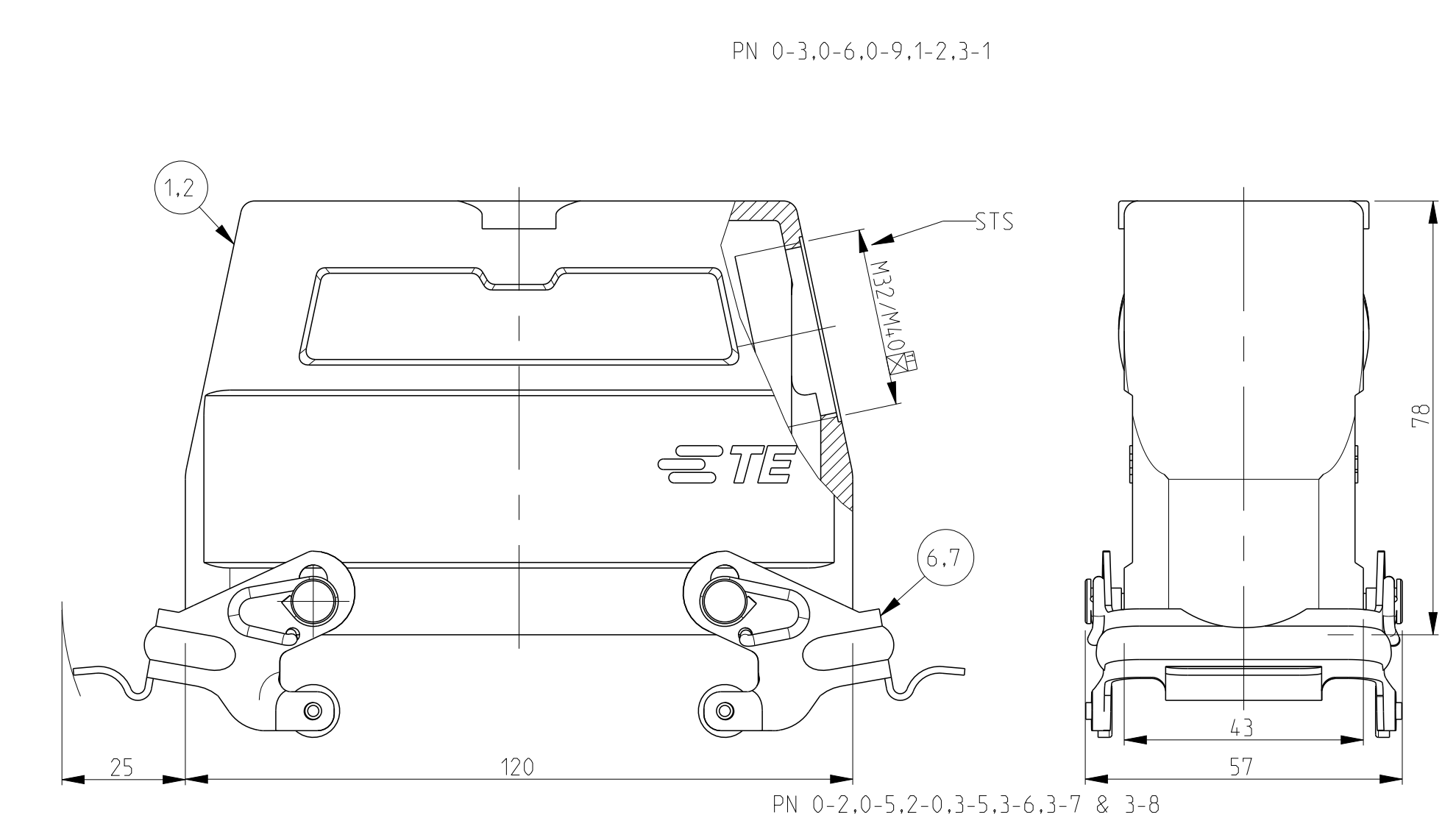
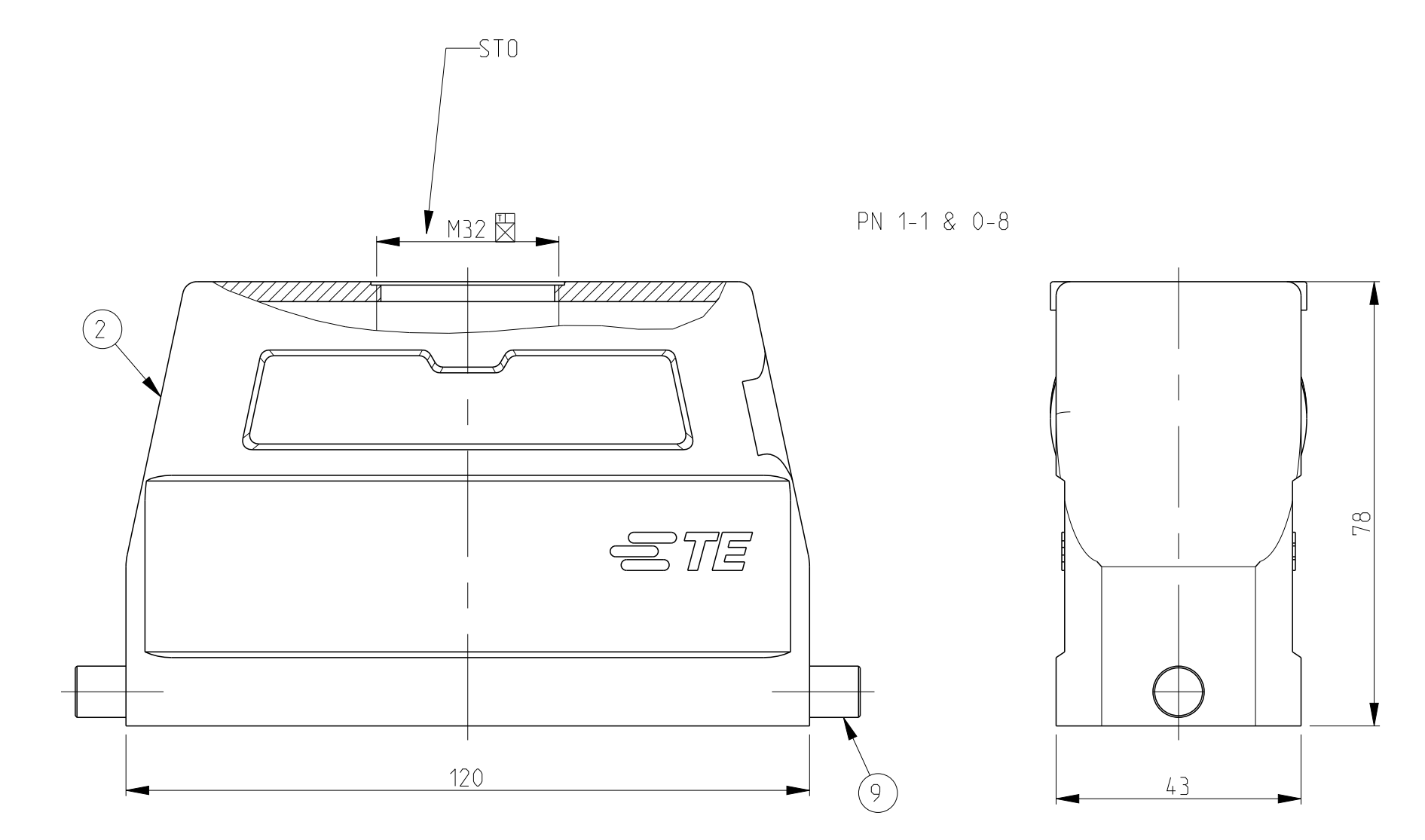
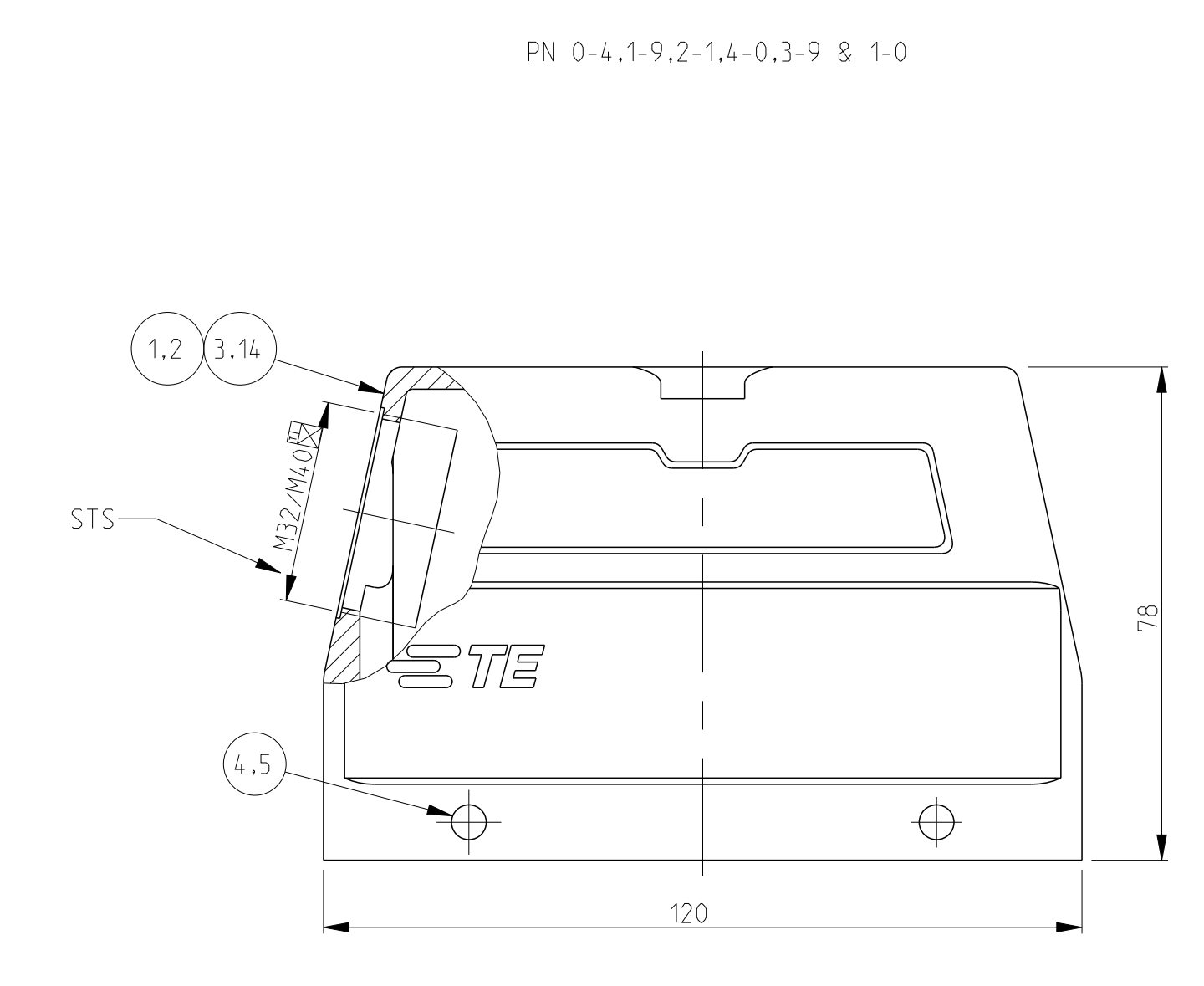
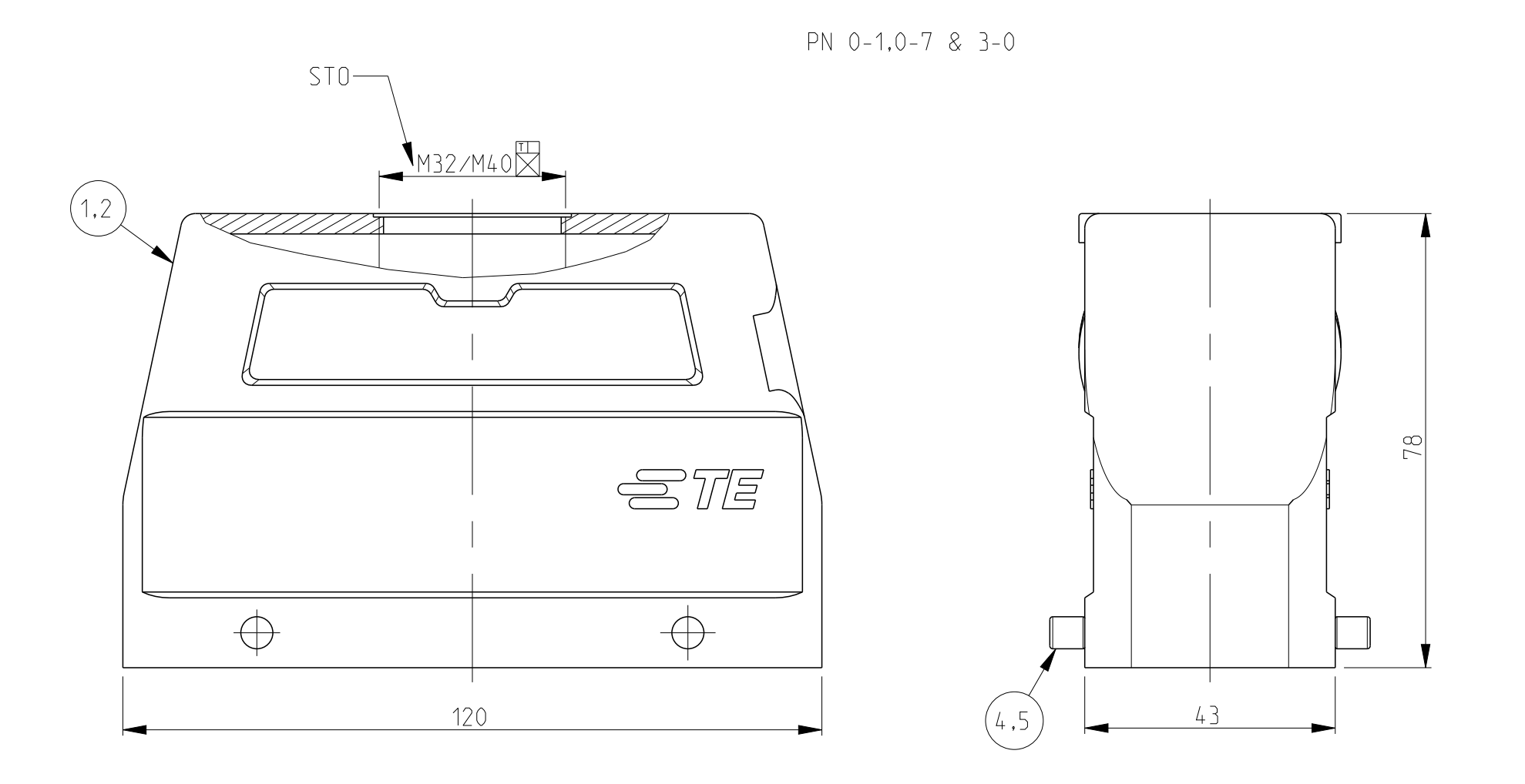


LOC	DIST	REVISIONS					
A1	-	P	LTN	DESCRIPTION	DATE	DRN	APPD
		A15	ECO-14-007563		27FEB2014	RK	MKO
		A16	ECR-14-013782		23SEP2014	RK	MKO
		A17	ECR-16-016696		24JUN2017	GE	MKO
		A18	ECR-16-016780		19NOV2017	GR	MKO



QTY	DESCRIPTION	MATERIAL	SURFACE	COLOR	ITEM NO	NOTES
1	HD-K HOOD	Aluminium	Aluminium oxide	Black	17	
1	HD HOOD	Aluminium		GREY	16	
1	HD HOOD	Aluminium		GREY	15	
1	HD-EMV Hood	Aluminium	chromit Al passivation	Black	14	
1	HD Hood	Aluminium		Grey	13	
1	HD Hood	Aluminium	Neutral	Grey	12	Without TE-Logo
1	ZB-Central clip	Stainless steel		Blank	11	
1	ZB-Central clip	Steel	Zinc plated	Blue	10	
2	LB-Clip bolt	Stainless steel		Blank	9	
2	LB-Clip bolt	Steel	Zinc plated	Blue	8	
2	VS-Side clip	Stainless steel		Blank	7	
2	VS-Side clip	Steel	Zinc plated	Blue	6	
2	VS-Clip bolt	Stainless steel		Blank	5	
2	VS-Clip bolt	Steel	Zinc plated	Blue	4	
1	HD Hood	Aluminium		Grey	3	Without TE-Logo
1	HD-K Hood	Aluminium	Aluminium oxide	Black	2	
1	HD Hood	Aluminium		Grey	1	

- NOTES:
- Material:Housing:Aluminium Diecasting Alloy
 - Surface:Varnish grey
 - Varnish on the inside not necessary
 - Packaging Quantity 5 Pieces in a box
 - Without TE-Product sign
 - Special Packaging Quantity 50 Pieces in a Kanban box

THIS DRAWING IS A CONTROLLED DOCUMENT. DATE: 30-Nov-07
 DIMENSIONS: SCHNEIDER 30-Nov-07
 PRODUCT SPEC: 108-74.001/74.003
 APPLICATION REF: 114-74.001/74.004
 MATERIAL: ALUMINUM
 FINISH: POLISHED

Customer Drawing

SCALE: 5:1

SHEET 1 OF 1

REV A18

STE TE Connectivity

Hood HD.64.STS.M32/1.M4.0.G

SIZE: A0 CASE CODE: 00779 DRAWING NO: 114-74.001/74.004

Mouser Electronics

Authorized Distributor

Click to View Pricing, Inventory, Delivery & Lifecycle Information:

[TE Connectivity:](#)

[1-1106470-8](#)