

THIS DRAWING IS UNPUBLISHED.

RELEASED FOR PUBLICATION

-, -

LOC

DIST

REVISIONS

© COPYRIGHT - By -

ALL RIGHTS RESERVED.

E

B

P

LTR

DESCRIPTION

DATE

DWN

APVD

D

ECR-14-000528

18SEP2014

RZ

MY

NOTES:

1 SINGLE PACKING: ONE CONNECTOR PER LABELED BAG PACKAGED. LABELED PER TEC-107-115

2 TRAY PACKAGED

3 Ag PLATING

4 PASSIVATION

5 THIS ITEM MUST BE WHITE

6 ELECTRICAL CHARACTERISTICS

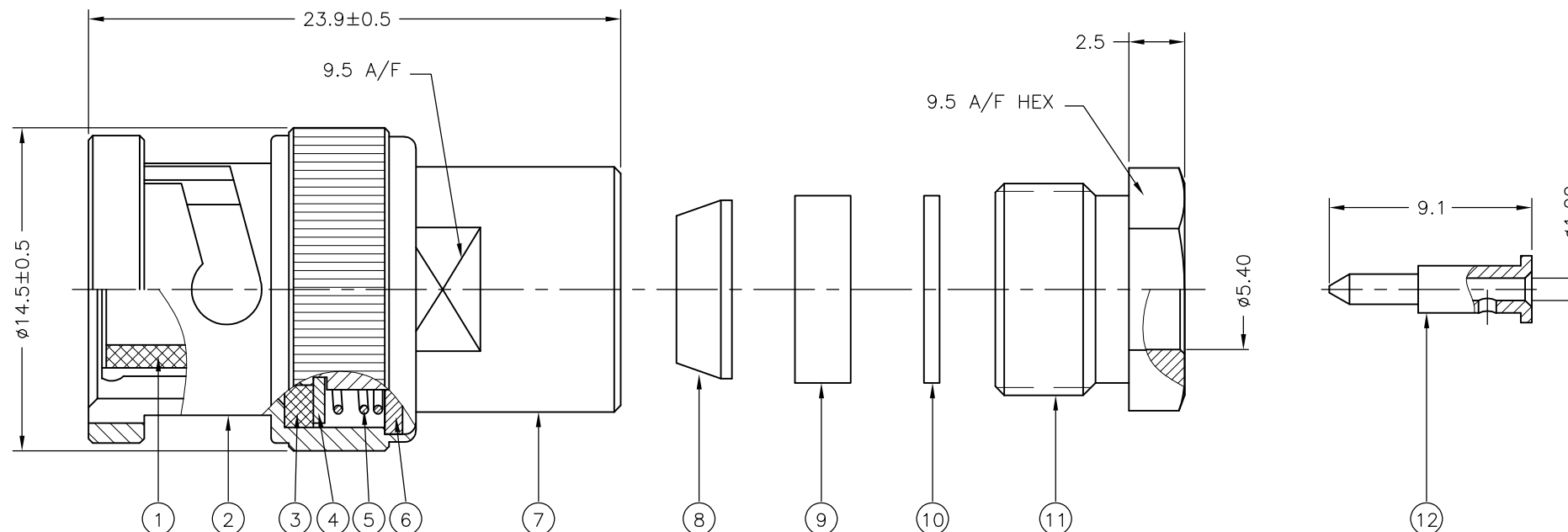
FREQUENCY RANGE:	DC - 4 GHz
NOMINAL IMPEDANCE:	50 Ohm
INSULATION RESISTANCE:	5000 MOhm
WORKING VOLTAGE:	500 Volts RMS at Sea Level
DIELECTRIC WITHSTAND VOLTAGE:	1500 Volts RMS Max
CONTACT RESISTANCE:	
CENTER CONTACT:	1.50 mOhm Max
OUTER CONTACT:	1.00 mOhm Max
VSWR @ 4GHz:	1.30:1 Max
INSERTION LOSS dB @ 3 GHz:	0.20 Max

7 MECHANICAL CHARACTERISTICS

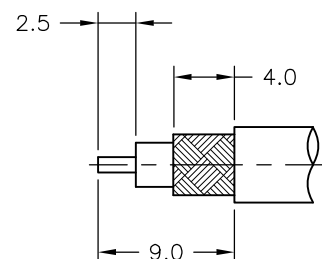
COUPLING NUT RETENTION FORCE:	266 N Min
CABLE RETENTION FORCE:	128 N Min
CLAMP NUT RECOMMENDED TORQUE:	4 Nm
DURABILITY:	500 Cycles Min

8 ENVIRONMENTAL CHARACTERISTICS

OPERATING TEMPERATURE: -65 to +165 DegC




RECOMMENDED CABLE STRIPPING DIM'S



QTY	QTY PER ASSY	MATERIAL	DESCRIPTION	ITEM
1	1	BRASS	CONTACT	12
1	1	BRASS	CLAMP NUT	11
1	1	BRASS	WASHER	10
1	1	SILICON RUBBER	GASKET	9
1	1	BRASS	SLEEVE	8
1	1	BRASS	BODY	7
1	1	BRASS	WASHER	6
1	1	STAINLESS STEEL	SPRING	5
1	1	PHOSPHOR BRONZE	WASHER	4
1	1	SILICON RUBBER	GASKET	3
1	1	BRASS	COLLAR	2
1	1	PTFE	DIELECTRIC	1
6--0	1--0	MATERIAL	DESCRIPTION	ITEM

QUANTITY PER ASSY PARTS LIST

THIS DRAWING IS A CONTROLLED DOCUMENT.		DWN	J.SANDWELL	18NOV05
DIMENSIONS: mm		CHK	S.PARLOW	18NOV05
TOLERANCES UNLESS OTHERWISE SPECIFIED:		APVD	F.WHEELER-KING	18NOV05
0 PLC	± -	PRODUCT SPEC		
1 PLC	± 0.2	108-112000		
2 PLC	± 0.1	APPLICATION SPEC		
3 PLC	± -	411-3252		
4 PLC	± -	WEIGHT -		
ANGLES	± -	CUSTOMER DRAWING		
MATERIAL	FINISH -	SCALE NTS		
SEE TABLE		SHEET 1 OF 1		
		REV D		



TE Connectivity

NAME: BNC STRAIGHT PLUG SOLDER 50 OHM
RG58C/U, 141A/U, URM43,76, Belden 9907,KX15

SIZE: A3 CAGE CODE: 00779 DRAWING NO: C-1337421 RESTRICTED TO: -

Mouser Electronics

Authorized Distributor

Click to View Pricing, Inventory, Delivery & Lifecycle Information:

[TE Connectivity:](#)

[1-1337421-0](#)