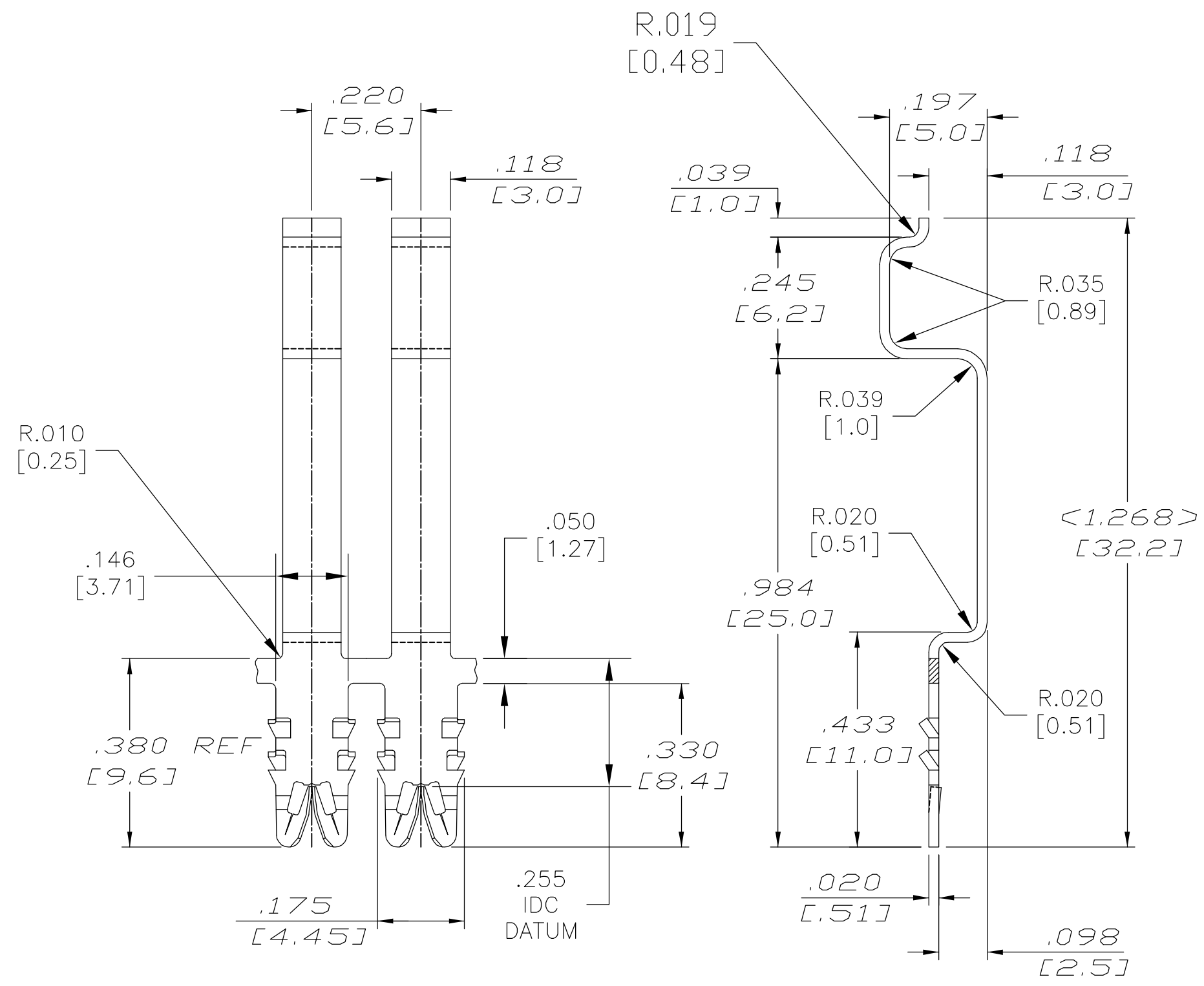
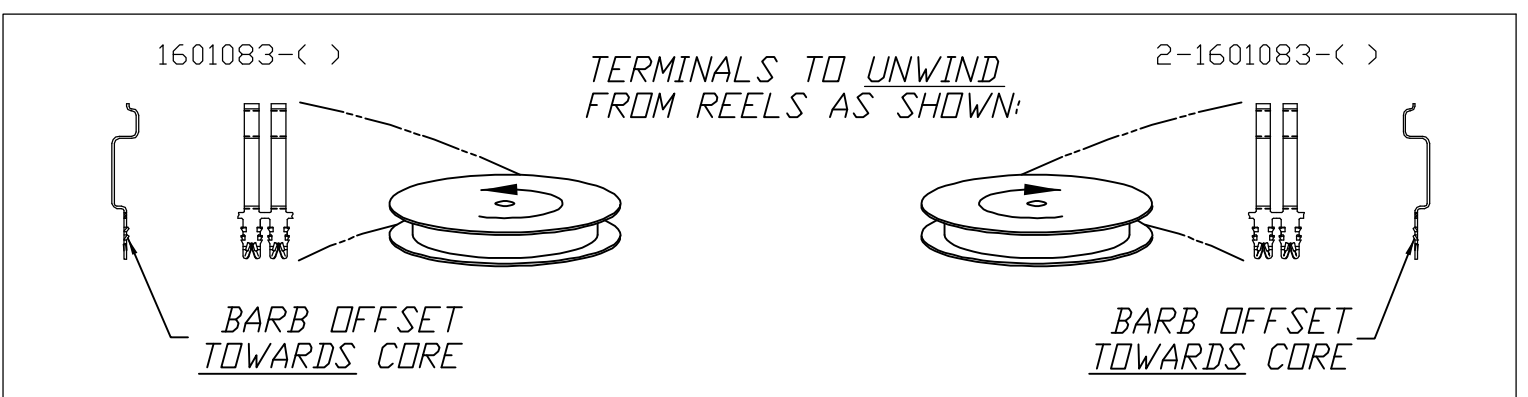
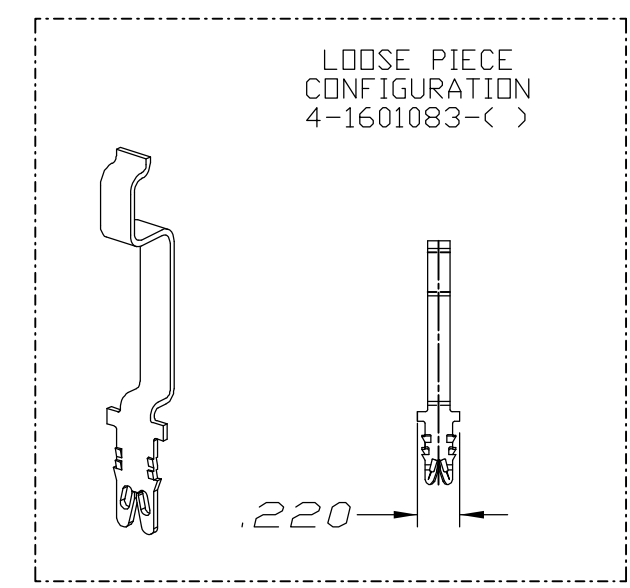


THIS DRAWING IS UNPUBLISHED. RELEASED FOR PUBLICATION  
 © COPYRIGHT BY TYCO ELECTRONICS CORPORATION. ALL RIGHTS RESERVED.

LOC		DIST		REVISIONS			
P	LTR	DESCRIPTION		DATE	DWN	APVD	
AF	50	D	REV PER ECR	06-006952	30MAR06	JR	GJ



1. SPECIFICATIONS:  
MAGNET WIRE #18 - #34 AWG,  
.040" (1.02MM) - .006" (0.16MM) DIA. COPPER  
OTHER SIZES MAY BE ACCOMMODATED,  
CONSULT TYCO ELECTRONICS FOR APPROVAL.
2. POCKET RECOMMENDATION:  
#1601425
3. NOTES:  
TERMINALS SUPPLIED ON REELS,  
CAN BE SUPPLIED LOOSE PIECE,
4. TERMINAL APPLICATION TO COMPLY WITH  
TYCO ELECTRONICS SPEC #114-13166, FIG 9
5. PRELIMINARY - NOT FOR PRODUCTION



OBSOLETE

FINISH	REFERENCE PART NUMBER	TYCO PART NUMBER
Pre-Tin Plate over Nickel Underplate	-	2-1601083-3
Pre-Tin Plate over Nickel Underplate	-	1601083-3
Pre-Silver Plate over Nickel Underplate	031-153-025	4-1601083-2
Pre-Silver Plate over Nickel Underplate	131-154-025	2-1601083-2
Pre-Silver Plate over Nickel Underplate	131-153-025	1601083-2

THIS DRAWING IS A CONTROLLED DOCUMENT.		DWN J.WELLER 11JAN2002	Tyco Electronics Corporation Harrisburg, PA 17105-3608
DIMENSIONS: INCHES		CHK M.FEHER 11JAN2002	
TOLERANCES UNLESS OTHERWISE SPECIFIED:		APVD K.RANDOLPH 11JAN2002	
0 PLC ± - 1 PLC ± - 2 PLC ± .01 [0.25] 3 PLC ± .005 [0.13] 4 PLC ± - ANGLES ± 2°		PRODUCT SPEC 108-2085 APPLICATION SPEC 4	
MATERIAL H04 FULL HARD	FINISH SEE TABLE	WEIGHT -	NAME STANDARD RANGE WIRE 54 MM CONTACTOR SIAMEZE TERMINAL SIZE A2 CAGE CODE 00779 DRAWING NO C=1601083 RESTRICTED TO - SCALE 4:1 SHEET 1 OF 1 REV D

# Mouser Electronics

Authorized Distributor

Click to View Pricing, Inventory, Delivery & Lifecycle Information:

[TE Connectivity:](#)

[1601083-2](#)