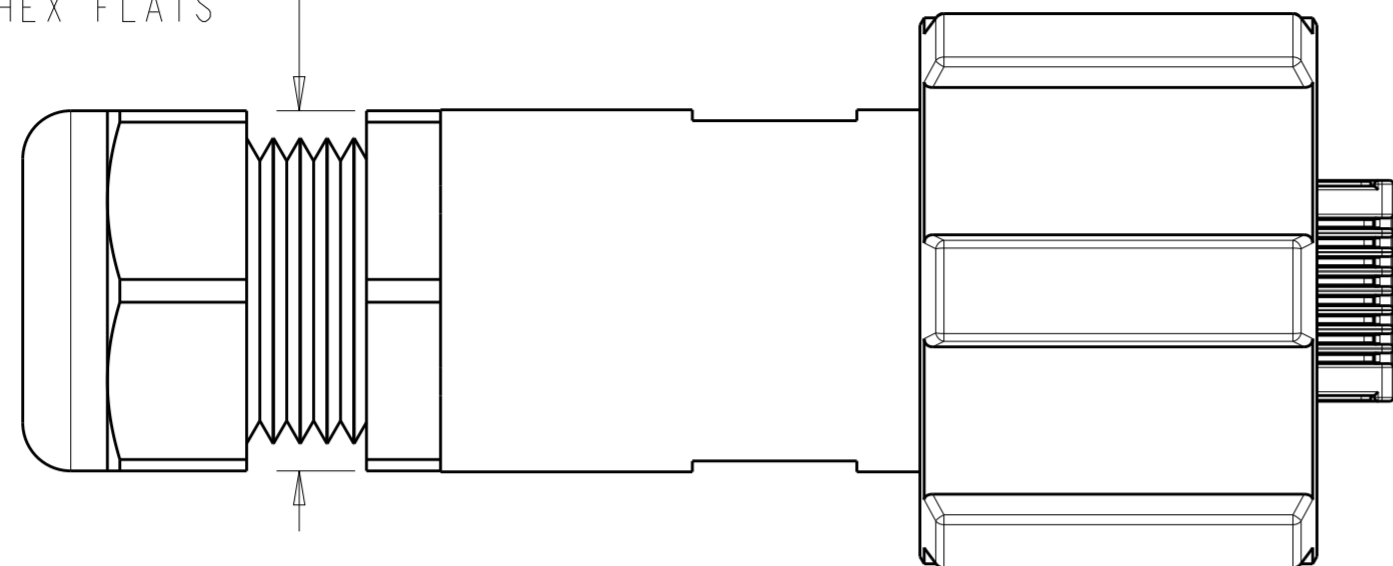
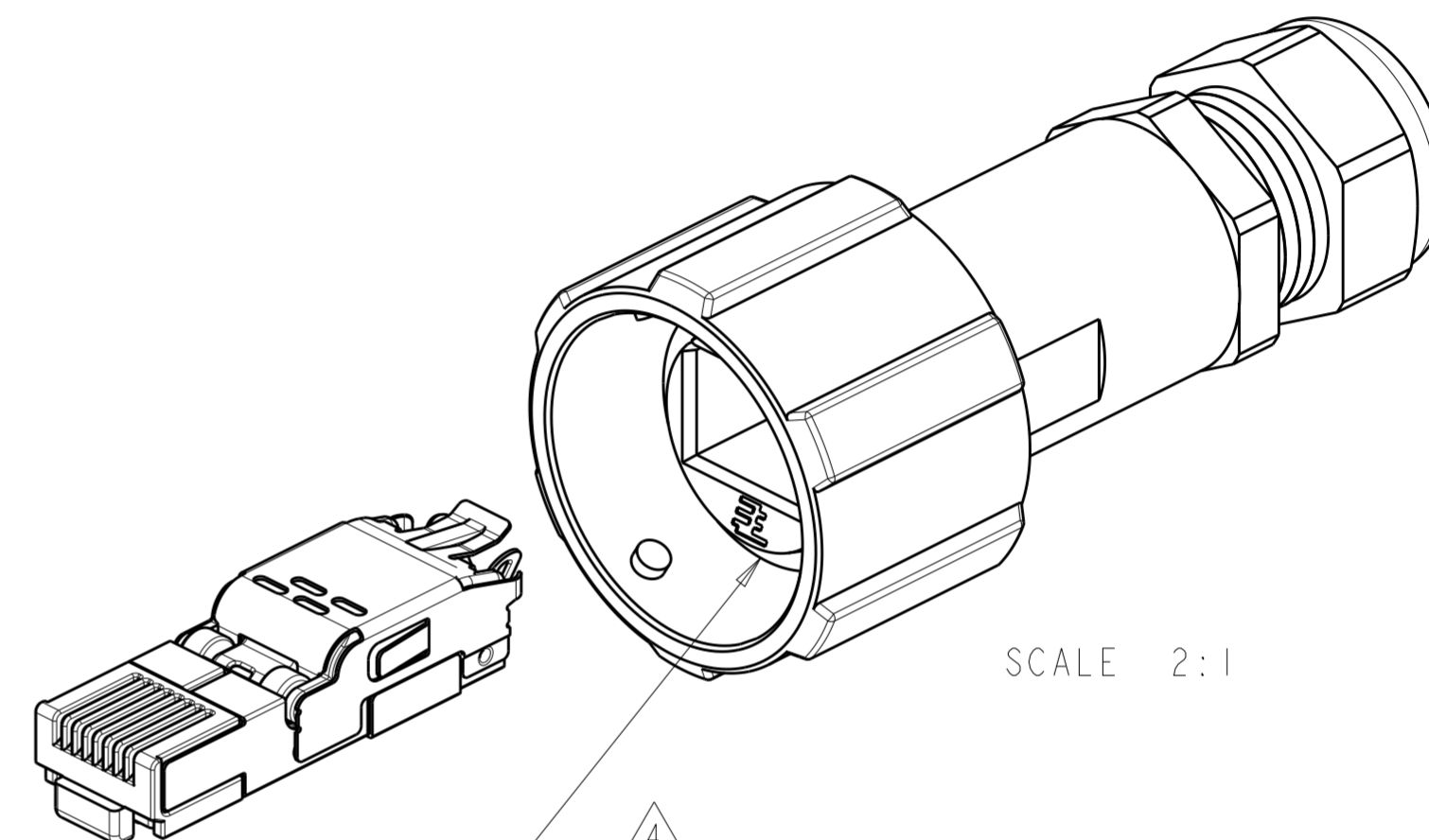
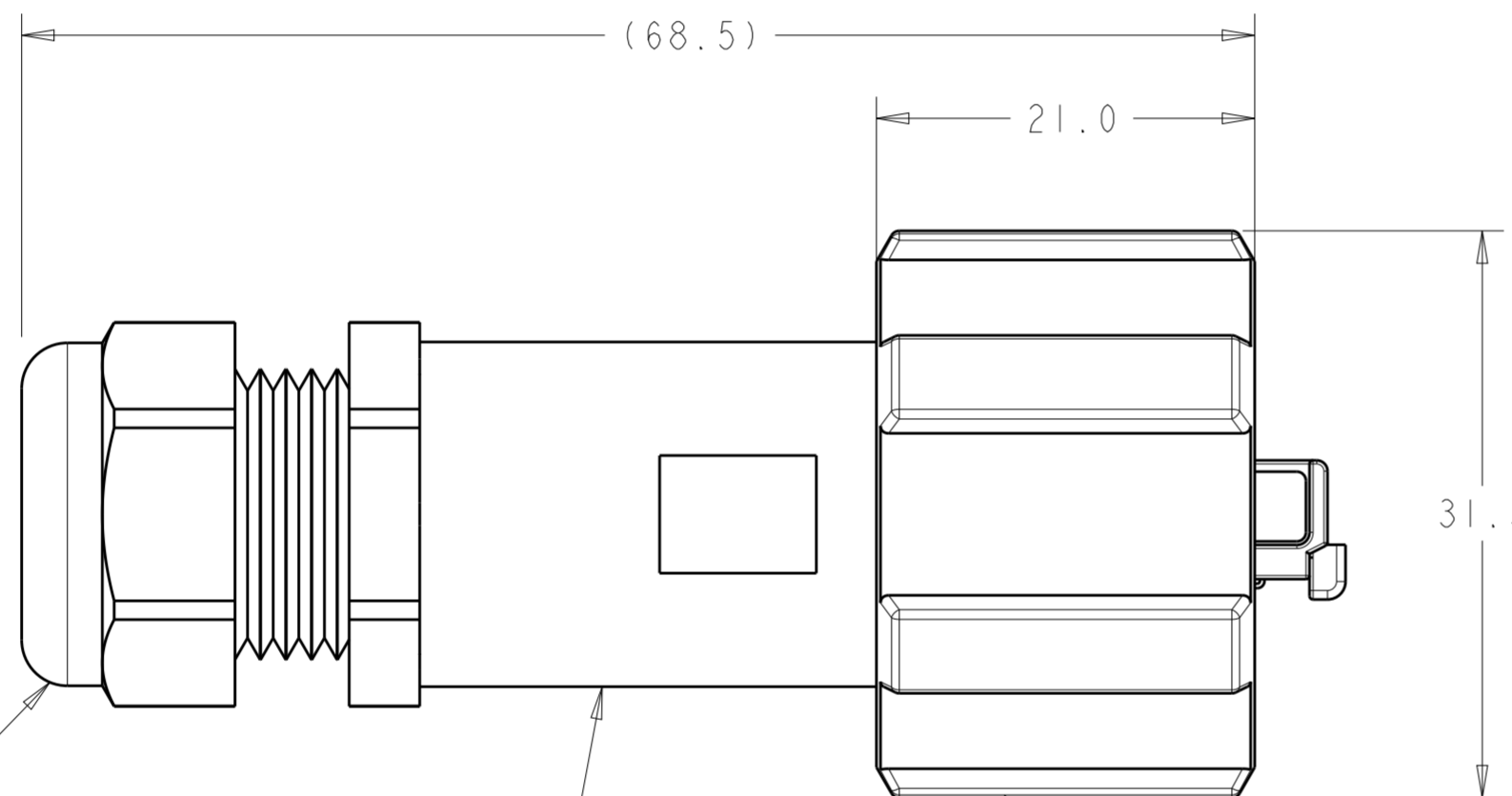


REVISIONS					
P	LTR	DESCRIPTION	DATE	DWN	APVD
	A2	PN 1954656-3 DISCONTINUED	27OCT2017	TJ	NG

(19.0)  
HEX FLATS



COMMON CORE PLUG ASSEMBLY  
 TERMINAL HOUSING - NYLON  
 CONTACT - COPPER ALLOY  
 SHELL - COPPER ALLOY



SCALE 2:1

4 INTERFACIAL SEAL  
 ELASTOMER, COLOR: ORANGE-RED

1 CABLE FITTING  
 POLYIMIDE AND ELASTOMER  
 COLOR: BLACK

3 PLUG HOUSING  
 POLYESTER, COLOR: BLACK

COUPLING RING  
 POLYESTER, COLOR: BLACK

OBSOLETE	CAT 6	CORE, 8P ASSEMBLY	1954656-3
	CAT 5/5E	CORE, 8P ASSEMBLY	1954656-2
	CAT 5/5E	CORE, 4P ASSEMBLY	1954656-1
	CABLE TYPE	COMMON CORE TYPE	PART NUMBER

1 CABLE DIAMETER RANGE, 4.0 mm TO 7.0 mm, CABLE FITTING ONLY,  
 SEE APPLICATION SPECIFICATION FOR COMMON CORE TERMINATION INFORMATION

2. PARTS PACKAGED UNASSEMBLED IN POLYBAG.

3 GEOMETRY CAN VARY.

4 ELASTOMER SEAL IS SECURED TO HOUSING WITH ADHESIVE.

THIS DRAWING IS A CONTROLLED DOCUMENT.		DWN C. DAILY 05DEC2006	TE Connectivity	
		CHK J. LANDIS 05DEC2006		
DIMENSIONS:		APVD		NAME
mm		PRODUCT SPEC		PLUG ASSEMBLY
TOLERANCES UNLESS OTHERWISE SPECIFIED:		APPLICATION SPEC		COMMON CORE INDUSTRIAL CIRCULAR
0 PLC ±0.3		114-13136		ETHERNET CONNECTOR
1 PLC ±0.2		WEIGHT		RESTRICTED TO
2 PLC ±0.10		CUSTOMER DRAWING		
3 PLC ±		SCALE 5:2		SHEET 1 OF 1
4 PLC ±		REV A2		
ANGLES ±1°				
FINISH				