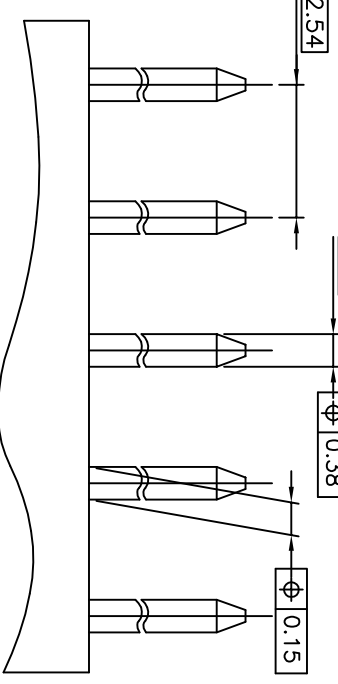
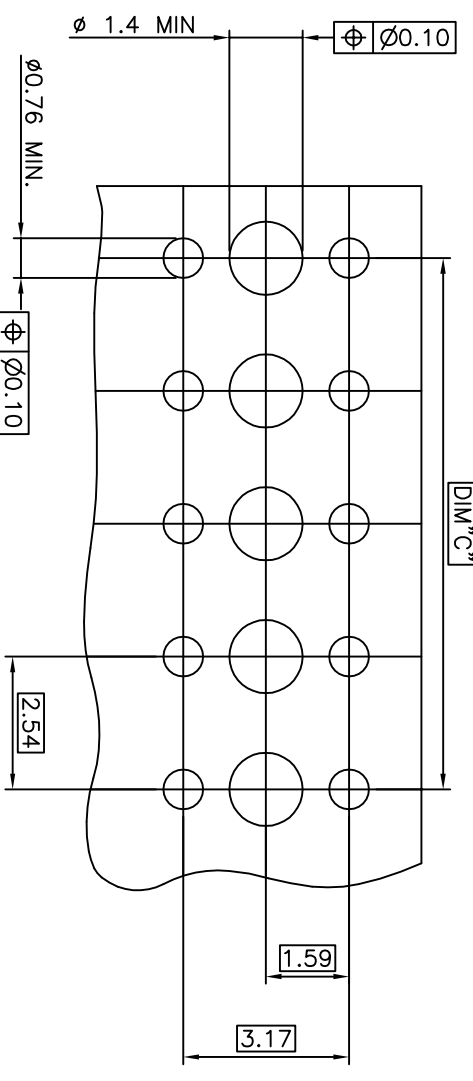


PRODUCT N°	DIM"C"	DIM"D"	CONTACT PLACED IN CAVITY																					
95200-Y01LF	48.26	50.72	X	X	X	X	X	X	X	X	X	X	X	X	X	X	X	X	X	X	X	X	X	
95200-Y02LF	7.62	10.08	X		X																			
95200-Y03LF	53.34	55.80	X		X																			
95200-Y04LF	53.34	55.80	X	X	X	X	X	X	X	X	X	X	X	X	X	X	X	X	X	X	X	X	X	

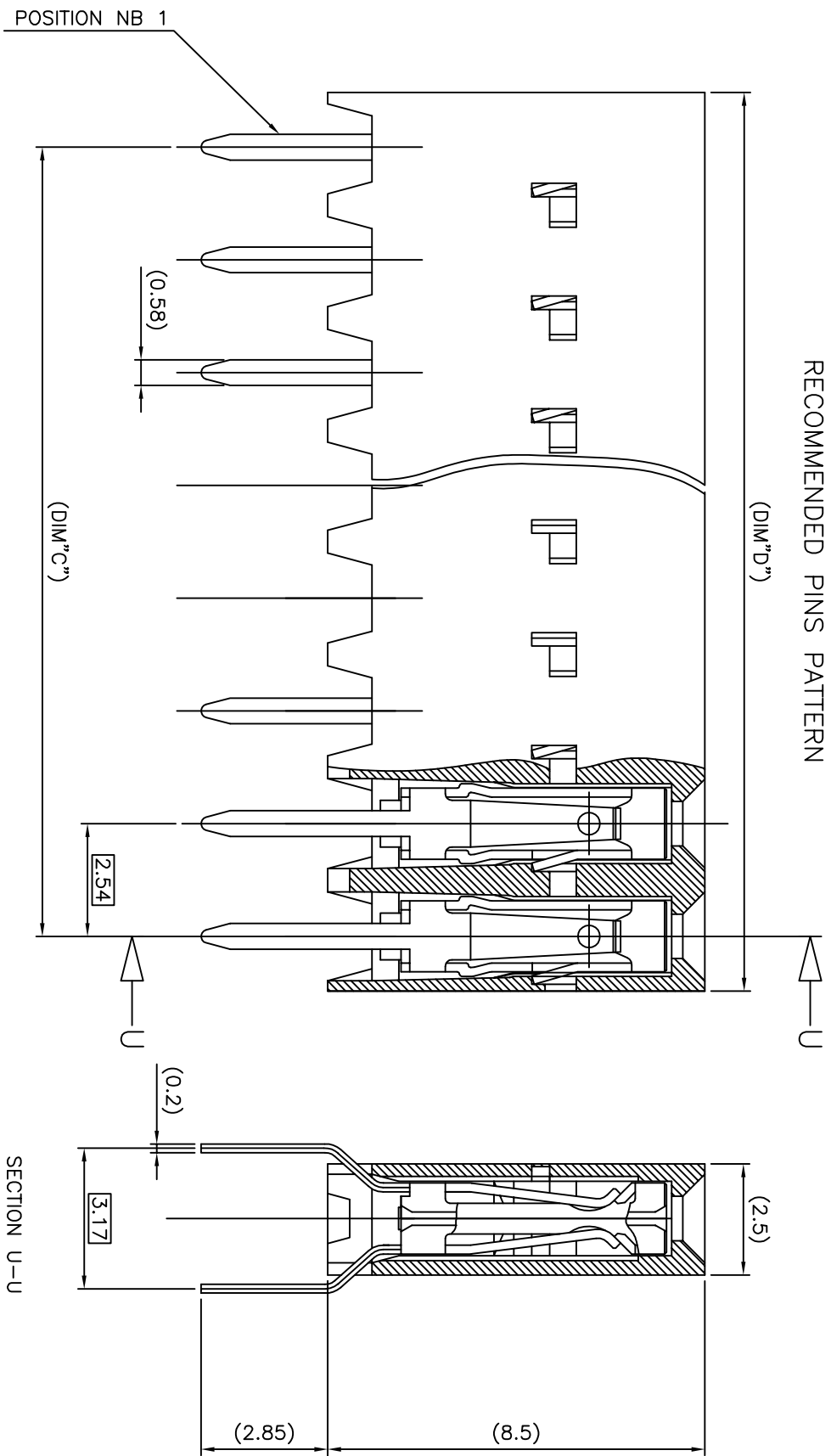
ROHS COMPATIBLE,
SEE NOTE 3



MINIMUM MATING PIN LENGTH: 5 mm.
RECOMMENDED PINS PATTERN



RECOMMENDED HOLE PATTERN.



SECTION U-U

95200-4XXLF	5 µm Sn	Sn
95200-3XXLF	0.76 µm GOLD	Sn
PLATING CODE	CONTACT AREA	SOLDER TAIL
	PLATING THICKNESS OVER 1.27µm Ni	

NOTES:

- MATERIAL HOUSING: THERMOPLASTIC POLYESTER. 30% GLASS FILLED, COLOUR BLUE, FLAME RETARDANT: PER UL-94 CATEGORY V0. MATERIAL TERMINAL: PHOSPHORE BRONZE EXTRA HARD. 2 - CONNECTOR MEANT TO BE USED FOR PC BOARD WITH NON PLATED THROUGH HOLES.
- ROHS COMPATIBLE PRODUCT SPECIFICATIONS
- PLATING:
 - "LF" MEANS THE PRODUCT IS LEAD-FREE, 2µm MINIMUM MATTE TIN OVER 1.27µm MINIMUM NICKEL UNDERPLATE.
- MANUFACTURING PROCESS COMPATIBILITY
 - THE HOUSING WILL WITHSTAND EXPOSURE TO 260°C ±5°C SOLDER BATH TEMPERATURE FOR 5 SECONDS IN A WAVE SOLDER APPLICATION WITH A 1.6mm MIN THICK CIRCUIT BOARD.
- LABELING:
 - MEETS PACKAGING SPECS AS PER GS-14-920
- LEGAL STATEMENT: SEE GS-47-0004

mat'l. code	surface	tolerance	projection	product family
95200-4XXLF	ISO 1302	ISO 406 ISO 1101	Ø	DX VCC SR
95200-3XXLF	ISO 1302	ISO 406 ISO 1101	Ø	DX VCC SR
PLATING CODE	CONTACT AREA	SOLDER TAIL		
	PLATING THICKNESS OVER 1.27µm Ni			

Mouser Electronics

Authorized Distributor

Click to View Pricing, Inventory, Delivery & Lifecycle Information:

[FCI / Amphenol:](#)

[95200-301LF](#) [95200-302LF](#) [95200-403LF](#) [95200-404LF](#) [95200-303LF](#) [95200-304LF](#)