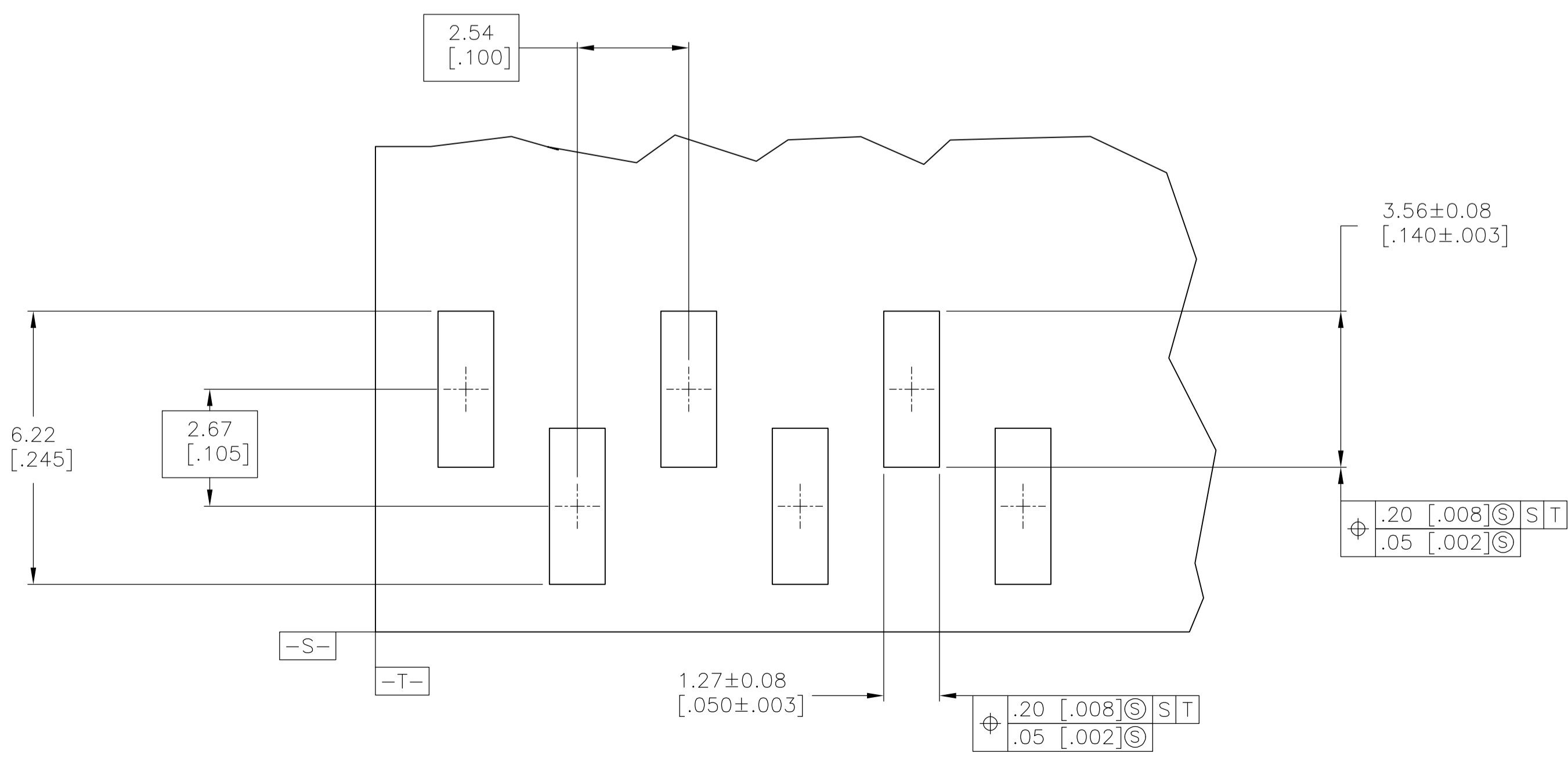
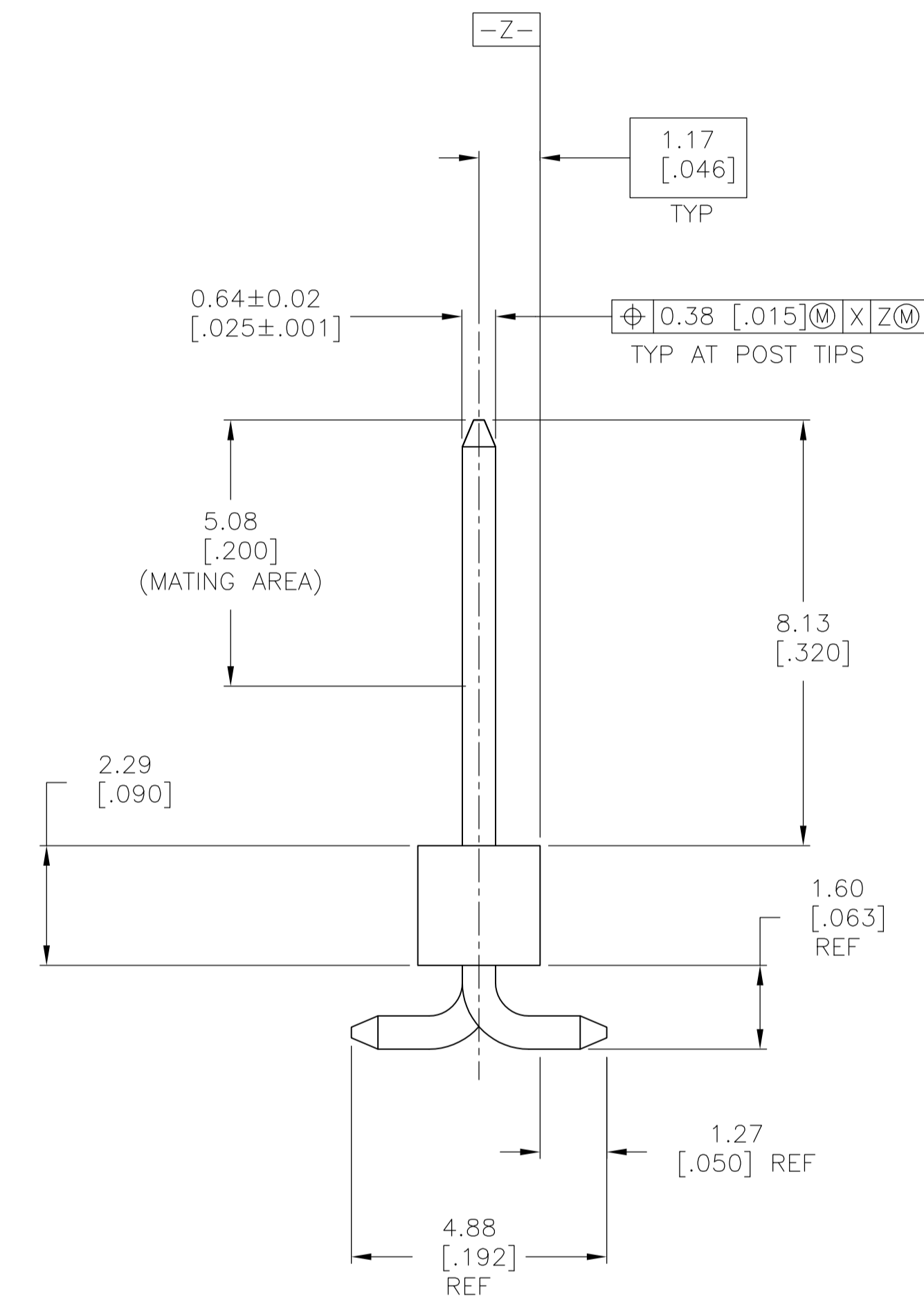
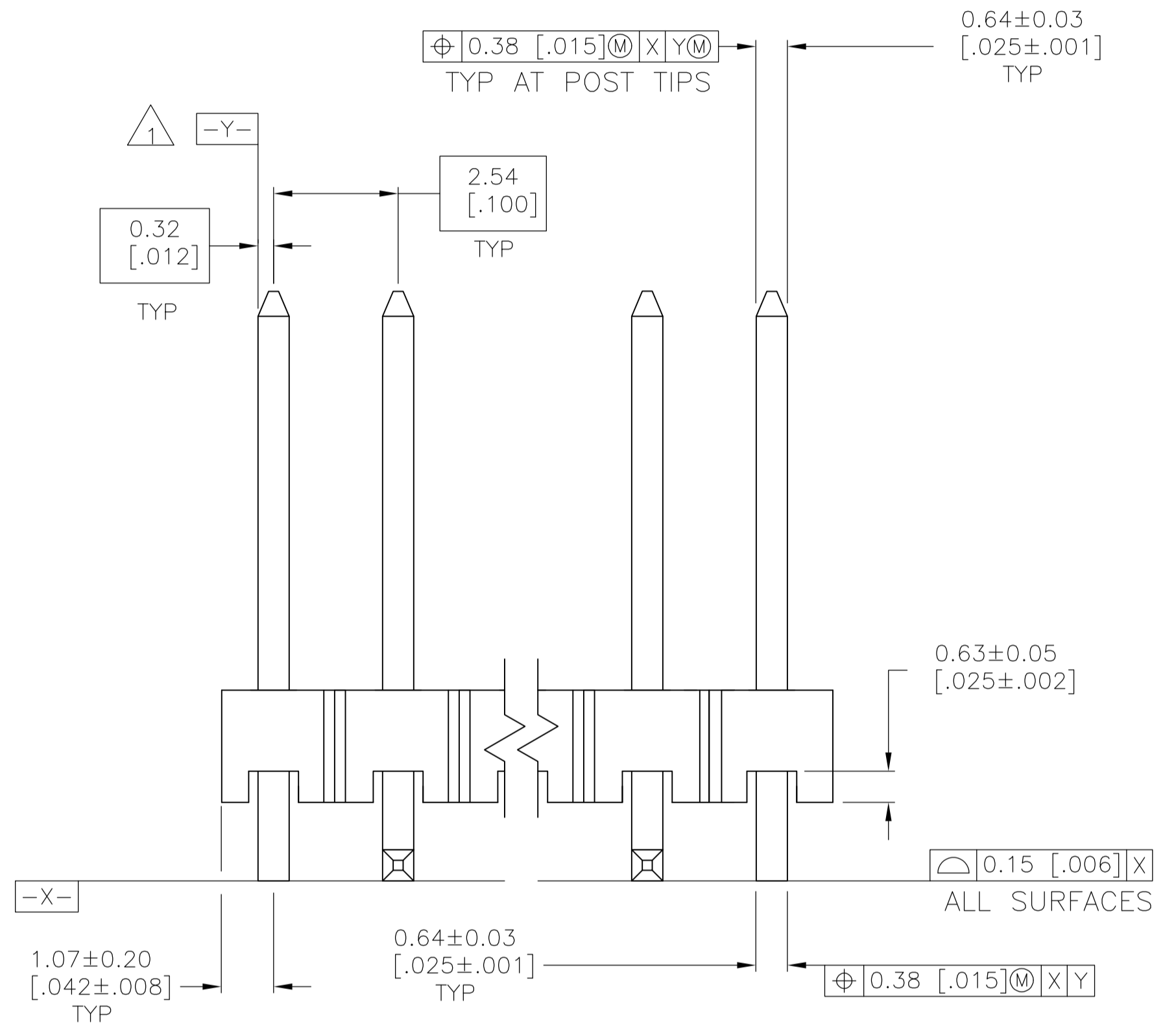
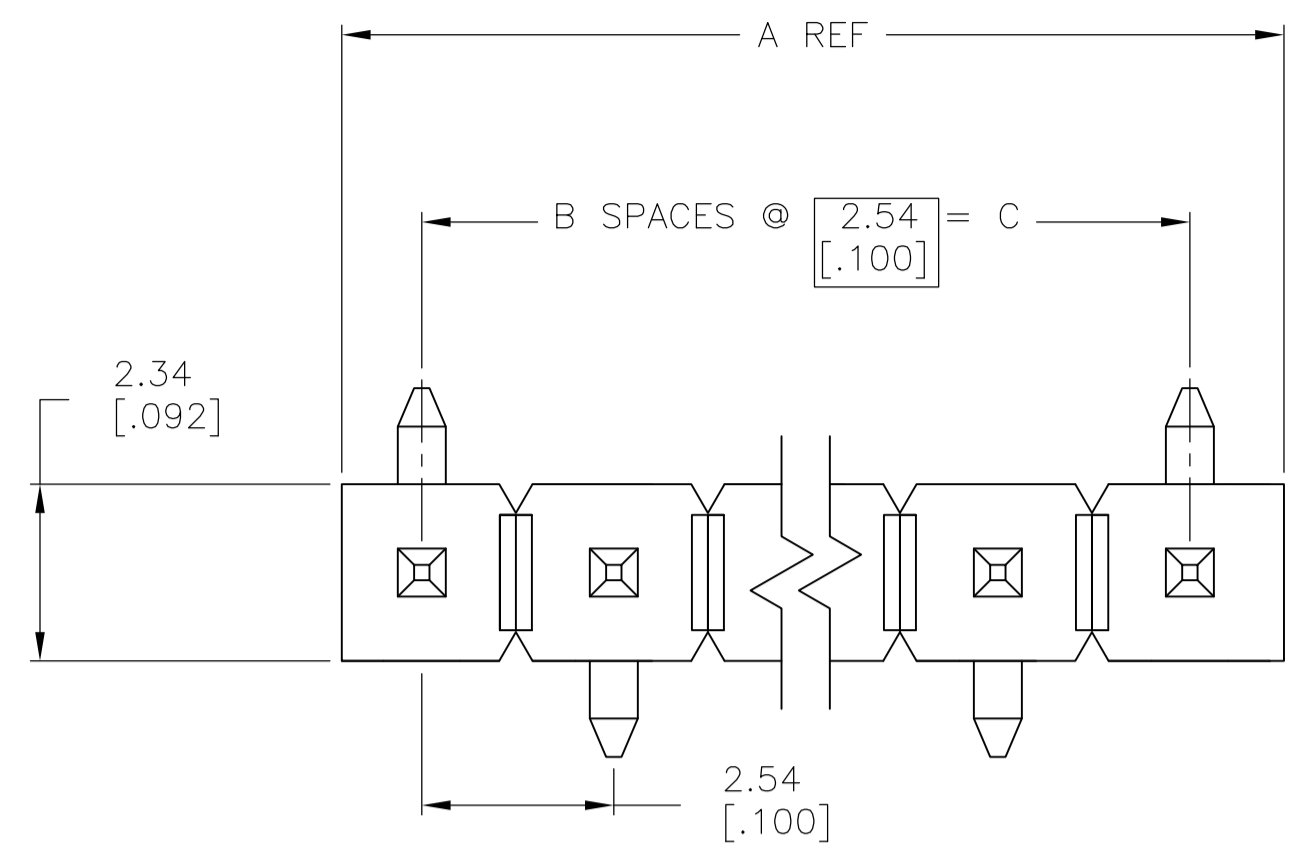


- 1 THE NOTED DIMENSIONS APPLY AT THE INTERSECTION OF THE POST AND THE HOUSING.
- 2 0.000762[.000030] GOLD ON CONTACT AREA, 0.00254[.000100]-0.00508[.000200] MATTE TIN-LEAD ON SOLDER TAIL, ALL OVER 0.00127[.000050] NICKEL.
- 3 HOUSING: LCP, COLOR-BLACK. POSTS: COPPER ALLOY.
- 4 0.000762[.000030] GOLD ON CONTACT AREA, 0.00254[.000100]-0.00508[.000200] MATTE TIN ON SOLDER TAIL, ALL OVER 0.00127[.000050] NICKEL.
- 5 OBSOLETE PARTS: OBSOLETE CIS STREAMLINING PER D.RENAUD/D.SINISI



RECOMMENDED PCB LAYOUT FOR USE WITH .008 THICK STENCIL

4	35.56 [1.400]	14	35.69 [1.484]	15	6-146129-3		
4	33.02 [1.300]	13	33.15 [1.384]	14	6-146129-2		
4	30.48 [1.200]	12	30.61 [1.284]	13	6-146129-1		
4	27.94 [1.100]	11	28.07 [1.184]	12	6-146129-0		
4	25.40 [1.000]	10	27.53 [1.084]	11	5-146129-9		
4	22.86 [0.900]	9	24.99 [0.984]	10	5-146129-8		
4	20.32 [0.800]	8	22.45 [0.884]	9	5-146129-7		
4	17.78 [0.700]	7	19.91 [0.784]	8	5-146129-6		
4	15.24 [0.600]	6	17.37 [0.684]	7	5-146129-5		
4	12.70 [0.500]	5	14.83 [0.584]	6	5-146129-4		
4	10.16 [0.400]	4	12.29 [0.484]	5	5-146129-3		
4	7.62 [0.300]	3	9.75 [0.384]	4	5-146129-2		
4	5.08 [0.200]	2	7.21 [0.284]	3	5-146129-1		
5	OBSOLETE	2	35.56 [1.400]	14	35.69 [1.484]	15	6-146129-3
5	SUPERSEDED	2	33.02 [1.300]	13	33.15 [1.384]	14	6-146129-2
5	SUPERSEDED	2	30.48 [1.200]	12	30.61 [1.284]	13	6-146129-1
5	SUPERSEDED	2	27.94 [1.100]	11	28.07 [1.184]	12	6-146129-0
5	SUPERSEDED	2	25.40 [1.000]	10	27.53 [1.084]	11	5-146129-9
5	OBSOLETE	2	22.86 [0.900]	9	24.99 [0.984]	10	5-146129-8
5	OBSOLETE	2	20.32 [0.800]	8	22.45 [0.884]	9	5-146129-7
5	SUPERSEDED	2	17.78 [0.700]	7	19.91 [0.784]	8	5-146129-6
5	SUPERSEDED	2	15.24 [0.600]	6	17.37 [0.684]	7	5-146129-5
5	OBSOLETE	2	12.70 [0.500]	5	14.83 [0.584]	6	5-146129-4
5	SUPERSEDED	2	10.16 [0.400]	4	12.29 [0.484]	5	5-146129-3
2	7.62 [0.300]	3	9.75 [0.384]	4	146129-2		
2	5.08 [0.200]	2	7.21 [0.284]	3	146129-1		
PLATING	C	B	A	NO OF POSN	PART NUMBER		

THIS DRAWING IS A CONTROLLED DOCUMENT.

DIMENSIONS: mm [INCHES]	TOLERANCES UNLESS OTHERWISE SPECIFIED:	0 PLC ± -	1 PLC ± -	2 PLC ± 0.13[.005]	3 PLC ± -	4 PLC ± -	ANGLES ± -
MATERIAL	FINISH	WEIGHT	SIZE	CODE	DRAWING NO	RESTRICTED TO	
3	SEE TABLE	-	A1	00779	146129	-	

CUSTOMER DRAWING SCALE 10:1 SHEET 1 OF 1 REV L