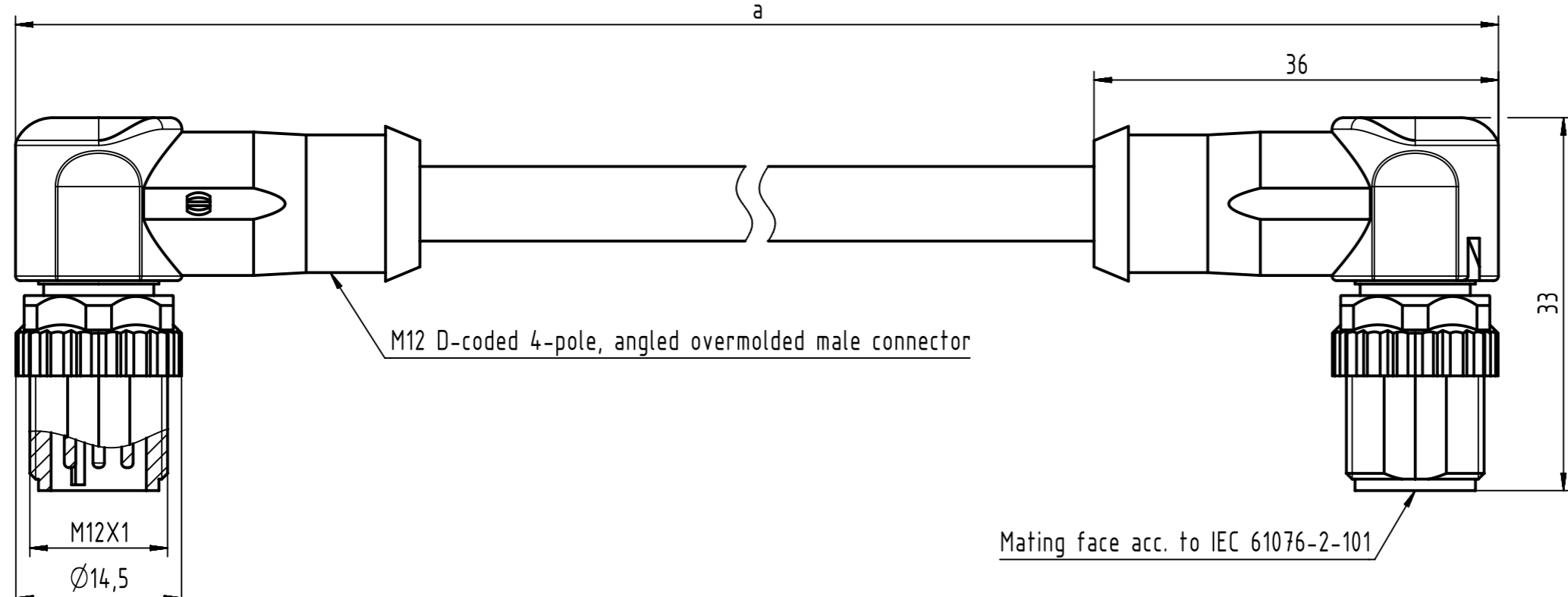


Connector Location A

Connector Location B



M12 D-coded 4-pole, angled overmolded male connector

Mating face acc. to IEC 61076-2-101

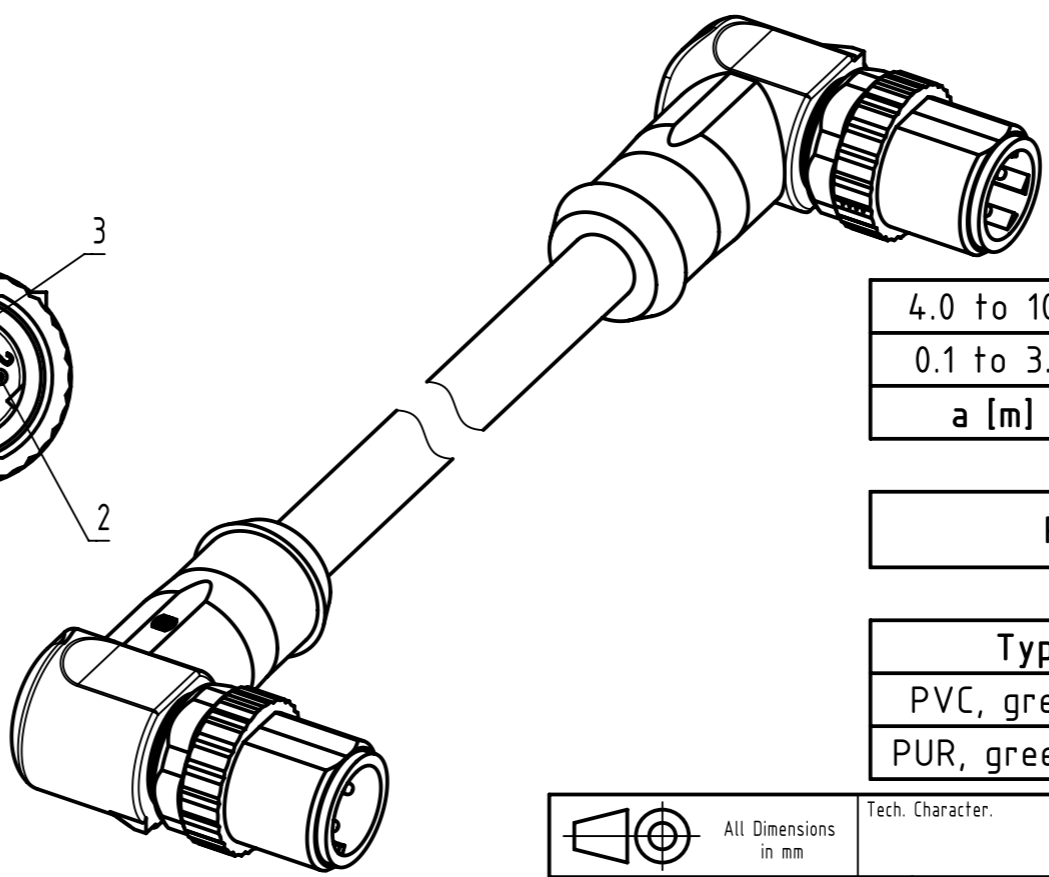
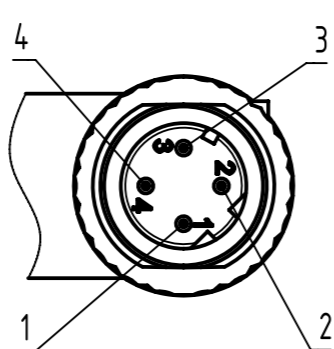
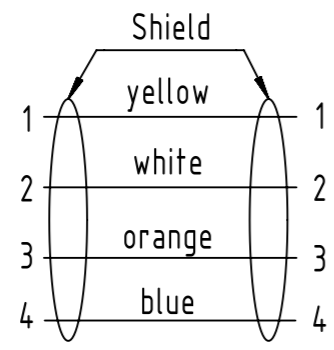
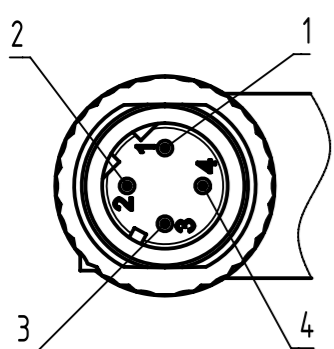
X ↑

Y ↑

X

Loading-Plan:

Y



4.0 to 100	+1%
0.1 to 3.9	+0.04
a [m]	Tolerance

length in "1m" step	100	XXX=000
	99	XXX=990

	12	XXX=120
	11	XXX=110
length in "0.1m" step	10	XXX=100
	9.9	XXX=099
	9.8	XXX=098

	0.4	XXX=004
	0.3	XXX=003
	0.2	XXX=002
	0.1	XXX=001
Step	a [m]	XXX

Part no.	213494944XXXXX
----------	----------------

Type of cable	XX
PVC, green, 4xAWG22/7	XX=05
PUR, green, 2x2xAWG22/7	XX=77

- Protection level: IP 65/67
 - Temperature range: -30°C ... +70°C

	All rights reserved Department HCS - RO	Created by MUNTEANV	Inspected by POPESCU	Standardisation AVRAM	Date 2017-04-06	State Final Release
HARTING Customised Solutions D-32427 Minden		Title M12 D-coded Cable Assembly		Doc-Key / ECM-Nr. 100588529/UGD/000/D 500000117781		Rev. D
		Type TB	Number 213494944XXXXX		Page 1/1	

Mouser Electronics

Authorized Distributor

Click to View Pricing, Inventory, Delivery & Lifecycle Information:

HARTING:

[21349494405010](#) [21349494477010](#) [21349494405050](#) [21349494477050](#) [21349494405015](#) [21349494405020](#)
[21349494405075](#) [21349494405005](#) [21349494477020](#) [21349494477100](#) [21349494477005](#) [21349494477075](#)
[21349494405100](#) [21349494477015](#) [21349494477200](#)