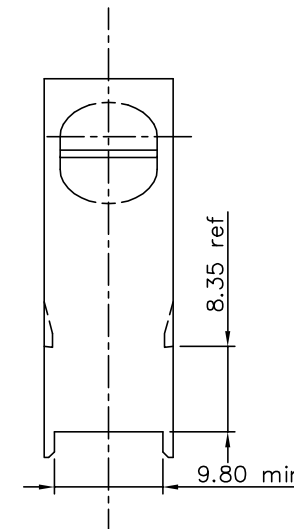
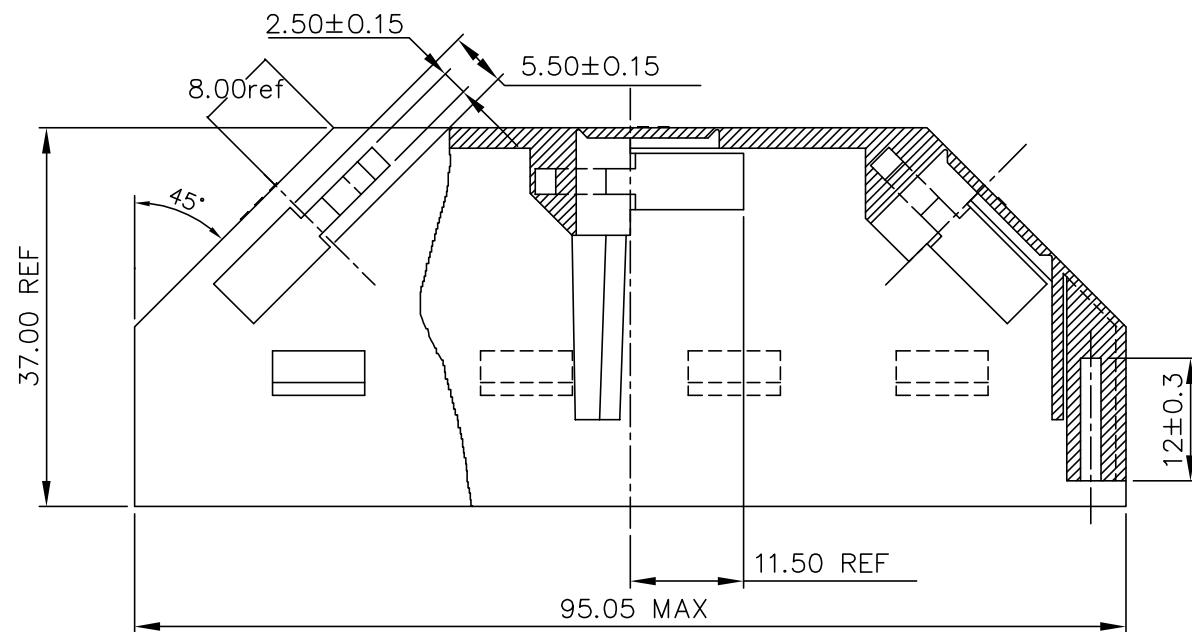
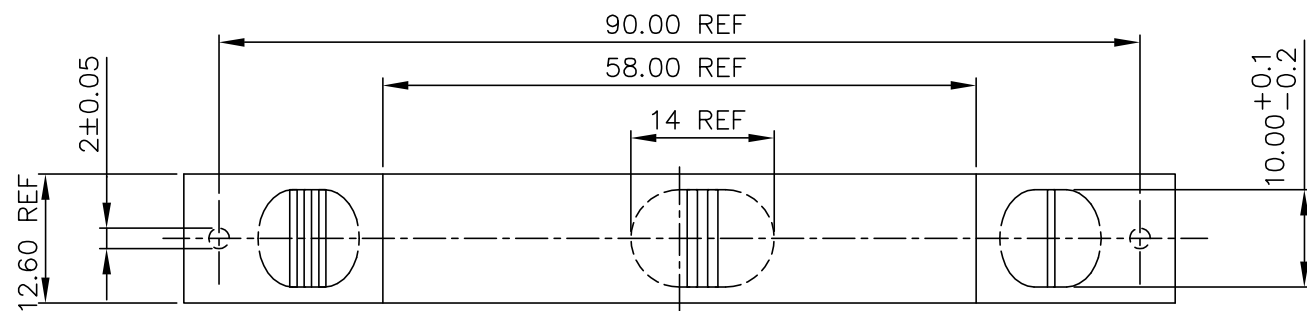


PRODUCT NUMBER	MATERIAL	COLOUR	FLAME RETARDANT
65155-001	PPO	BLACK RAL 9005	UL-94-V1
65155-002	PPO	GREY RAL 7035	UL-94-V1

NOTES:-

1. THIS PRODUCT MEETS EUROPEAN UNION DIRECTIVES AND OTHER COUNTRY REGULATIONS AS DESCRIBED IN GS-22-008.
2. LEADFREE OR RoHS DIRECTIVE LABELLING TO BE PROVIDED AS PER GS-14-920.
3. " LF " SUFFIX TO PRODUCT NUMBER FOR RoHS COMPATIBLE/ LEADFREE VERSION.
4. PARTS WITH AND WITHOUT "LF " SUFFIX ARE FORM-FIT AND FUNCTIONALLY IDENTICAL. " LF " SUFFIX PROVIDED FOR PART NUMBER STANDARDISATION OF PART THAT MEETS RoHS REQUIREMENTS.
5. THE THREE CABLE ENTRIES ARE IDENTICAL



mat'l. code		surface	tolerance	projection	product family
SEE TABLE		ISO 1302	ISO 406	ISO 101	
ltr	ecn no	dr	date	tolerances unless otherwise specified	title
H	H00418	MVI	1990-09-07	angles	COVER UNIVERSAL
J	H80467	LGI	1998-07-23	linear	
K	05-0248	MINI	2005-11-22	scale	mm
L	06-0068	MINI	2006-06-01	dr	scale -
M	110-0111	KR	2010-05-12	engr	scale -
				chr	scale -
				appd	scale -
sheet index	revision sheet	M	1		product family
					title
					COVER UNIVERSAL
					dwg no
					65155
					sheet 1 of 1
					size
					A2
					type
					CUSTOMER Drawing

FCJ  
FCconnect.com

Copyright FCJ

# Mouser Electronics

Authorized Distributor

Click to View Pricing, Inventory, Delivery & Lifecycle Information:

[FCI / Amphenol:](#)

[65155-002LF](#) [65155-001LF](#)