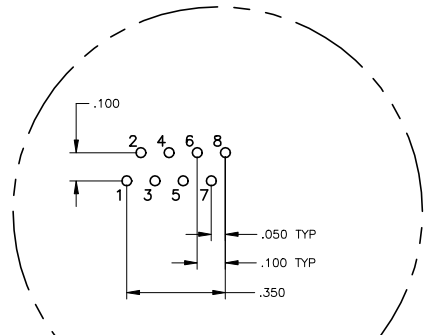
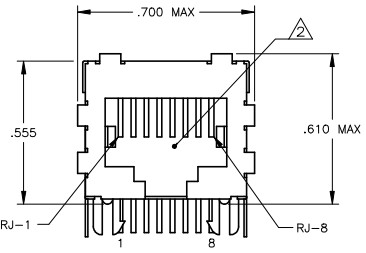
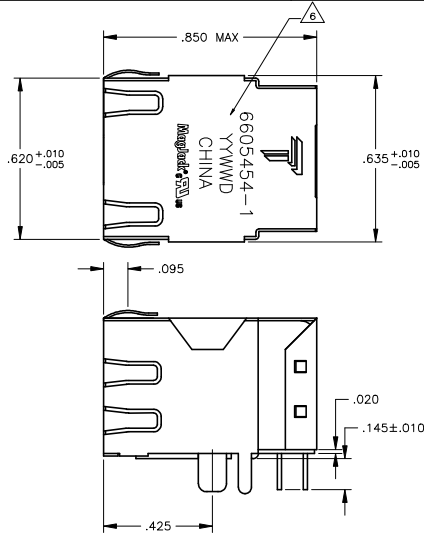


THIS DRAWING AND THE SUBJECT MATTER SHOWN THEREON ARE CONFIDENTIAL AND THE PROPERTY OF BEL/STEWART/TRP CONNECTOR AND SHALL NOT BE REPRODUCED, COPIED, OR USED IN ANY MANNER WITHOUT THE WRITTEN CONSENT OF TRP CONNECTOR.

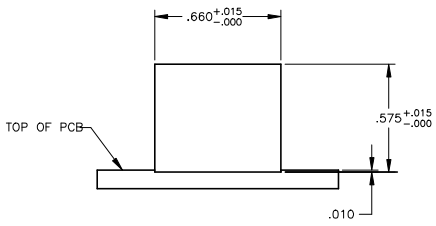
PRODUCT MAY BE PROTECTED BY ONE OR MORE OF THE FOLLOWING US PATENTS:  
 5736910 5939955 6425781 6428361 6554638 6840817 7123117  
 7429195 7717749 7808751 6217391 6149050 7924130

REVISIONS				
REV	DESCRIPTION	DATE	BY	APP
E	EC-1411035 COMPANY LOGO CHANGE	28DEC2014	ST	TL

**MECHANICAL:**

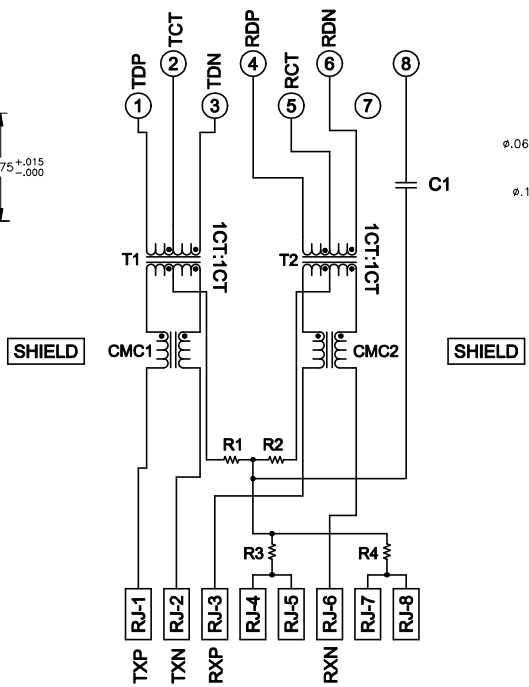


**Pin Designations**

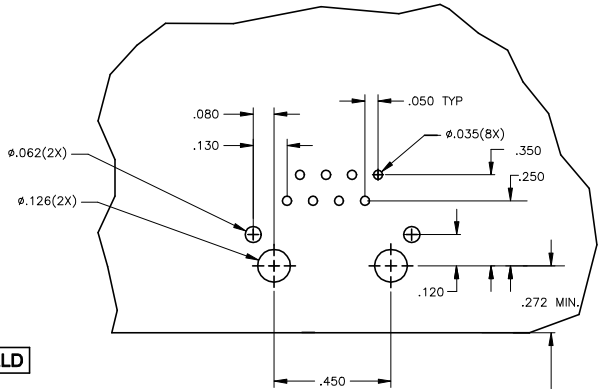


**Suggested Panel Cutout**

**426P1ET SERIES MAGNETIC CIRCUIT**



C1 = 1000 pF, 2KV CAPACITOR  
 R1-R4 = 75 OHMS, 1/16 W RESISTORS



**Suggested PCB Layout**  
 (Component Side)

- 1 MATERIALS:  
 HOUSING - THERMOPLASTIC PET POLYESTER FLAMMABILITY RATING UL 94V-0, SHIELD - .010" THICK, C26800 BRASS PREPLATED WITH 30µINCH MIN SEMI-BRIGHT NICKEL. SOLDER TABS POST DIPPED WITH 100µINCH MIN SAC SOLDER. MOD JACK CONTACTS - 0.0157 X 0.018" PHOSPHOR BRONZE, 50µINCH MIN OVERALL NICKEL UNDERPLATE WITH SELECT 50µINCH MIN HARD GOLD FINISH PLATE. SOLDER TAILS WITH 100µINCH MIN MATTE TIN AND/OR SAC SOLDER DIP.
- ⚠️ RJ45 JACK CAVITY CONFORMS TO FCC RULES AND REGULATIONS PART 68, SUB PART F.
- ⚠️ MAGNETICS  
 -IMPEDANCE: 100 OHMS  
 -TURNS RATIO (CHIP-CABLE): TX = 1:1, RX = 1:1  
 -OPEN CIRCUIT INDUCTANCE (OCL): 350µH MIN @100kHz, 0.1VRMS, 8mA DC BIAS FROM -40°C TO +85°C, TX AND RX  
 -PERFORMANCE @ 25°C:  
 INSERTION LOSS (IL): 1.1dB MAX FROM 0.5MHz TO 100MHz  
 RETURN LOSS (RL): 18dB MIN FROM 0.5MHz TO 30MHz  
 18-20LOG(f/30)dB MIN FROM 30.1MHz TO 60MHz  
 12dB MIN FROM 60.1MHz TO 80MHz  
 CROSSTALK ATTENUATION: 35dB MIN FROM 0.5MHz TO 40MHz  
 33-20xLOG(f/50)dB MIN FROM 40.1MHz TO 100MHz  
 COMMON MODE REJECTION RATIO (CMRR): 30dB MIN FROM 0.5MHz TO 100MHz  
 -ISOLATION VOLTAGE:2250VDC (MAX) FOR 60 SECONDS WITH A RISE TIME OF 500V/SEC.
- 4. OPERATING TEMPERATURE: FROM -40°C TO +85°C.
- ⚠️ INDICATED CONNECTIONS ARE FOR NIC CONFIGURATION. THE MAGNETICS ARE SYMMETRIC, AND SUPPORT AUTO-MDI/MDIX.
- ⚠️ TRP CONNECTOR LOGO, PART NUMBER, DATE CODE, COUNTRY OF ORIGIN AND AGENCY APPROVAL MARKING IN APPROXIMATE LOCATION SHOWN.
- 7. THE PART IS RECOMMENDED FOR WAVE SOLDERING PROCESS, PREHEAT TEMPERATURE IS 120°C TO 160°C, 120 SECONDS TO 180 SECONDS, PEAK SOLDERING TEMPERATURE IS 260 °C MAX, 10 SECONDS MAX.

6605454-1  
 PART NUMBER

THIS DRAWING IS A CONTROLLED DOCUMENT.		BY: A. FERNANDEZ-RODRIGUEZ	DATE: 01/12/2015
DIMENSIONS:		CHK: D. FAROLE	DATE: 01/12/2015
INCHES:		APP: D. FAROLE	DATE: 01/12/2015
UNLESS SPECIFIED:			
1. FINISH: 2. 3. 4. 5.			
6. 7. 8. 9. 10.			
11. 12. 13. 14. 15.			
16. 17. 18. 19. 20.			
21. 22. 23. 24. 25.			
26. 27. 28. 29. 30.			
31. 32. 33. 34. 35.			
36. 37. 38. 39. 40.			
41. 42. 43. 44. 45.			
46. 47. 48. 49. 50.			
51. 52. 53. 54. 55.			
56. 57. 58. 59. 60.			
61. 62. 63. 64. 65.			
66. 67. 68. 69. 70.			
71. 72. 73. 74. 75.			
76. 77. 78. 79. 80.			
81. 82. 83. 84. 85.			
86. 87. 88. 89. 90.			
91. 92. 93. 94. 95.			
96. 97. 98. 99. 100.			
PRODUCT SPEC: 108-2100		TRP CONNECTOR DONGGUAN CHINA 1X1 426P1ET 10/100 TAB DOWN W/O LED MAGJACK SINGLE NON-POE C-6605454 CUSTOMER DRAWING	
REVISIONS		SHEET 1 OF 1 REV E	

# Mouser Electronics

Authorized Distributor

Click to View Pricing, Inventory, Delivery & Lifecycle Information:

Bel:

[6605454-1](#)