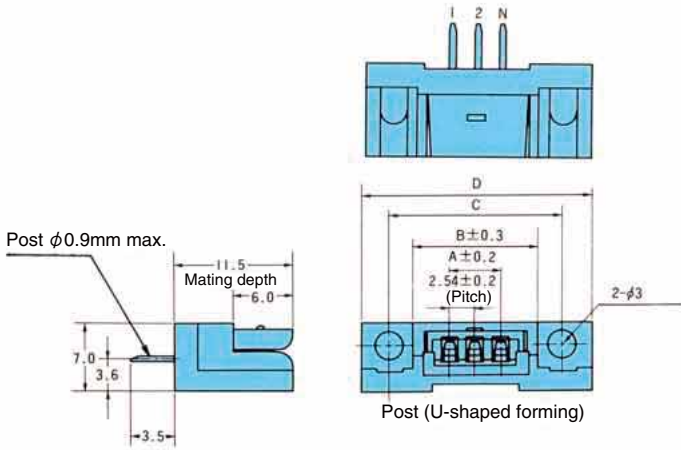


# SERIES 9021

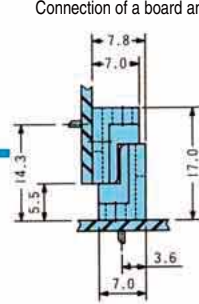
Single row type with  
flange for printed  
circuit boards

## Vertical

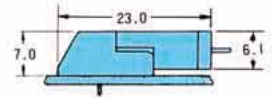


## Mating dimensions

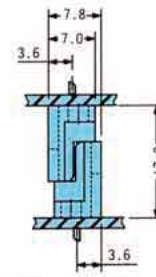
Connection of a board and board



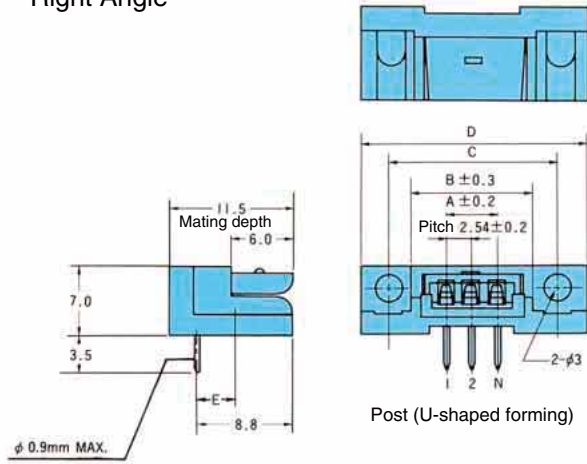
Connection of a board and crimped wire



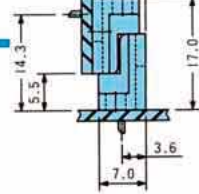
Vertical and Vertical types



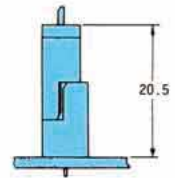
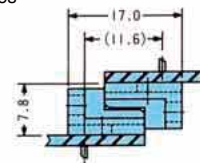
## Right Angle



Vertical and Right Angle types

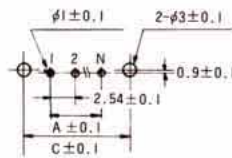


Right Angle and  
Right Angle types

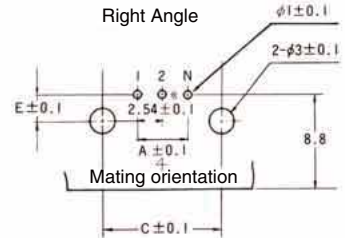


## Mounting dimensions on the P.C.board

Vertical



Right Angle



No. of positions	A	B	C	D	E	Remarks
6	12.70	20.70	25.65	31.7	2.4	With the locking structure
12	27.94	35.94	40.89	46.9	2.4	
16	38.10	46.10	51.05	57.1	2.4	
20	48.26	56.26	61.21	67.3	3.3	No locking structure

## Ordering code

Part number

00 9021 0613 00 339

No. of positions

**6,12,16,20**

Variation(Terminating type)

**13** : Right Angle

**14** : Vertical

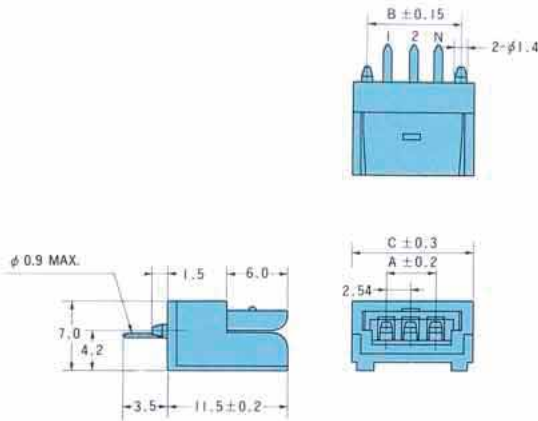
Plating code

**339** : Au plated

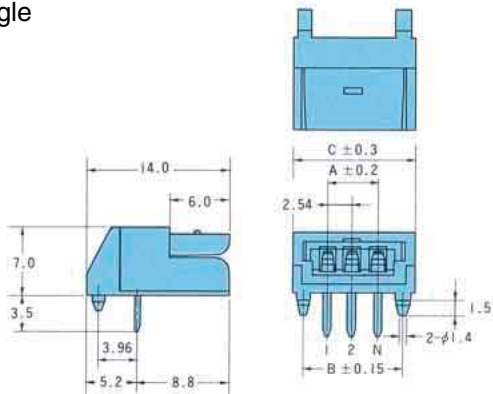
# SERIES 9021

Single row type with  
no flange for printed  
circuit boards

Vertical



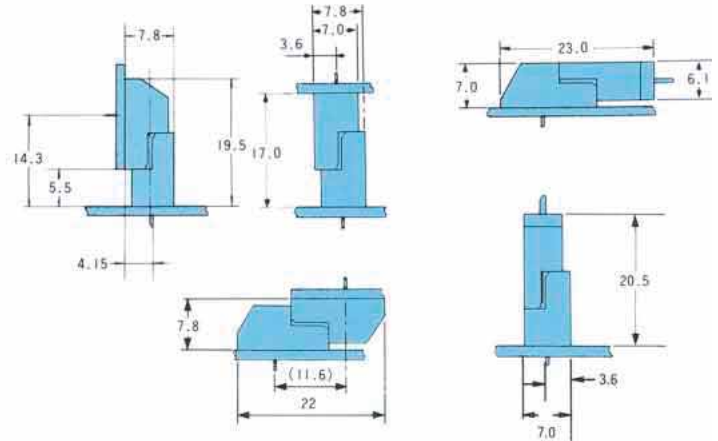
Right Angle



## Mating dimensions

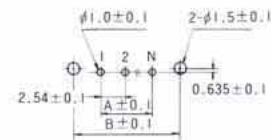
Connection of a board and board

Connection of a board and crimped wire

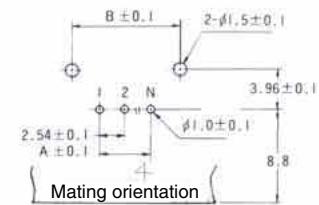


## Mounting dimensions on the P.C.board

Vertical



Right Angle



No. of positions	A	B	C	Remarks	
2	2.54	7.62	10.54	With the locking structure	
3	5.08	11.58	13.08		
4	7.62	12.70	15.62		
6	12.70	17.78	20.70		
8	17.78	22.86	25.78		
10	22.86	27.94	30.86		
12	27.94	33.02	35.94		
14	33.02	38.10	41.02		
16	38.10	43.18	46.10		
18	43.18	48.26	51.18		
20	48.26	53.34	56.26		No locking structure

Ordering code

Part number **00 9021 0211 00 339**

No. of positions

**2,3,4,6,8,10,12,14,16,18,20**

Variation(Terminating type)

**11** : Right Angle

**12** : Vertical (Note: 20Pos. is Right Angle type only.)

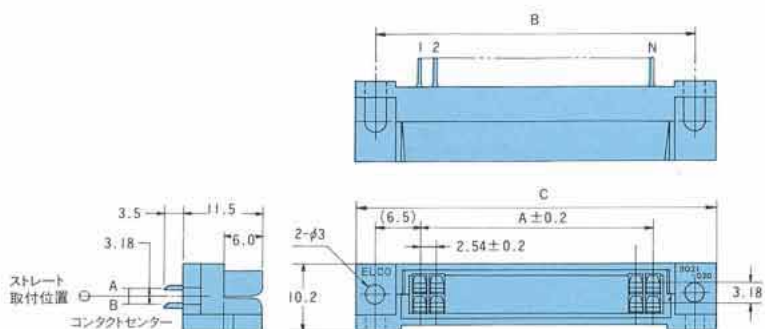
Plating code

**339** : Au plated

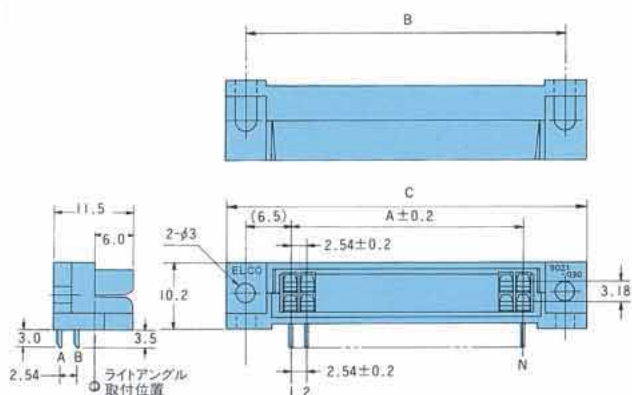
# SERIES 9021

Dual type for  
printed circuit boards

Vertical

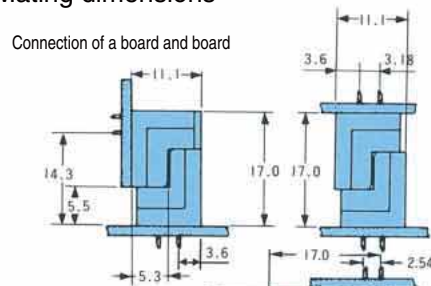


Right Angle

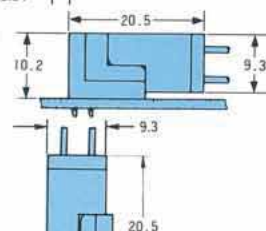


No. of positions	A	B	C
14 ( 7 / 7 )	15.24	—	23.24
20 (10/10)	22.86	35.81	41.9
26 (13/13)	30.48	43.43	49.5
30 (15/15)	35.56	48.51	54.6
36 (18/18)	43.18	56.13	62.2
40 (20/20)	48.26	61.21	67.3

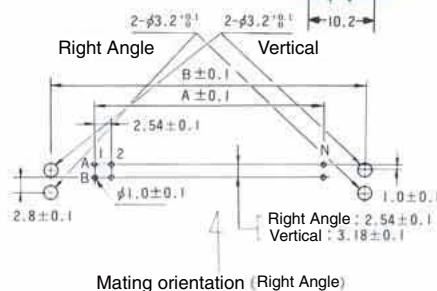
Mating dimensions



Connection of a board and crimped wire



Mounting dimensions  
on the P.C.board



Ordering code

Part number **00 9021 1421 00 339**

No. of positions

**14,20,26,30,36,40**

Variation(Terminating type)

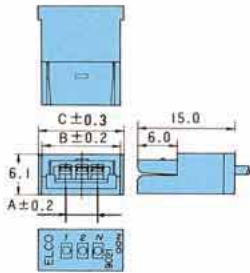
<b>21</b>	Right Angle type with no flange (only for 14-contact)
<b>22</b>	Vertical type with no flange (only for 14-contact)
<b>23</b>	Right Angle type with the flange
<b>24</b>	Vertical type with the flange

Plating code

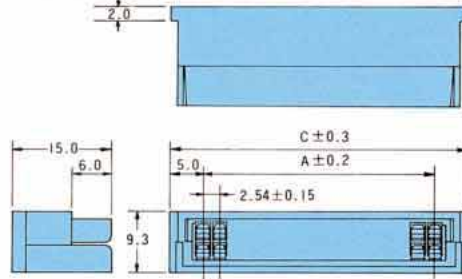
**339** : Au plated

## Crimp type

### Single type



### Dual type



### Single type

No. of positions	A	B	C
2	2.54	10.54	12.5
3	5.08	13.08	15.1
4	7.62	15.62	17.6
6	12.70	20.70	22.7
8	17.78	25.78	27.8
10	22.86	30.86	32.9
12	27.94	35.94	37.9
14	33.02	41.02	43.0
16	38.10	46.10	48.1
18	43.18	51.18	53.2
20	48.26	56.26	58.2

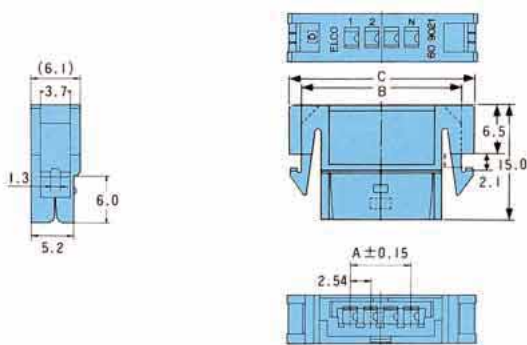
### Dual type

No. of positions	A	C
14 (7 / 7)	15.24	23.30*
20 (10/10)	22.86	32.86
26 (13/13)	30.48	40.48
30 (15/15)	35.56	45.56
36 (18/18)	43.18	53.18
40 (20/20)	48.26	58.26

\*with no flange

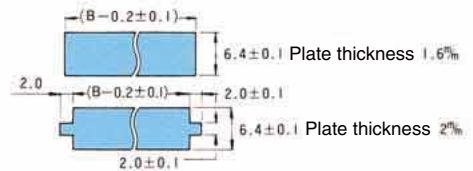
(Note) the location of flange for 14-position type is different from others.

## Panel mounted type



No. of positions	A	B	C
2	2.54	15.74	19.34
3	5.08	18.28	21.88
4	7.62	20.82	24.42
6	12.70	25.90	29.50
8	17.78	30.98	34.58
10	22.86	36.06	39.66
12	27.94	41.14	44.74

### Shape of the panel to be mounted



### Ordering code

#### Crimp type

Part number **60 9021 3024 10 000**

#### No. of positions

Single type : **2,3,4,6,8,10,12,14,16,18,20**

Dual type : **14,20,26,30,36,40**

#### Variation

**1** : Single type

**2** : Dual type

Color code

**000** : Green

#### Panel mounted type

Part number **60 9021 3028 16 000**

#### No. of positions

**2,3,4,6,8,10,12**

Color code

000:Green 001:White 002:Black

#### Contact

Part number **60 9021 0313 00 339**

#### Variation

**0313 00** : Contacts loose

**0323 99** : Reeled Contacts(10,000 contacts per reel)

Plating code

**339** : Au plated



# Mouser Electronics

Authorized Distributor

Click to View Pricing, Inventory, Delivery & Lifecycle Information:

## Kyocera:

[609021031300339](#) [609021302410000](#) [609021304410000](#) [609021306410000](#) [609021308410000](#)  
[609021303410000](#) [609021314420000](#) [609021031300891](#) [609021318410000](#) [609021320420000](#) [609021326420000](#)  
[609021330420000](#) [609021310410000](#) [609021312410000](#) [609021316410000](#) [609021031300853](#)  
[609021032399339](#) [609021032399853](#) [609021032399891](#) [609021302816000](#) [609021314410000](#) [609021320410000](#)  
[609021336420000](#) [609021340420000](#) [609021303816000](#) [609021304816000](#) [609021306816000](#)  
[609021308816000](#) [609021310816000](#) [609021312816000](#) [009021302400891SP](#) [009021142200339](#)  
[009021362300339](#) [009021302400339](#) [009021262400891SP](#) [009021142200891SP](#) [009021402400339](#)  
[009021142100891SP](#) [009021202300891SP](#) [009021262300339](#) [009021262300891SP](#) [009021202400891SP](#)  
[009021302300891SP](#) [009021362400891SP](#) [009021402300339](#) [009021362400339](#) [009021202300339](#)