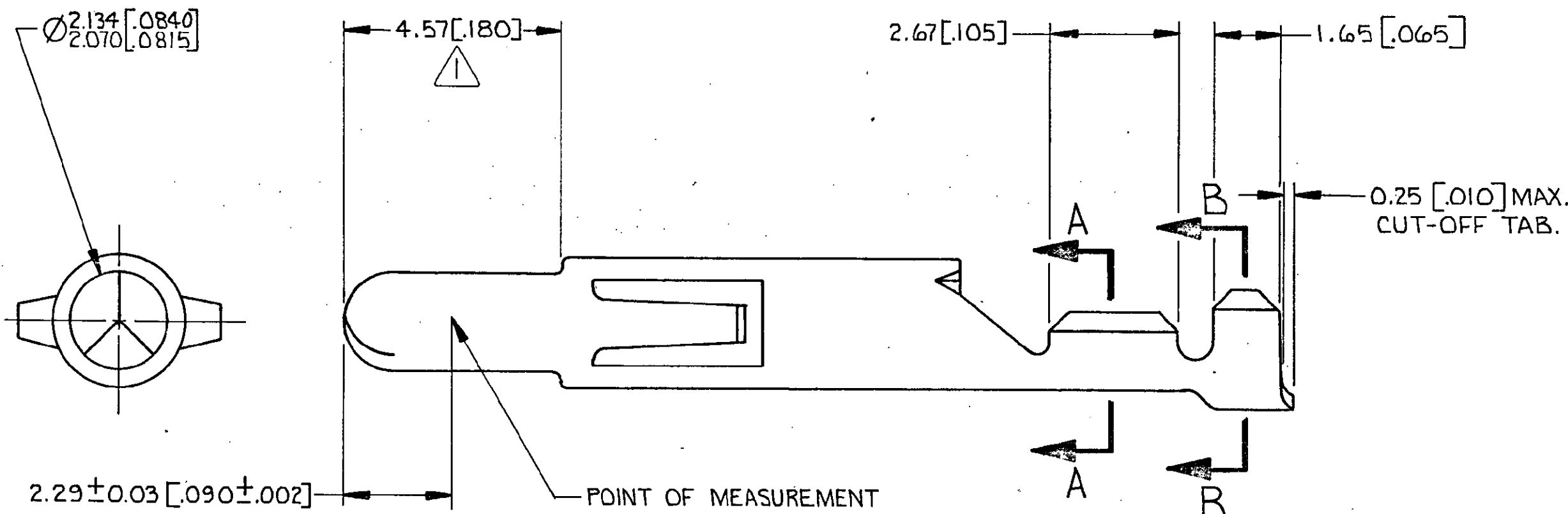
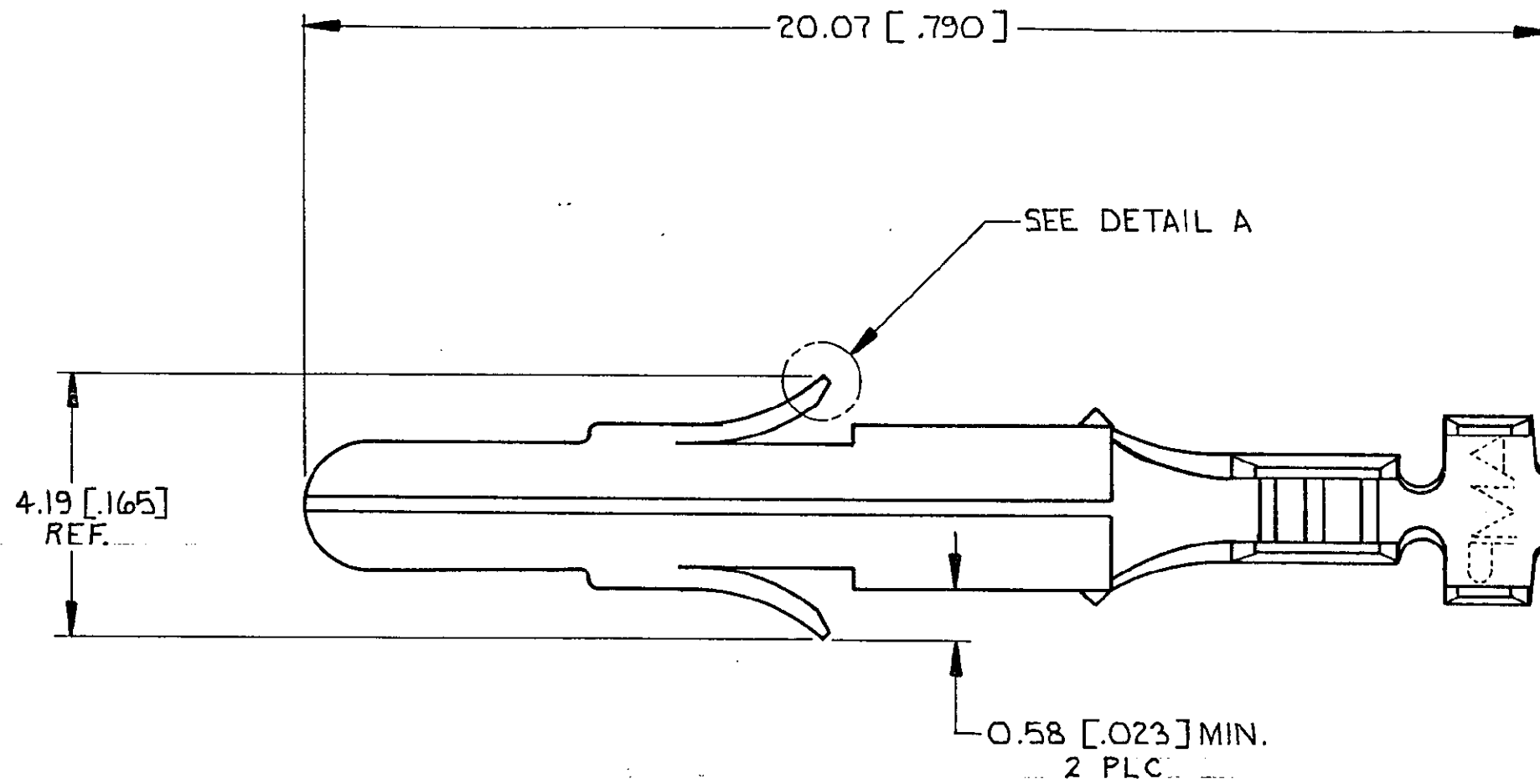
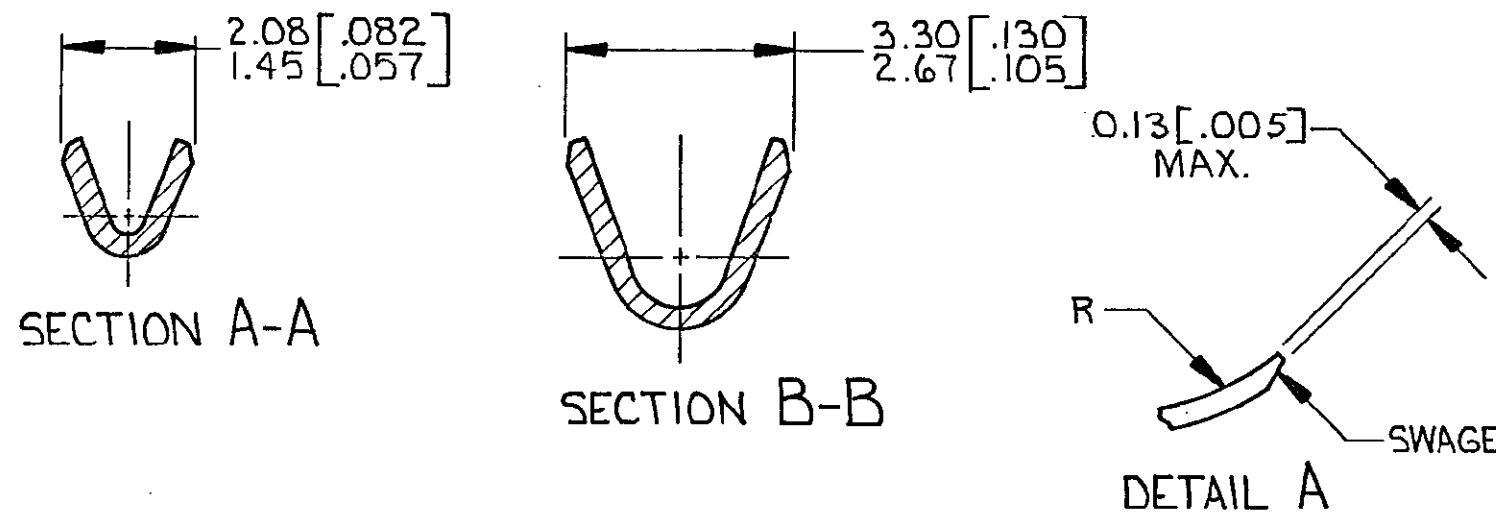


LOC	DIST	P	F	ZONE	LTR	REVISIONS	DATE	APPD
CM	53					O	RELEASED PER PR CM 90-28	2-26-90 PKC RS
						A	REVISED PER CM-3286	2-7-91 PKC RS
						B	REV PER EC 0730-3607-91	1-7-94 RV RS
						C	REV PER EC 0730-0156-94	8-24-94 RV RS



- 0.00076 - 0.00091 [.000030 - .000036] GOLD PLATE IN LOCALIZED GOLD PLATE AREA OVER 0.00127 [.000050] NICKEL UNDERPLATE ALL OVER. 0.00013 - 0.00020 [.000005 - .000008] GOLD FLASH ON REMAINDER OF CONTACT.
- DIMENSIONS IN BRACKETS ARE IN INCHES.
- WIRE RANGE: 0.05-0.15 mm² [30-26 AWG]
INSULATION RANGE: 0.81-1.45 [.032 - .057] DIA.

METRIC



UNLESS OTHERWISE SPECIFIED DIMENSIONS ARE IN INCHES TOLERANCES ON		DR <i>P. Collins</i> 2-26-90		AMP AMP INCORPORATED Harrisburg, Pa. 17105	
2 PL DEC ± _____	CHK <i>R. Suring</i> 3-2-90	NAME PIN, UNIVERSAL MATE-N-LOK™ LOOSE PIECE			
3 PL DEC ± 0.13 [.005]	APPD <i>M. Tull</i> 3-2-90				
ANGLES ± _____	APPD	MATERIAL SEE TABLE		FINISH SEE TABLE	PRE-TIN 0.30 [.012] PH BRZ 770672 -6
MATERIAL SEE TABLE		PRODUCT SPEC	DRAWING NO 770672		FINISH 0.30 [.012] BRASS 770672 -1
FINISH SEE TABLE		APPLICATION SPEC	SIZE C	FSCM NO 00779	SHEET 1 OF 1
		WEIGHT	SCALE 10:1	CUSTOMER DRAWING	

Mouser Electronics

Authorized Distributor

Click to View Pricing, Inventory, Delivery & Lifecycle Information:

[TE Connectivity:](#)

[770672-1](#)