

4

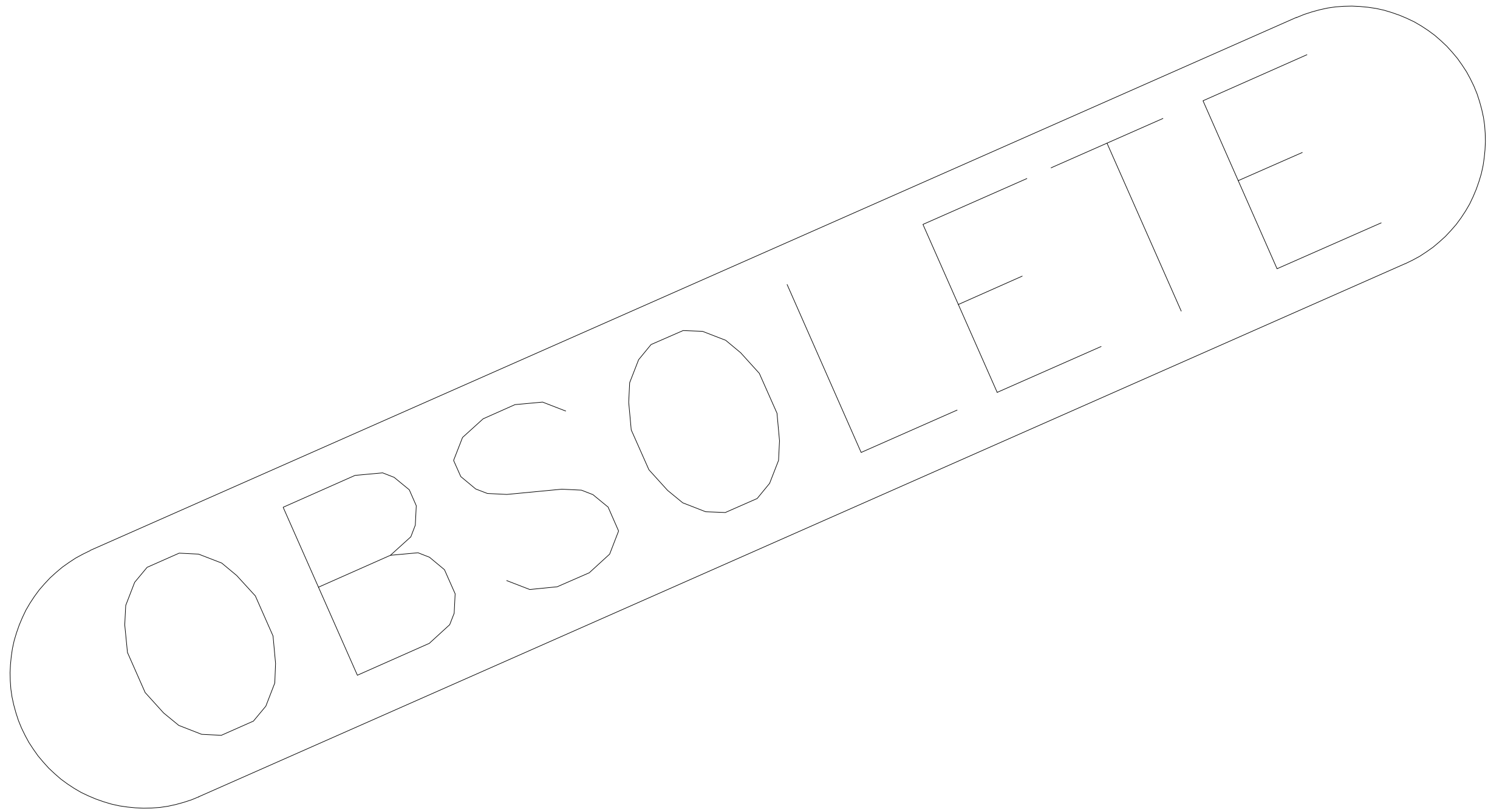
3


2

1

THIS DRAWING IS UNPUBLISHED. RELEASED FOR PUBLICATION - , - .
 © COPYRIGHT - By - ALL RIGHTS RESERVED.

LOC		DIST		REVISIONS			
P	LTR	DESCRIPTION		DATE	DWN	APVD	
-	-	-	-	OBSOLETE ALL PARTS	27JUL2015	I.T	W.H



THIS DRAWING IS A CONTROLLED DOCUMENT.		DWN	-	 TE Connectivity			
DIMENSIONS: mm		CHK	-				
TOLERANCES UNLESS OTHERWISE SPECIFIED:		APVD	-	NAME			
0 PLC ± -		PRODUCT SPEC		BOARD TO BOARD CONNECTOR			
1 PLC ± -		108-57578		0.5MM FINE MATE			
2 PLC ± -		APPLICATION SPEC		-			
3 PLC ± -		SIZE	A3	CAGE CODE	00779	DRAWING NO	C- -
4 PLC ± -		WEIGHT		RESTRICTED TO		-	
ANGLES ± -		CUSTOMER DRAWING		SCALE	1:1	SHEET	1 OF 1
MATERIAL	-	FINISH		REV		-	

Mouser Electronics

Authorized Distributor

Click to View Pricing, Inventory, Delivery & Lifecycle Information:

[TE Connectivity:](#)

[2-1775184-0](#)