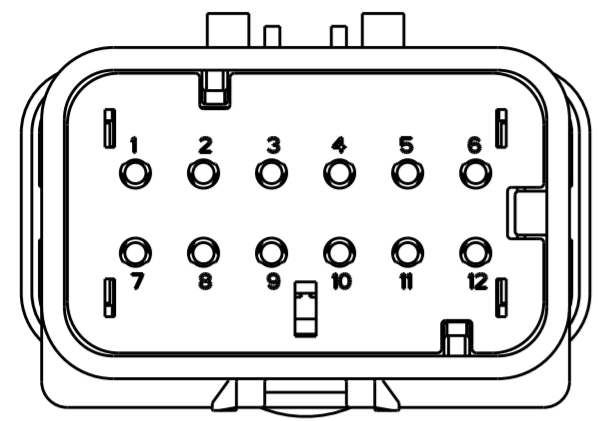
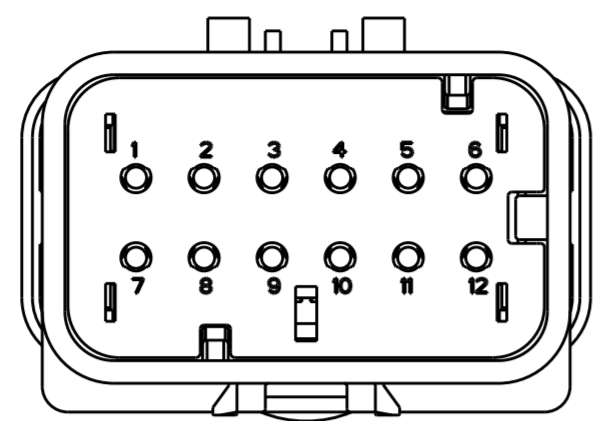


THIS DRAWING IS UNPUBLISHED
RELEASED FOR PUBLICATION
COPYRIGHT 20 BY - ALL RIGHTS RESERVED.

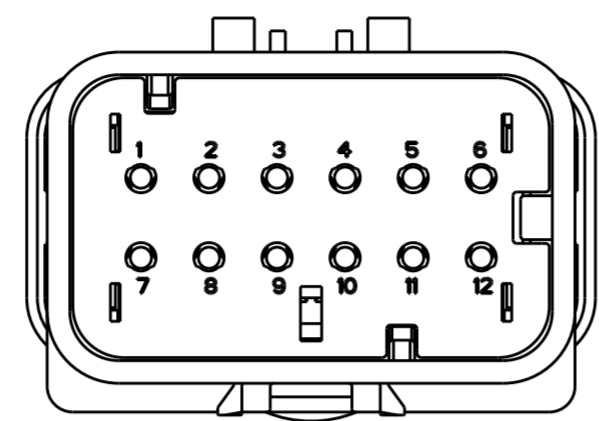
REVISIONS				
P	LTR	DESCRIPTION	DATE	APVD
C	I	REVISED PER ECO-11-005294	20APR2011	RK HMR
D	D	REVISED PER ECO-13-019231	09DEC2013	DR RB



776438-2
SCALE 2:1

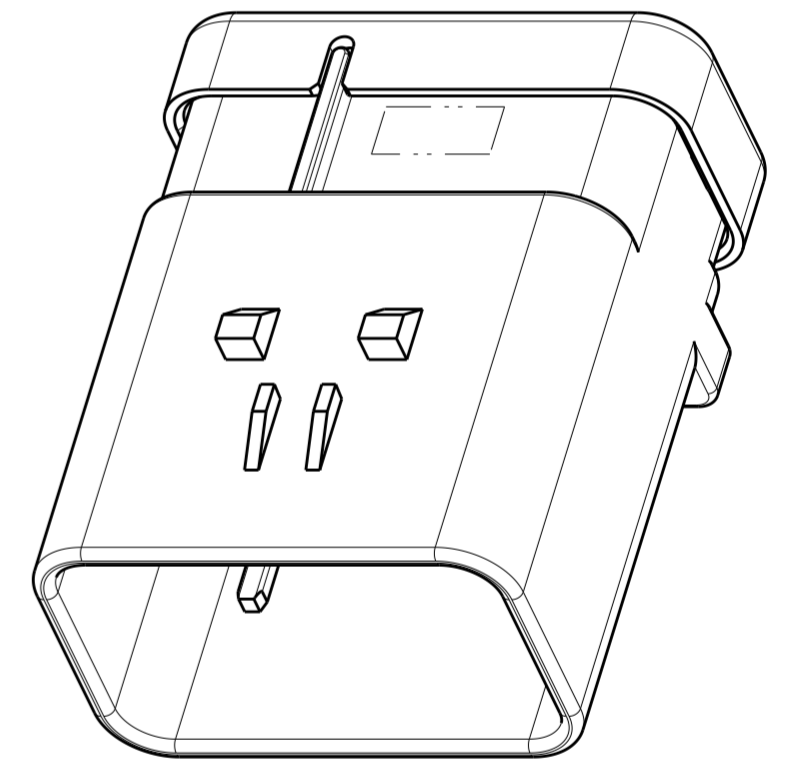
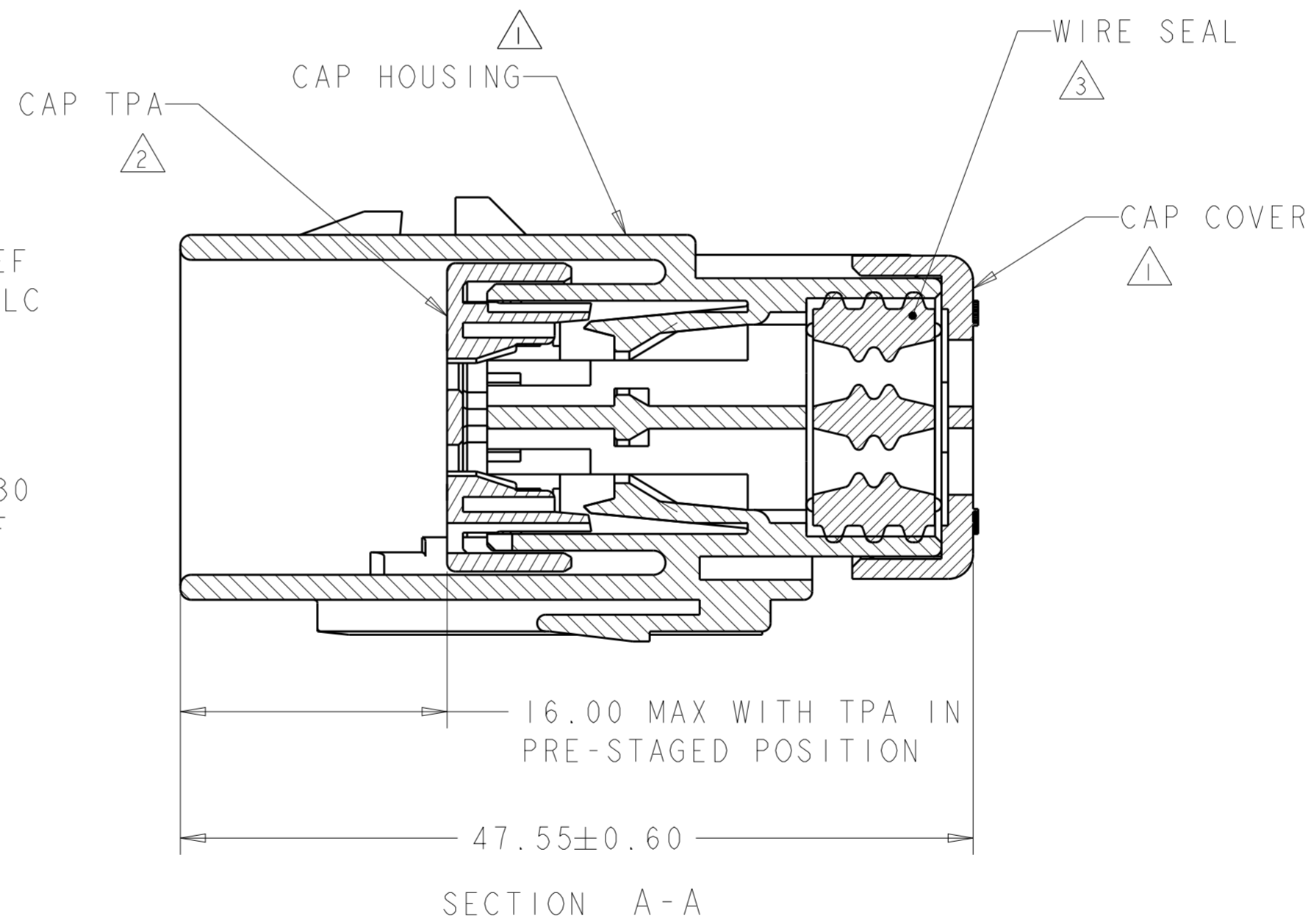
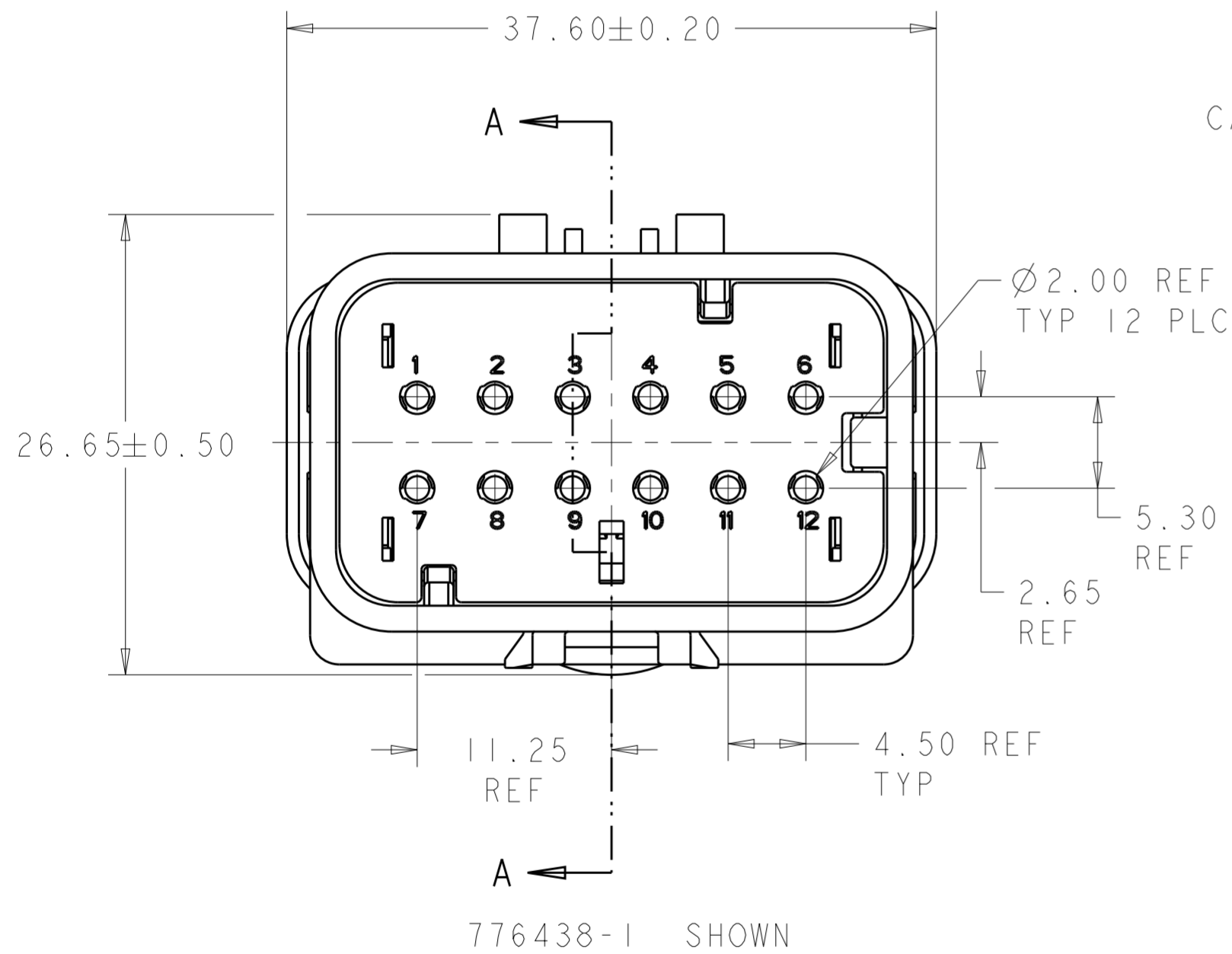


776438-3
SCALE 2:1



776438-4
SCALE 2:1

- ① MATERIAL: 15% GLASS FILLED THERMOPLASTIC
COLOR: BLACK
- ② MATERIAL: 15% GLASS FILLED THERMOPLASTIC
COLOR: (SEE TABLE)
- ③ MATERIAL: SILICONE
COLOR: GREEN



SCALE 2:1

GREEN	776438-4
YELLOW	776438-3
GRAY	776438-2
RED	776438-1
TPA COLOR	PART NUMBER

THIS DRAWING IS A CONTROLLED DOCUMENT.		DWN AJ GRAFF 06DEC99	STE TE Connectivity	
DIMENSIONS: mm		CHK R GREINER 03JAN02		
TOLERANCES UNLESS OTHERWISE SPECIFIED:		APVD M TRULLI 03JAN02	NAME CAP ASSEMBLY, 12 POSITION, DUAL ROW, AMPSEAL 16	
0 PLC ±		PRODUCT SPEC 108-2184	SIZE A2	
1 PLC ±		APPLICATION SPEC 114-13065	CAGE CODE -	
2 PLC ±		WEIGHT 22.5±1g	DRAWING NO G-776438	
3 PLC ±		Customer Drawing	RESTRICTED TO -	
4 PLC ±			SCALE 2:1 SHEET 1 OF 1 REV D	
ANGLES ±				
FINISH -				

Mouser Electronics

Authorized Distributor

Click to View Pricing, Inventory, Delivery & Lifecycle Information:

[TE Connectivity:](#)

[776438-4](#)