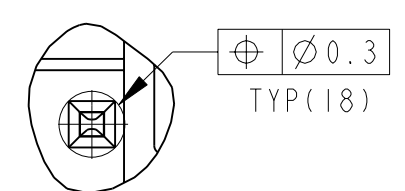
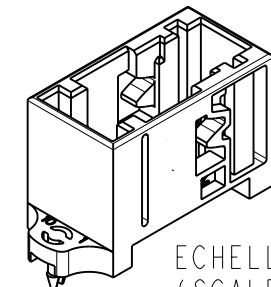
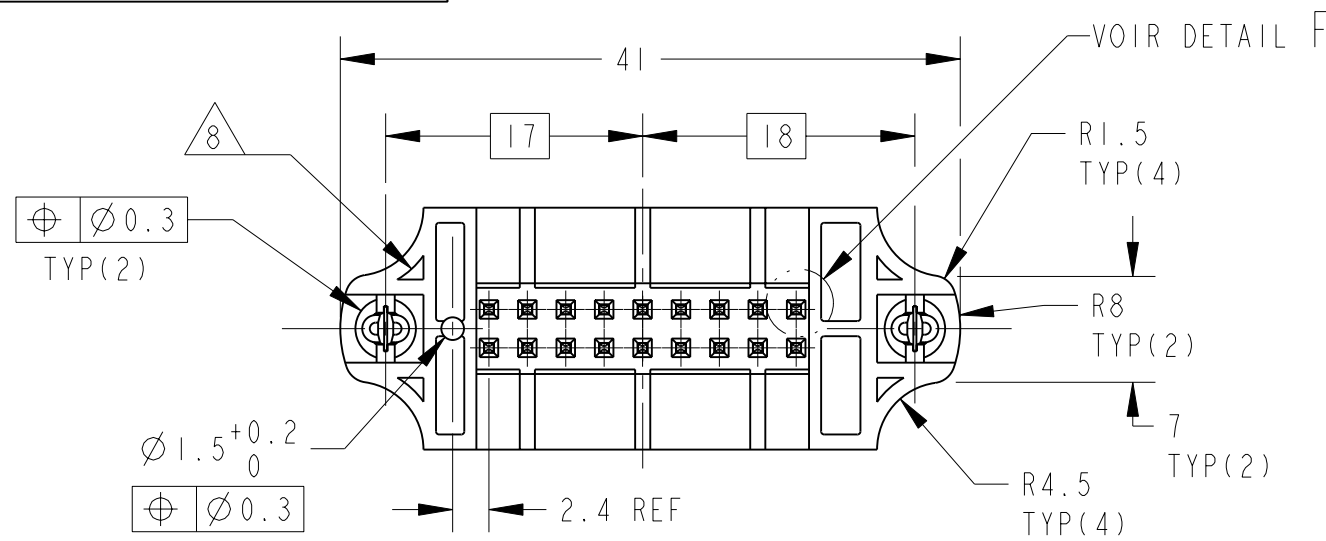


THIS DRAWING IS UNPUBLISHED. DIFFUSION RESTREINTE  
 RELEASED FOR PUBLICATION LIBRE A LA DIFFUSION  
 BY TYCO ELECTRONICS CORPORATION. ALL RIGHTS RESERVED. TOUS DROITS RESERVES

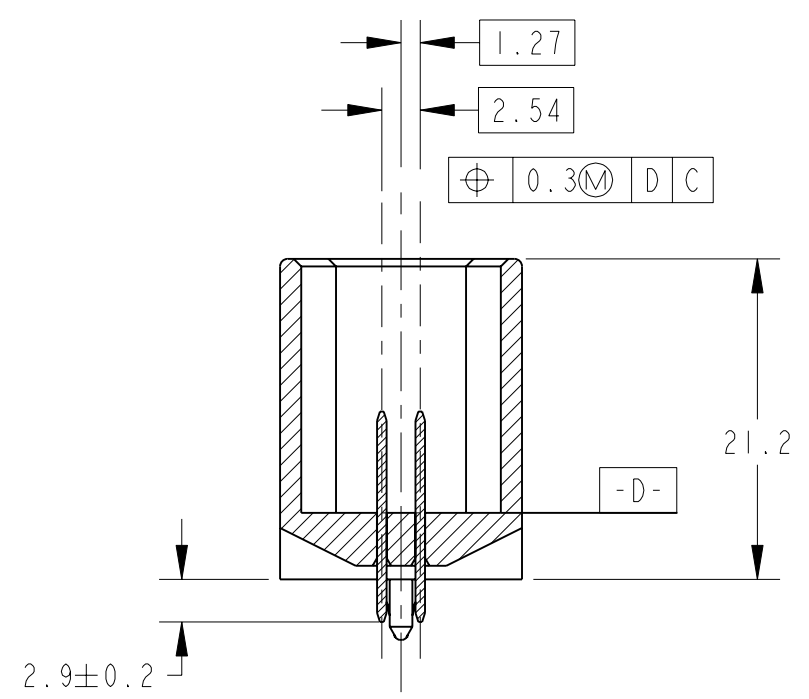
LOC	DIST	REVISIONS			
P	LTR	DESCRIPTION MODIFICATIONS	DATE	DWN DESS.	APVD APP.
F	7				
G		MODIF. IDENTIFICATION LOGO	05/03/09	AD	JL
H		AJOUT NOUVELLE VERSION SUR FEUILLE 2/2	20AUG2009	AD	JL



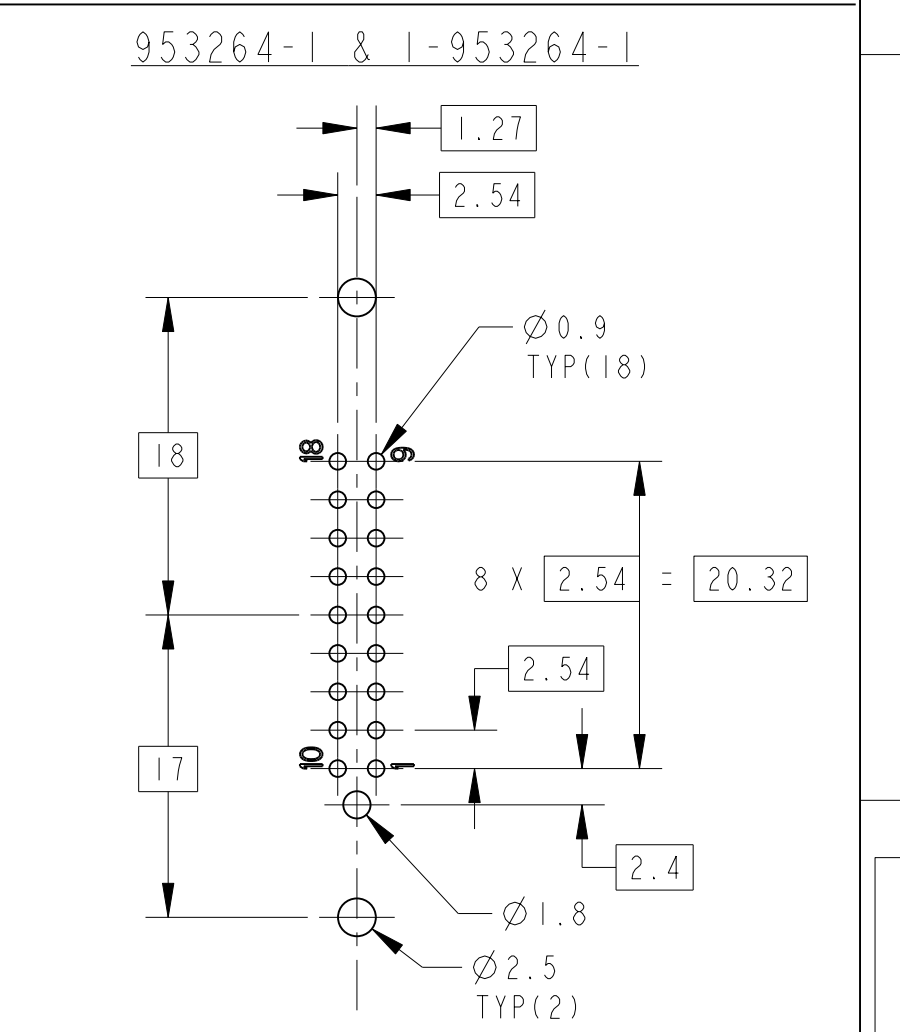
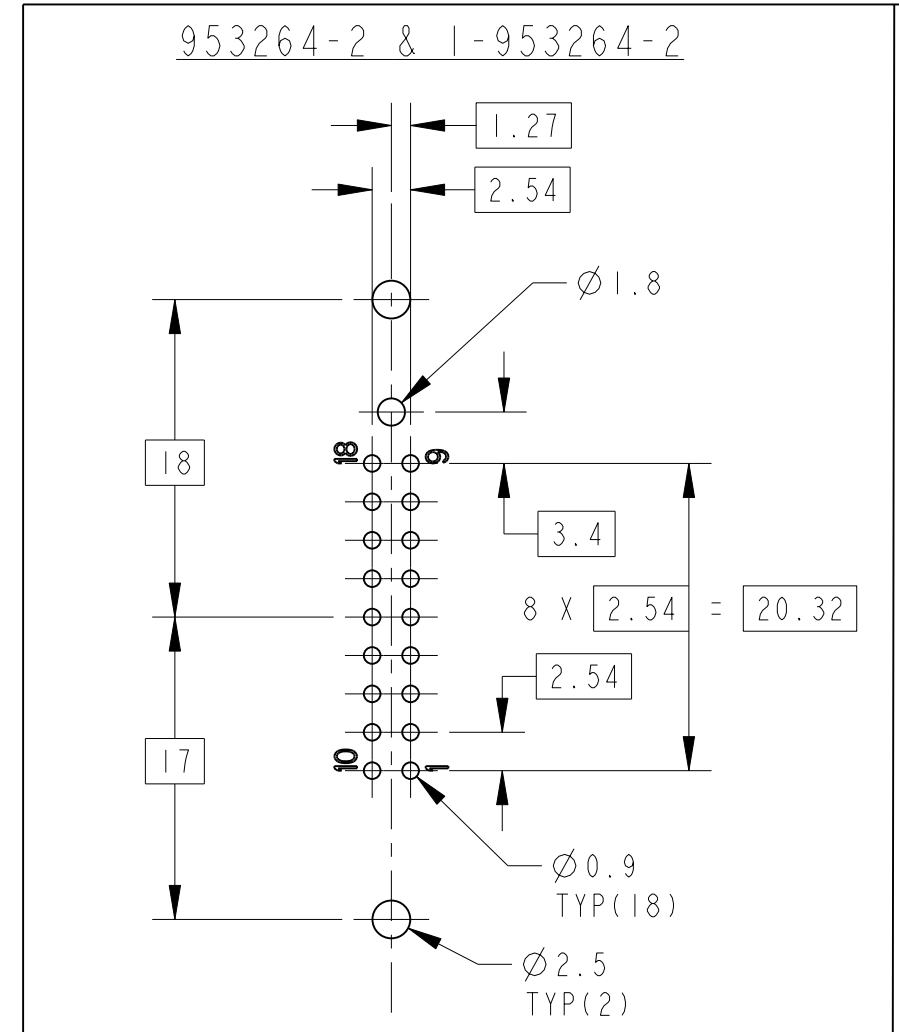
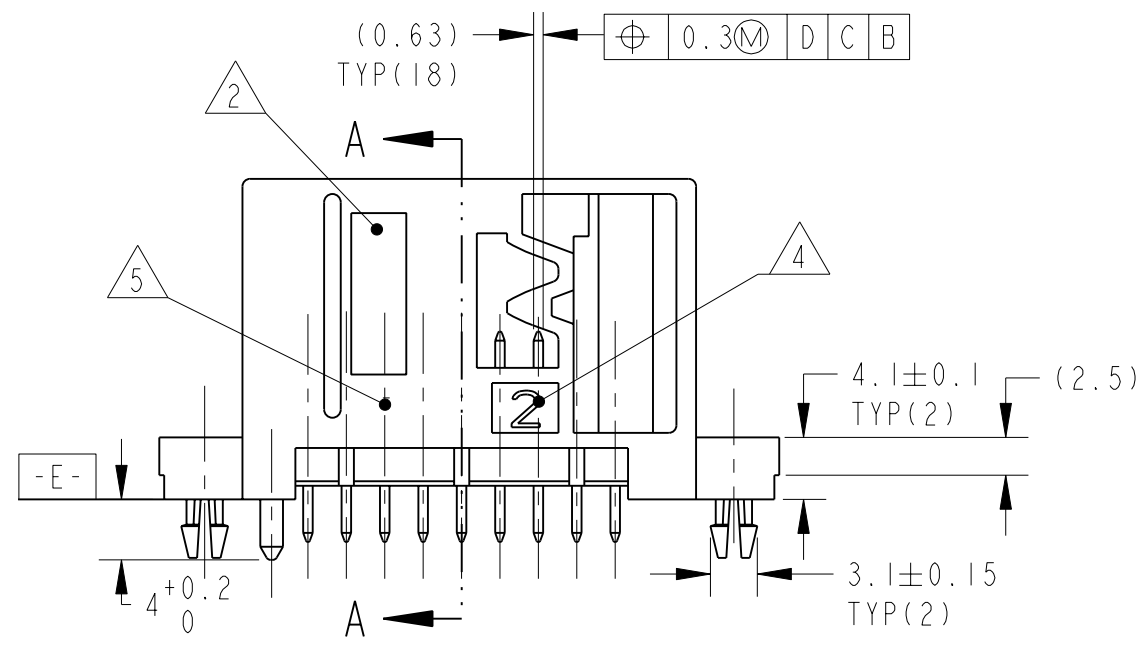
DETAIL F  
 ECHELLE 5:1  
 (Scale 5:1)



ECHELLE 1:1  
 (SCALE 1:1)



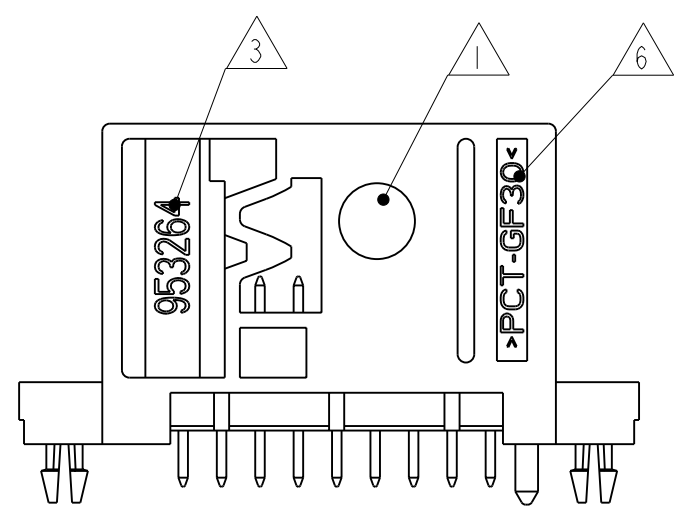
COUPE A-A  
 (Section A-A)



EPAISSEUR C.1: 1.6±0.15  
 (PCB THICKNESS: 1.6±0.15)

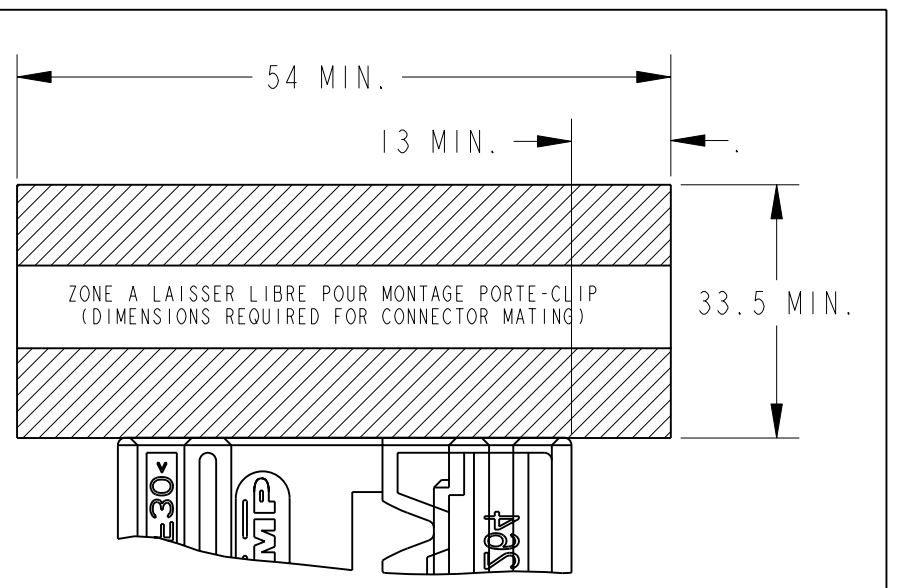
RECOMMANDATION IMPLANTATION C.1 - VUE DE DESSUS  
 (RECOMMENDED PCB DETAILS - VIEW FROM TOP)

	NOIR (BLACK)	POST-ETAME SELECTIF (POST-TIN SELECTIVE)	1-953264-2
		PRE-ETAME (PRE-TIN) (F)	953264-2
	BLANC (WHITE)	POST-ETAME SELECTIF (POST-TIN SELECTIVE)	1-953264-1
		PRE-ETAME (PRE-TIN) (F)	953264-1
DETROMPAGES (ECHELLE 1:1) (CODINGS (SCALE 1:1))		COULEUR (COLOR)	REFERENCE ASSEMBLEE (P/N ASS'Y)



NOTES:

- 1 DATE CODE (DATE CODE)
- 2 RELEASED TYCO/Electronics LOGO
- 3 REFERENCE DU PRODUIT ASSEMBLE (ASS'Y PART NUMBER)
- 4 N°D'EMPREINTE DU MOULE (CAVITY MARKING)
- 5 REVISION DU MOULE (REVISION STATUS)
- 6 MATIERE (MATERIAL REFERENCE)
- 7. CONTRE-PARTIE: CONNECTEUR REF 185307 ET 185315 (MATING PART: CONNECTORS P/N 185307 AND 185315)
- 8 EVIDEMENTS OPTIONNELS (OPTIONAL HOLES)



EN ACCORD AVEC LA SPECIFICATION D'INTERFACE 208-15545 (ACCORDING TO INTERFACE SPECIFICATION 208-15545)

PCT GF30	CuSn6
MATIERE EMBASE (MATERIAL HOUSING)	MATIERE CONTACT (MATERIAL CONTACT)

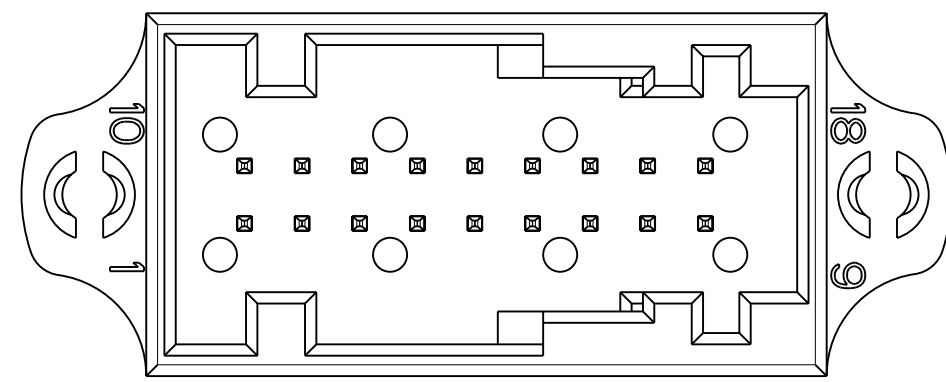
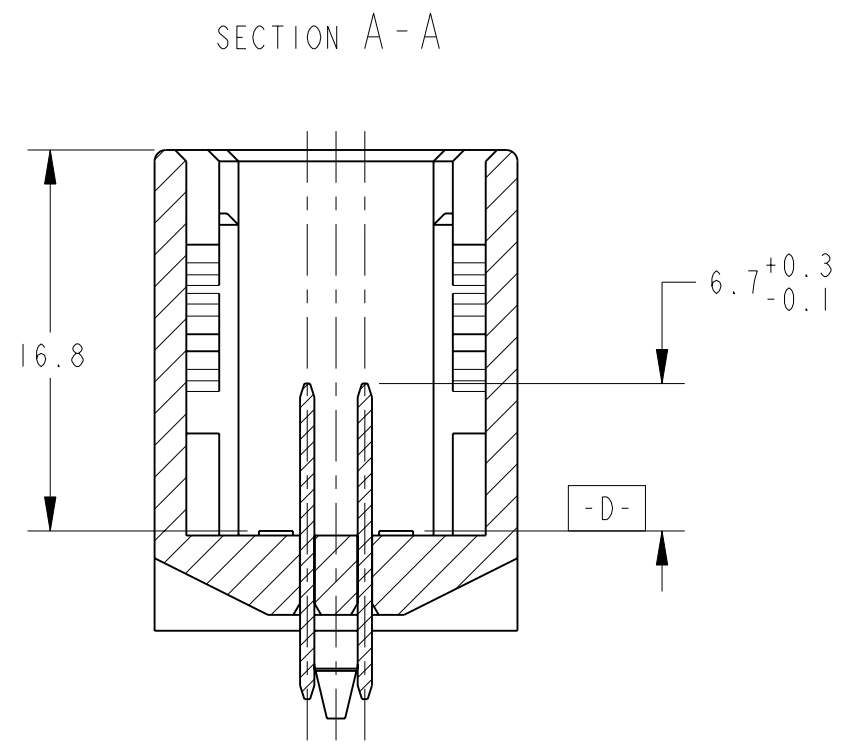
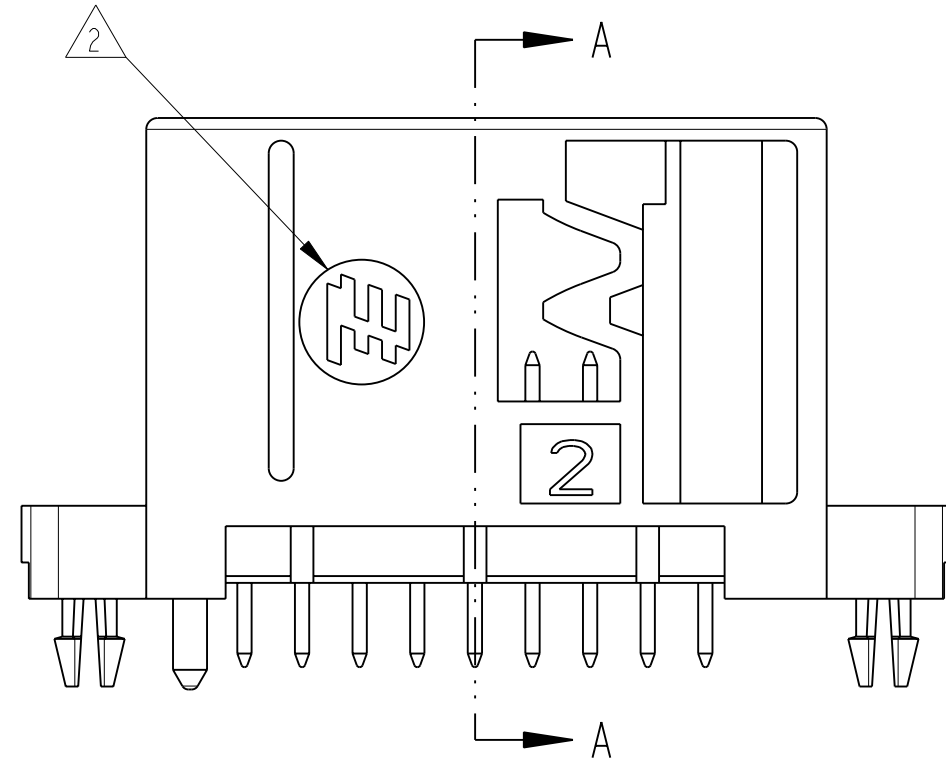
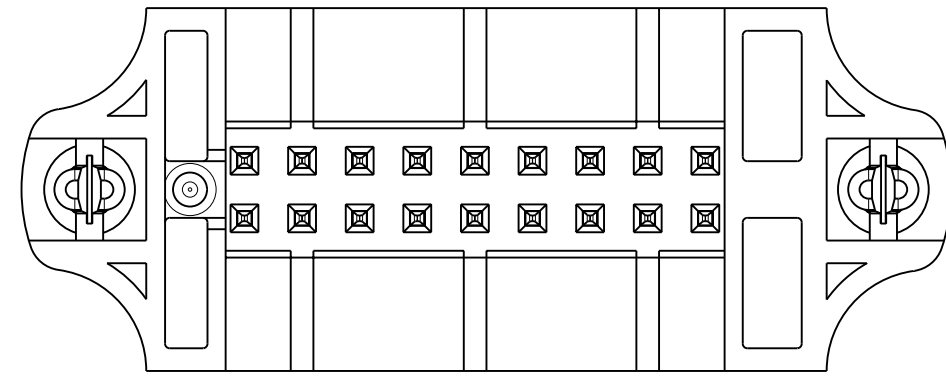
DIMENSIONS: mm		TOLERANCES UNLESS OTHERWISE SPECIFIED: (SUIV NB DE DECIMALES)	
0 PLC/DEC	±	1 PLC/DEC	±
1 PLC/DEC	±	2 PLC/DEC	±
2 PLC/DEC	±	3 PLC/DEC	±0.3
3 PLC/DEC	±	4 PLC/DEC	±
ANGLES		±5°	
FINISH FINITION		VOIR TABLEAU	

DWN/DESSINE A. DUPUIS 08DEC97		AMP DE FRANCE	
CHK/VERIFIE J. LAQUERBE 08DEC97		95301 PONTOISE	
APVD/APROUVE JJ REVII 08DEC97		NAME TITRE	
PRODUCT SPEC SPEC. PRODUIT		EMBASE 18V MQS DROITE AVEC BL	
APPLICATION SPEC SPEC. APPLICATION		18 W MQS STRAIGHT HEADER WITH BL	
WEIGHT MASSE APPROX. -		CAGE CODE DRAWING NO No PLAN	
CUSTOMER DRAWING /PLAN CLIENT		A2 00779 C-953264	
UNIQUEMENT POUR REFERENCE		SCALE ECHELLE 2:1	
SHEET FEUILLE 1		OF DE 2	
REV H		RESTRICTED TO RESERVE A	

THIS DRAWING IS UNPUBLISHED. RELEASED FOR PUBLICATION 20  
 © COPYRIGHT 20 BY TYCO ELECTRONICS CORPORATION. ALL RIGHTS RESERVED.

LOC	DIST	REVISIONS					
F	7	P	LTR	DESCRIPTION	DATE	DWN	APVD
		-		SEE SHEET 1			

OTHER DESIGN ACCEPTED AVAILABLE FOR ALL VERSIONS  
 (AUTRES DESIGN ACCEPTES VALABLES POUR TOUTES LES VERSIONS)



FOR ALL OTHER DIMENSIONS AND SHAPES SEE SHEET 1/2  
 (POUR LES AUTRES DIMENSIONS ET FORMES VOIR FEUILLE 1/2)

<small>THIS DRAWING IS A CONTROLLED DOCUMENT FOR TYCO ELECTRONICS CORPORATION          IT IS SUBJECT TO CHANGE AND THE CONTROLLING ENGINEERING ORGANIZATION          SHOULD BE CONTACTED FOR THE LATEST REVISION.</small>		DWN A. DUPUIS 20AUG09 CHK J. LALANGE 20AUG09 APVD J. REVILL 20AUG09	Tyco Electronics AMP DE FRANCE 95301 PONTOISE
DIMENSIONS: mm	TOLERANCES UNLESS OTHERWISE SPECIFIED: 0 PLC ±- 1 PLC ±- 2 PLC ±- 3 PLC ±0.3 4 PLC ±- ANGLES ±5 ° FINISH	PRODUCT SPEC APPLICATION SPEC	NAME EMBASE 18W MQS DROITE AVEC BL 18 W MQS STRAIGHT HEADER WITH BL (18W MQS STRAIGHT HEADER WITH BL)
	MATERIAL	WEIGHT -	SIZE A2 CAGE CODE 00779 DRAWING NO. C-953264 RESTRICTED TO -
		CUSTOMER DRAWING	SCALE 3:1 SHEET 2 OF 2 REV H

# Mouser Electronics

Authorized Distributor

Click to View Pricing, Inventory, Delivery & Lifecycle Information:

[TE Connectivity:](#)

[953264-1](#)