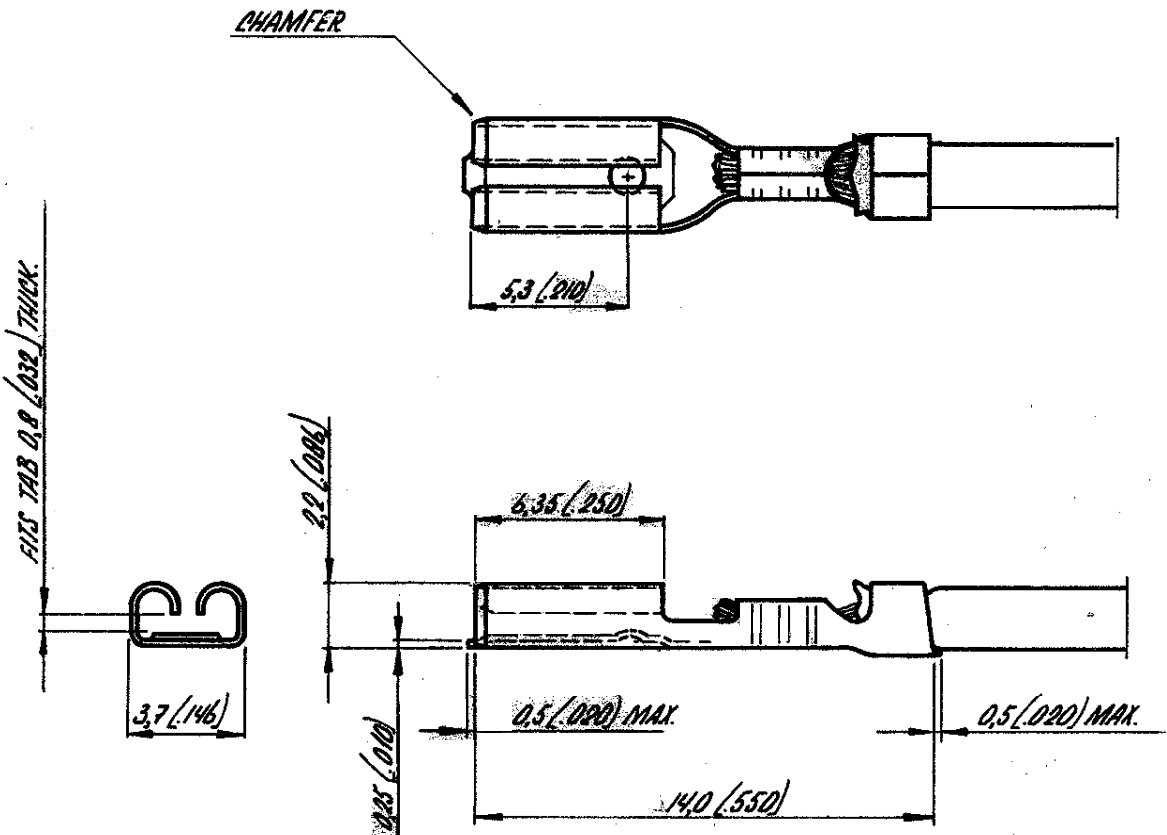


NUMBER C-160303

DRAWING MADE IN AMERICAN PROJECTION

P	LTR	DESCRIPTION	DATE	DWN	APVD
	G4	REVISED PER ECR-14-017789	28NOV2014	NK	DC



FITS TAB 0.8 (032) THICK.

DIMENSIONS IN M.M. DO NOT SCALE PRINT DIMENSIONS TRUSS IN INCHES

6-160303-5	3	PHOSPH. BRONZE	NONE	4
6-160303-4	3	BRASS	TIN	4
6-160303-3	3	PH. BRONZE	TIN-LEAD	4
6-160303-2	3	PHOSPH. BRONZE	TIN-LEAD	4
6-160303-1	3	BRASS	TIN-LEAD	4
6-160303-0	3	PHOSPH. BRONZE	PRE-TIN	4
5-160303-9	3	BRASS	PRE-TIN	4
5-160303-8-1	3	BRASS	TIN	4
5-160303-7-1	3	BRASS	NONE	4
5-160303-6	3	PHOSPH. BRONZE	TIN	5
5-160303-5	3	PHOSPH. BRONZE	NONE	4
5-160303-4	3	BRASS	GOLD	4
5-160303-3	3	BRASS	SILVER	4
5-160303-2	3	BRASS	TIN	4
5-160303-1	3	BRASS	NONE	4

- NOTE:
- 1 SPLICE FREE, FOR AMP. D. MOTOR.
 - 2 BRIGHT PRE-TINPLATED.
 - 3 REELED WITH PAPER LAYER.
 - 4 OBSOLETE PARTS: OBSOLETE CIS STREAMLINING PER D.RENAUD/D.SINISI
 - 5 OBSOLETE

CUSTOMER COPY FOR REFERENCE ONLY



WIRE RANGE 0.3 - 0.56 mm (22 - 20 AWG)	INSUL. RANGE 1.3 - 2.0 mm DIA. (0.050 - 0.080)	FIRST USED
SCALE 4:1	SIZE A	NO C-160303
NAME .110 SERIES FASTON RECEPTACLE		REV G4

ORDER NO.	MATERIAL	PLATING
DR 6.3.1978	DATE	DE
DATE	DATE	DATE
CHK	DATE	APP
		7.3.78

Mouser Electronics

Authorized Distributor

Click to View Pricing, Inventory, Delivery & Lifecycle Information:

[TE Connectivity:](#)

[5-160303-6](#)