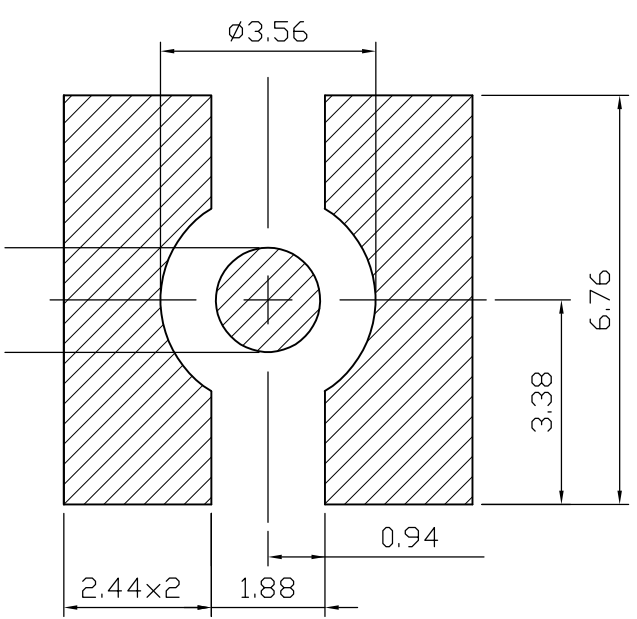
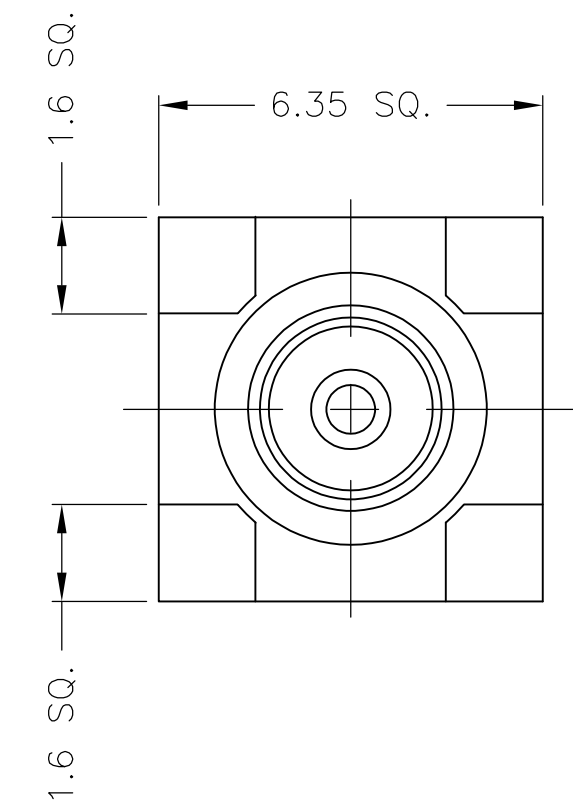
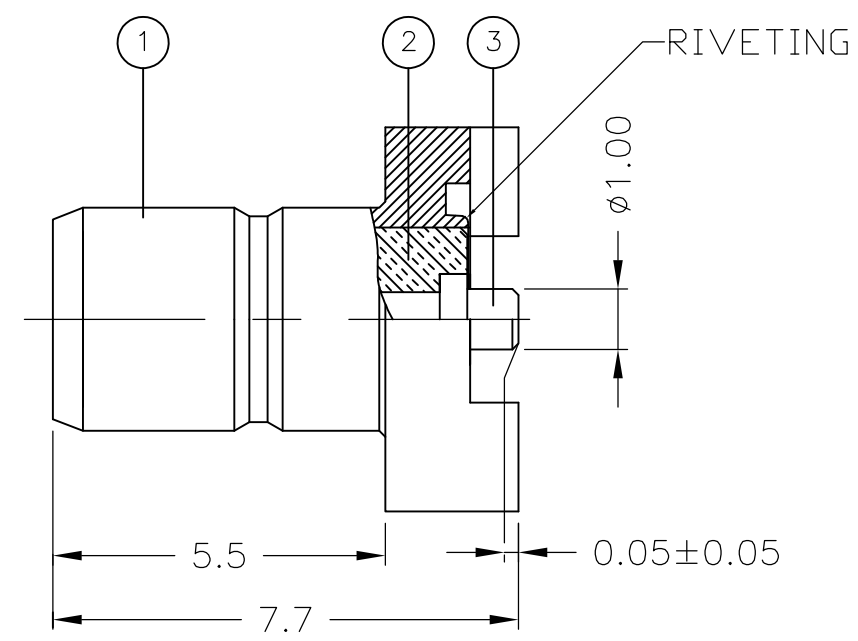


THIS DRAWING IS UNPUBLISHED. RELEASED FOR PUBLICATION FEB ,2006.
 © COPYRIGHT 2006 By - ALL RIGHTS RESERVED.

REVISIONS					
P	LTR	DESCRIPTION	DATE	DWN	APVD
	D	REVISE PER ECO-16-001732	07JUN16	LN	RS

- NOTES:**
- ① SINGLE PACKING: ONE CONNECTOR PER LABELED BAG PACKAGED. LABELED PER TEC-107-115
 - ② TRAY PACKAGED
 - ③ Au PLATING

- 4 ELECTRICAL CHARACTERISTICS**
- FREQUENCY RANGE: DC - 4 GHz
 - NOMINAL IMPEDANCE: 50 Ohm
 - INSULATION RESISTANCE: 1000 MOhm
 - WORKING VOLTAGE: 250 Volts RMS at Sea Level
 - DIELECTRIC WITHSTAND VOLTAGE: 750 Volts RMS Max
 - CONTACT RESISTANCE:
 - CENTRE CONTACT: 6.00 mOhm Max
 - OUTER CONTACT: 1.00 mOhm Max
- 5 MECHANICAL CHARACTERISTICS**
- DURABILITY: 500 Cycles Min
- 6 ENVIRONMENTAL CHARACTERISTICS**
- OPERATING TEMPERATURE: -65°C to +165°C



RECOMMENDED PCB LAYOUT

QTY	PLC	DESCRIPTION	ITEM
1	1	BRASS	CONTACT 3
1	1	PTFE	INSULATION 2
1	1	BRASS	BODY 1
6--0	1--0	MATERIAL	DESCRIPTION
			ITEM

THIS DRAWING IS A CONTROLLED DOCUMENT.		DWN	J.SANDWELL	13FEB06
DIMENSIONS: mm		CHK	S.PARLOW	13FEB06
TOLERANCES UNLESS OTHERWISE SPECIFIED:		APVD	F.WHEELER-KING	13FEB06
0 PLC ± -		NAME		
1 PLC ± 0.2		SMB SURFACE MOUNT STRAIGHT		
2 PLC ± 0.1		PCB SOCKET 50 OHM		
3 PLC ± -		-		
4 PLC ± -		PRODUCT SPEC	-	
ANGLES ± -		APPLICATION SPEC	-	
FINISH -		WEIGHT	0	RESTRICTED TO
MATERIAL SEE TABLE		SIZE	A3	CAGE CODE
		DRAWING NO	C-1337604	REV
		SCALE	NTS	SHEET
			1 OF 1	D