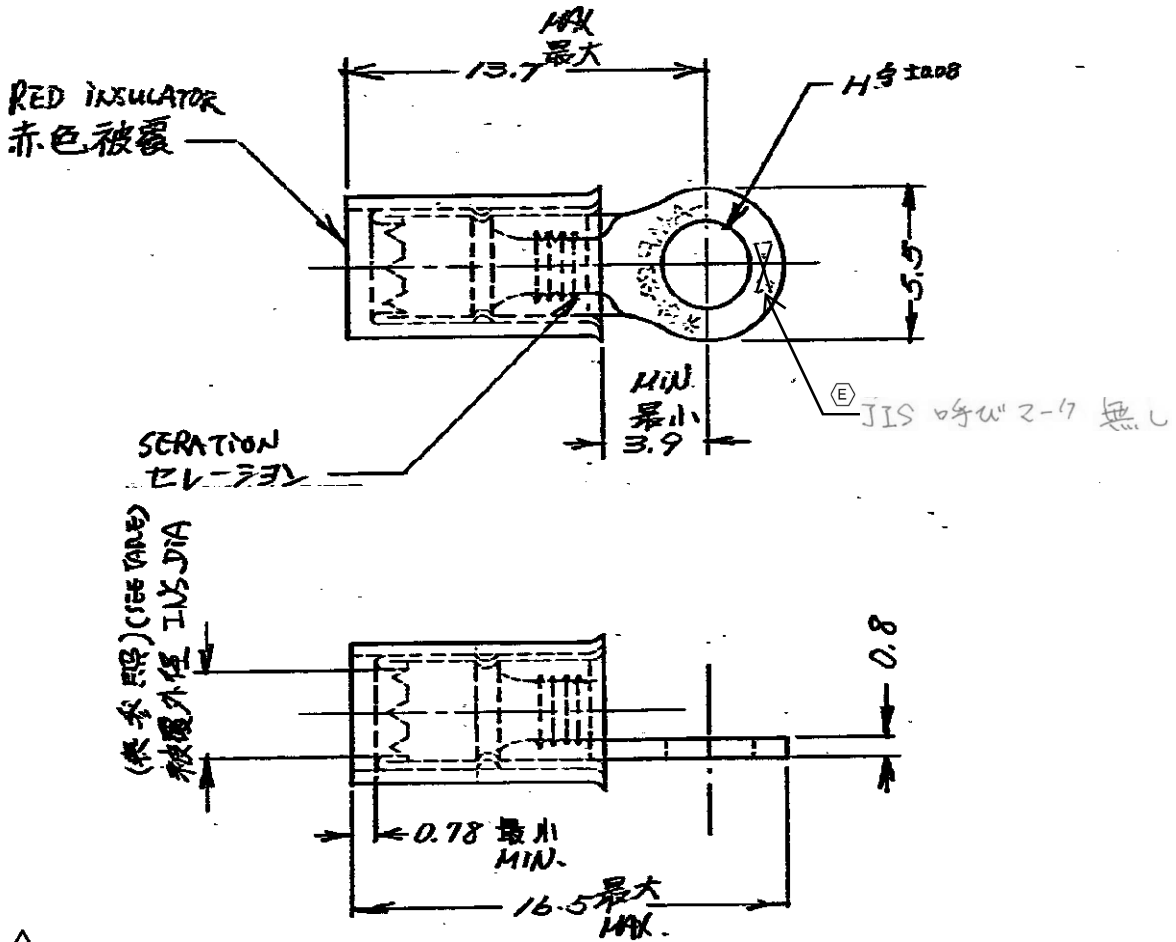


AMP (INSULATOR)
C-171505



△ OBSOLETE PARTS: OBSOLETE CIS STREAMLINING PER D.RENAUD/D.SINISI

(P/N) 型番	(STUD) 径	(H DIA) H寸法	(INS. DIA) 被覆外径	
171505-1	#4	3.02	2.03~3.18	
-2	#6	3.68	2.03~3.18	
-3	#4	3.02	2.67~3.56	
-4	#6	3.68	2.67~3.56	
(E) -5	#1	2.03	2.03~3.18	OBSOLETE
(E) -6	"	3.25	2.03~3.18	OBSOLETE
171505-7	#2	2.36	2.03~3.18	OBSOLETE △

単位: 1E DIMENSIONS IN MM. DO NOT SCALE PRINT

E	Change Applicable Body	Y.O	N.Y	23JAN17
D2	REV PER ECO-10-000444	KK	AEG	08JAN10
D1	OBSOLETE (REV-0514)	K.N	Y.T	1-8
D	REVISED (REV-B)	K.Y	Y.S	4/15/10
C	REVISED (REV-B)	S.O	Y.H	1/2/11
B	ADDED MARK	H.S	M.H	9/1/15
A	REVISED (REV-A)	H.S	M.H	7/1/15

参考図面 (CUSTOMER COPY) REFERENCE ONLY

STE TE Connectivity

材料: 電鍍銅 (PLATED COPPER)

規格: JIS 4号W 2-7 無し

WIRE RANGE: 0.26~1.04 (AWG22-18)

INSULATION DIA: 2.03~3.18

公差 (TOLERANCE): ±0.4 (EXCEPT AS NOTED) ±0.2

尺規 (SCALE): 4-1

LOC: J

SIZE: A

REV. NO: C-171505

REV. E

名称 (NAME): 丸型端子 RING TERMINAL

PART DIST

Mouser Electronics

Authorized Distributor

Click to View Pricing, Inventory, Delivery & Lifecycle Information:

[TE Connectivity:](#)

[171505-2](#)