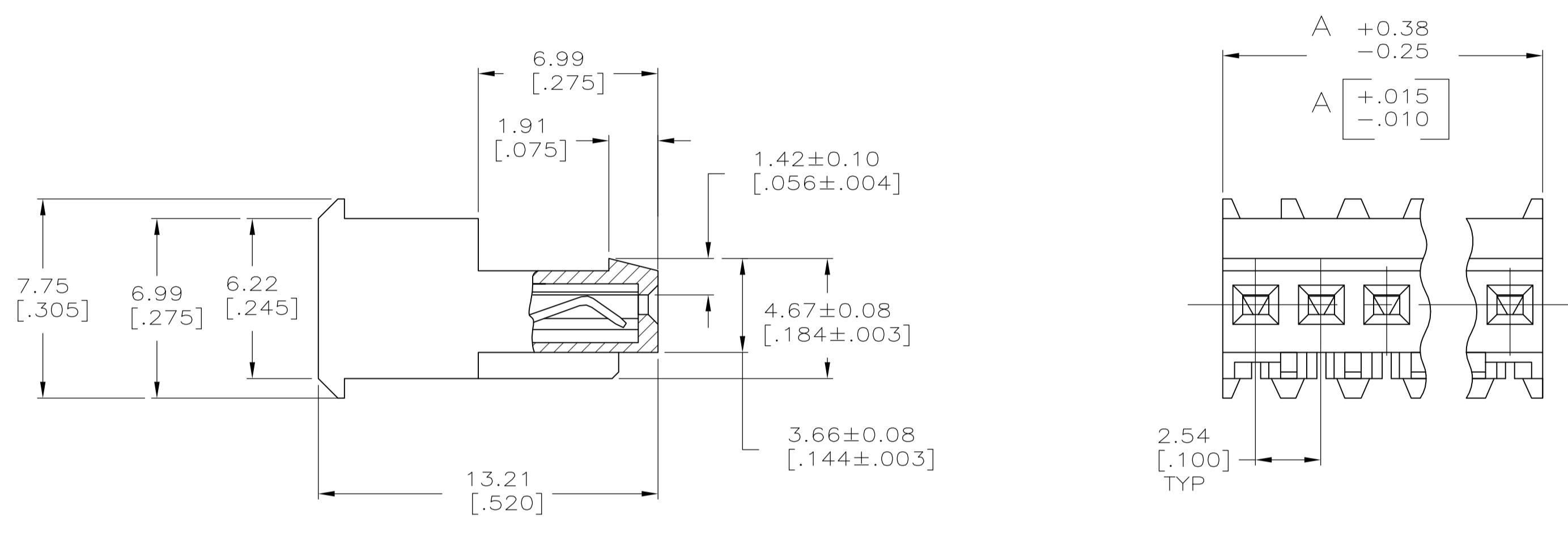
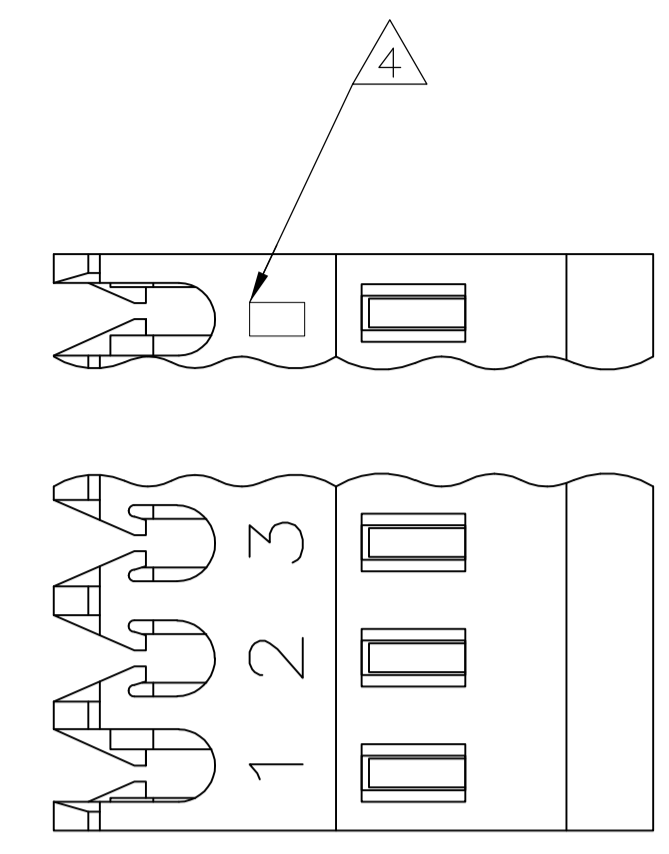


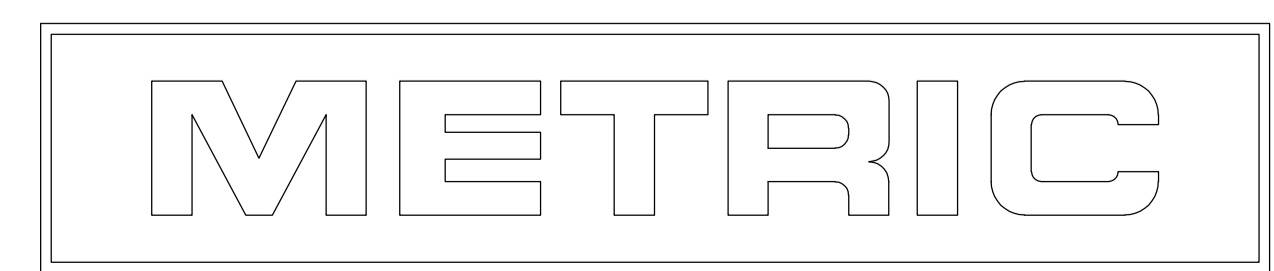
LOC		DIST		REVISIONS			
P	LTR	DESCRIPTION	DATE	DMN	APVD		
N		REVISED PER ECO-11-013373	15JUL11	HMR	SM		
P		ECR-13-008537	16SEP13	M.T	D.Z		



- Ⓟ ⚠ MATERIAL: CONNECTOR-NYLON UL94V-2 (WHITE). CONTACTS-0.30 [.012] THICK COPPER ALLOY 0.00038 [.000015] GOLD OR 0.00038 [.000015] TOTAL GOLD FLASH OVER PALLADIUM NICKEL, PER TE CONNECTIVITY'S DISCRETION, IN CONTACT AREA WITH MATTE TIN FOR 641191-2 THRU 2-641191-8, MATTE WHISKER MITIGATED TIN FOR 3-641191-2 THRU 5-641191-8 OVER NICKEL UNDERPLATE.
- CONTACTS ACCEPT 24 AWG WIRE WITH 1.52 [.060] MAX INSULATION DIAMETER.
 - CONTACTS MUST ACCEPT 0.64±0.03 [.025±.001] SQUARE POST AND REMAIN LOCKED IN POSITION.
- ⚠ IDENTIFICATION NUMBER FOR LAST CIRCUIT MAY NOT APPEAR ON ALL ASSEMBLIES.
- DIMENSIONS IN BRACKETS ARE IN INCHES.
 - HOUSING FEATURES ARE: FEED THRU WITH LOCKING RAMP.
- ⚠ OBSOLETE PARTS: OBSOLETE CIS STREAMLINING PER D.RENAUD/D.SINISI

71.12 [2.800]	28	5-641199-8
68.58 [2.700]	27	5-641199-7
66.04 [2.600]	26	5-641199-6
63.50 [2.500]	25	5-641199-5
60.96 [2.400]	24	5-641199-4
58.42 [2.300]	23	5-641199-3
55.88 [2.200]	22	5-641199-2
53.34 [2.100]	21	5-641199-1
50.80 [2.000]	20	5-641199-0
48.26 [1.900]	19	4-641199-9
45.72 [1.800]	18	4-641199-8
43.18 [1.700]	17	4-641199-7
40.64 [1.600]	16	4-641199-6
38.10 [1.500]	15	4-641199-5
35.56 [1.400]	14	4-641199-4
33.02 [1.300]	13	4-641199-3
30.48 [1.200]	12	4-641199-2
27.94 [1.100]	11	4-641199-1
25.40 [1.000]	10	4-641199-0
22.86 [.900]	9	3-641199-9
20.32 [.800]	8	3-641199-8
17.78 [.700]	7	3-641199-7
15.24 [.600]	6	3-641199-6
12.70 [.500]	5	3-641199-5
10.16 [.400]	4	3-641199-4
7.62 [.300]	3	3-641199-3
5.08 [.200]	2	3-641199-2
DIM A	NO.OF POSN	ASSEMBLY

71.12 [2.800]	28	2-641199-8
68.58 [2.700]	27	2-641199-7
66.04 [2.600]	26	2-641199-6
63.50 [2.500]	25	2-641199-5
60.96 [2.400]	24	2-641199-4
58.42 [2.300]	23	2-641199-3
55.88 [2.200]	22	2-641199-2
53.34 [2.100]	21	2-641199-1
50.80 [2.000]	20	2-641199-0
48.26 [1.900]	19	1-641199-9
45.72 [1.800]	18	1-641199-8
43.18 [1.700]	17	1-641199-7
40.64 [1.600]	16	1-641199-6
38.10 [1.500]	15	1-641199-5
35.56 [1.400]	14	1-641199-4
33.02 [1.300]	13	1-641199-3
30.48 [1.200]	12	1-641199-2
27.94 [1.100]	11	1-641199-1
25.40 [1.000]	10	1-641199-0
22.86 [.900]	9	641199-9
20.32 [.800]	8	641199-8
17.78 [.700]	7	641199-7
15.24 [.600]	6	641199-6
12.70 [.500]	5	641199-5
10.16 [.400]	4	641199-4
7.62 [.300]	3	641199-3
5.08 [.200]	2	641199-2
DIM A	NO.OF POSN	ASSEMBLY



THIS DRAWING IS A CONTROLLED DOCUMENT.

DIMENSIONS: mm [INCHES]

TOLERANCES UNLESS OTHERWISE SPECIFIED:

0. PLC	±
1. PLC	±
2. PLC	±
3. PLC	± 0.13 [.005]
4. PLC	±
ANGLES	±

MATERIAL: ⚠ FINISH: ⚠

DIN S. HOOVER 20-DEC-2004
 CHK: D. ROSSI 20-DEC-2004
 APVD: D. ROSSI 20-DEC-2004

PRODUCT SPEC: 114-1019
 APPLICATION SPEC: 108-1050

STE TE Connectivity
 MTA .100 CONNECTOR ASSEMBLY, 24 AWG, STANDARD

SIZE: A1 CASE CODE: 00779 DRAWING NO: 641199
 WEIGHT: 108-1050

CUSTOMER DRAWING SCALE: 6:1 SHEET 1 OF 1 REV P