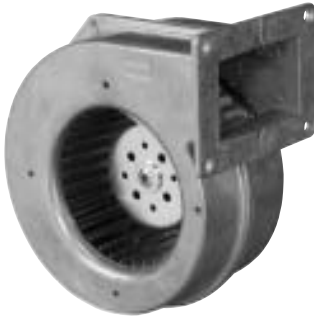


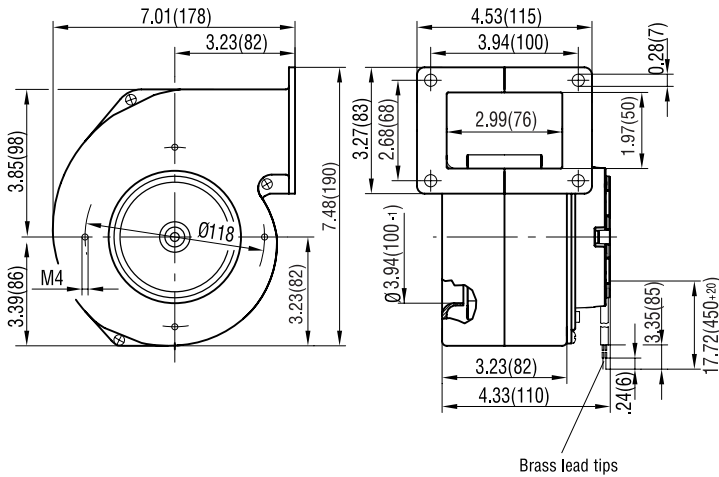
# G3G120 Series Centrifugal Blower

Ø 120mm, EC-i



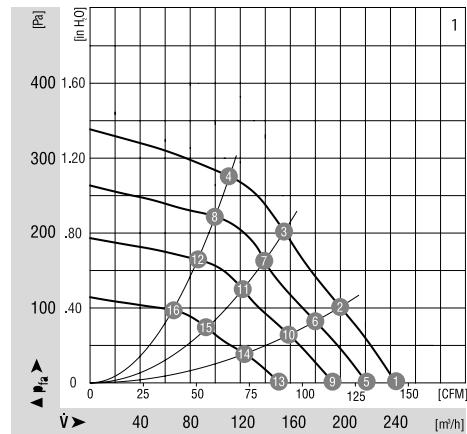
- AC input, single inlet, forward-curved centrifugal blower with integrated electronics.
- Cable exit: variable
- Housing of die-cast aluminium; impeller of galvanised sheet-steel.
- Variable mounting position.
- Direction of rotation is CW as seen from intake side.
- Maintenance-free ball bearings.
- Technical features: integrated electronics, PWM/Lin input, speed output.
- UL and CSA approvals on request.

Part Number	Curve	CFM @ 0	VAC	Hertz	Power (W)	dBA	Max Amb. Temp. C	Bearing Type	Features	Wgt. (lbs)
G3G120-BB03-02	1	144.2	230	50/60	44	62	60	Ball	Leads	3.97



	n [RPM]	P <sub>i</sub> [W]	η <sub>IL</sub> [%]	Lp <sub>A</sub> [dBA]		n [RPM]	P <sub>i</sub> [W]	η <sub>IL</sub> [%]	Lp <sub>A</sub> [dBA]
1	① 2260	44	--	62	1	⑨ 1830	24	--	54
1	② 2410	38	51	59	1	⑩ 1920	20	50	52
1	③ 2550	31	55	57	1	⑪ 2010	17	54	51
1	④ 2750	24	49	57	1	⑫ 2120	13	52	51
1	⑤ 2060	34	--	59	1	⑬ 1430	13	--	48
1	⑥ 2190	29	50	57	1	⑭ 1500	12	50	45
1	⑦ 2300	24	54	55	1	⑮ 1580	10	54	44
1	⑧ 2450	18	52	54	1	⑯ 1640	8	52	44

Curve



# Mouser Electronics

Authorized Distributor

Click to View Pricing, Inventory, Delivery & Lifecycle Information:

[ebm-papst:](#)

[G3G120-BB03-02](#)