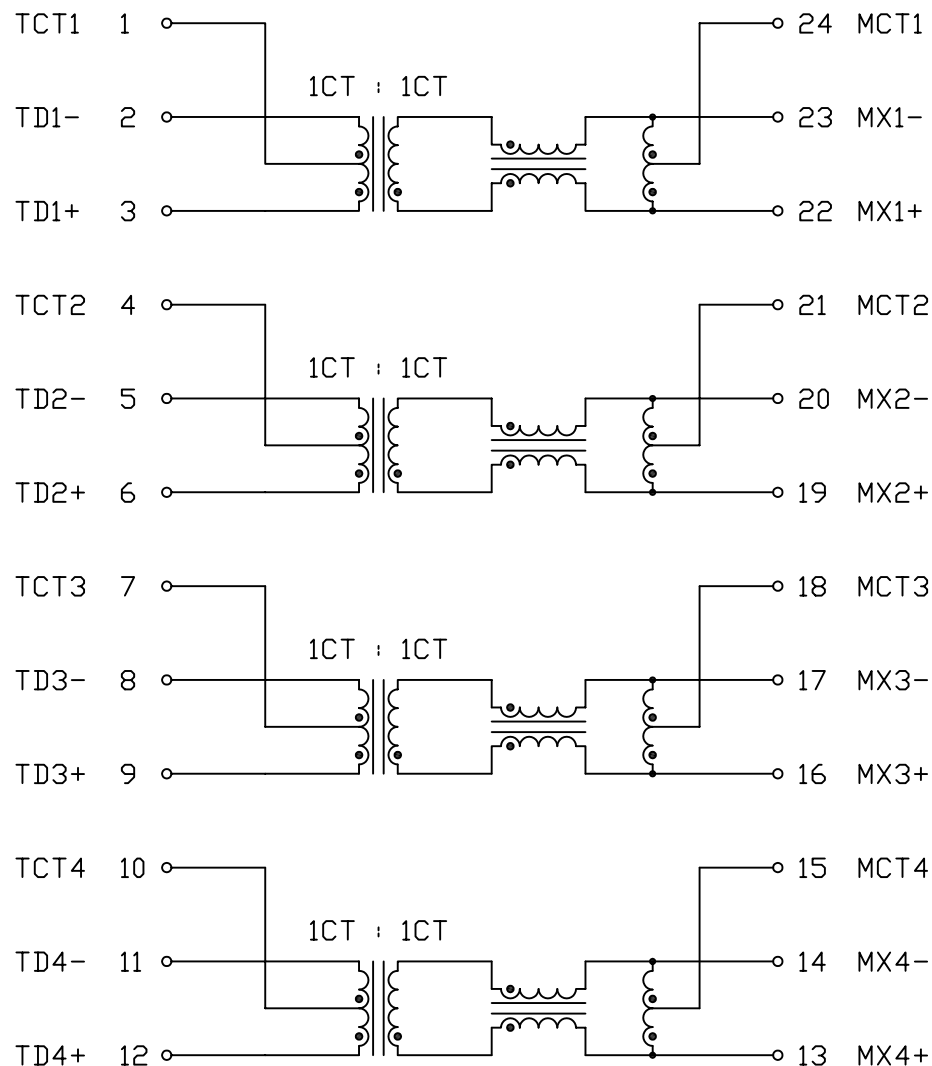


THE INFORMATION CONTAINED HEREIN IS CONSIDERED "PROPRIETARY" TO BEL FUSE INC. AND SHALL NOT BE COPIED, REPRODUCED OR DISCLOSED WITHOUT THE WRITTEN APPROVAL OF BEL FUSE INC.



SCHEMATIC



ELECTRICAL CHARACTERISTICS @25°C

URNS RATIO

(3-1-2) : (22-24-23)	1CT : 1CT
(6-4-5) : (19-21-20)	1CT : 1CT
(9-7-8) : (16-18-17)	1CT : 1CT
(12-10-11) : (13-15-14)	1CT : 1CT

POLARITY

PER DOT CONVENTION

□CL

(23-22), (20-19)	350μH MIN @100kHz, 100mV
(17-16), (14-13)	WITH 8mA DC BIAS
OPERATING TEMPERATURE	-40°C TO +85°C

INSERTION LOSS

1.1dB MAX @0.1 TO 1MHz
1.0dB MAX @1 TO 100MHz

COMMON TO COMMON MODE REJECTION

22.0dB MIN @30MHz
23.0dB MIN @50MHz
20.5dB MIN @80MHz
20.0dB MIN @100MHz

RETURN LOSS

UNDER 100 OHM ±15% ENVIRONMENT
18dB MIN @0.5 TO 40MHz
12-20LOG (f/80MHz) MIN @40 TO 100MHz

CROSSTALK

33-20LOG (f/100MHz) dB MIN @1-100MHz

HIPOT

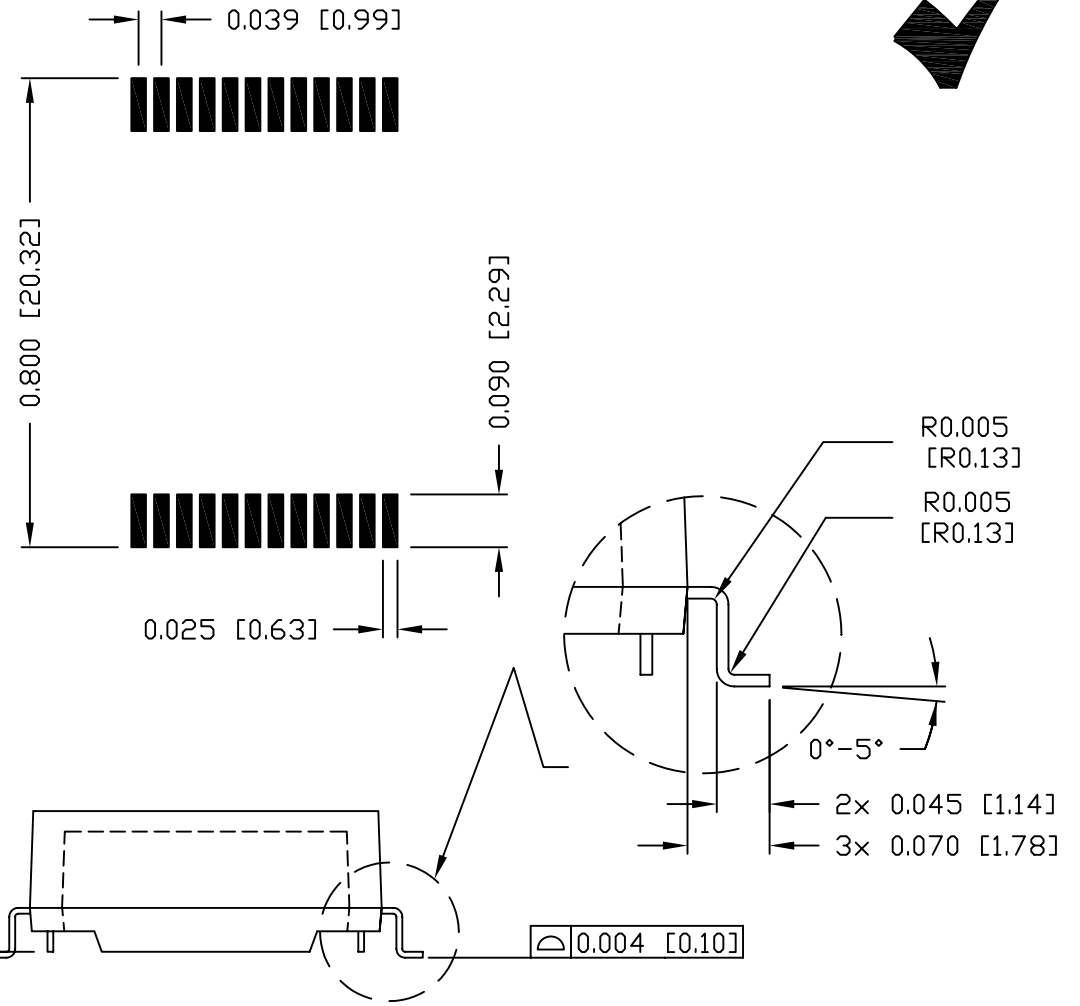
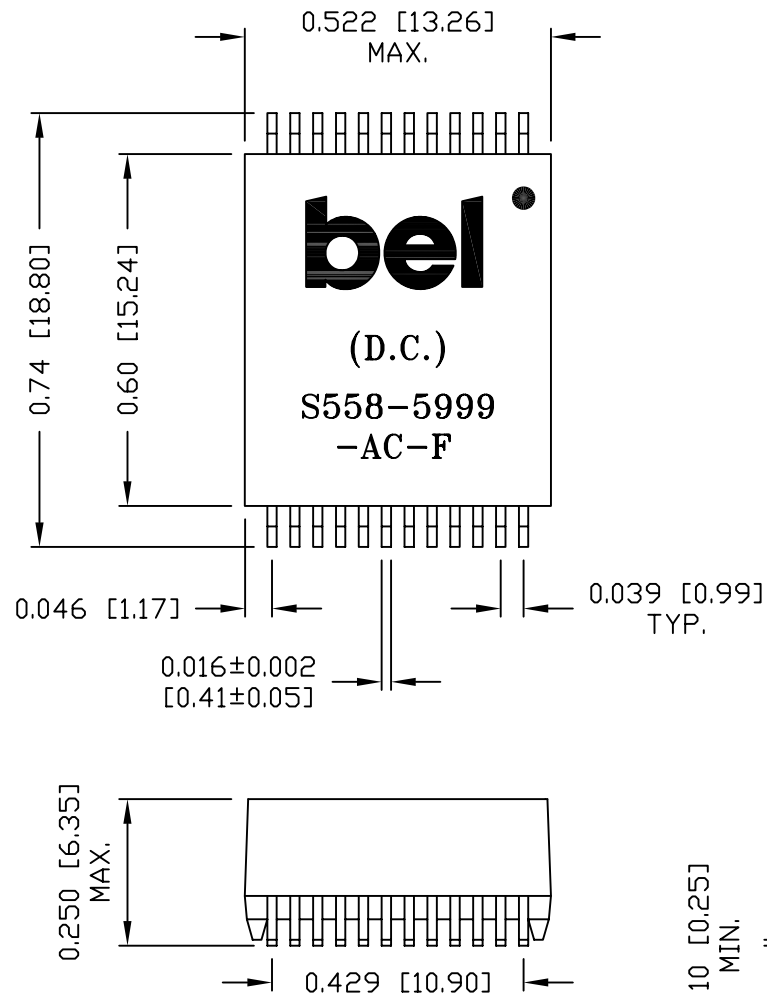
PER HAND-WORK-03

ORIGINATED BY Alice Pang	DATE 2015-01-26	TITLE ELECTRICAL SPECIFICATION S558-5999-AC-F	PART NO. / DRAWING NO. X5585999AC-F	STANDARD DIM. TOL. IN INCH	[] METRIC DIM. AS REF.	REV. : C PAGE : 2
DRAWN BY ZC Guo	DATE 2015-01-26		FILE NAME X5585999ACFC.DWG	.X .XX .XXX	UNIT : INCH [mm] SCALE : N/A SIZE : A4	



THE INFORMATION CONTAINED HEREIN IS CONSIDERED 'PROPRIETARY' TO BEL FUSE INC. AND SHALL NOT BE COPIED, REPRODUCED OR DISCLOSED WITHOUT THE WRITTEN APPROVAL OF BEL FUSE INC.

SUGGESTED PCB PAD LAYOUT



NOTES:

- STANDARD MARKING REFER TO DDC. HAND-WORK-04.
- PACKAGE CODE: "QTS001".

ORIGINATED BY		DATE	TITLE MECHANICAL DRAWING S558-5999-AC-F	PART NO. / DRAWING NO.		STANDARD DIM.		[] METRIC DIM. AS REF.		REV. : C	PAGE : 3
Lawrence Tsang		2015-01-26		X5585999AC-F		TOL. IN INCH		UNIT : INCH [mm]			
DRAWN BY		DATE		FILE NAME		.X		SCALE : N/A			
ZC Guo		2015-01-26	X5585999ACFC.DWG		.XX ±0.01		SIZE : A4				
					.XXX ±0.005						

Mouser Electronics

Authorized Distributor

Click to View Pricing, Inventory, Delivery & Lifecycle Information:

Bel:

[S558-5999-AC-F](#)