

PRODUCT NUMBER  
20020327-XXXXXXLF

20020327-□ □ □ □ □ 0 □ L F

PITCH  
C: 3.50 mm  
D: 3.81 mm

POLES  
02: 2 POLES  
03: 3 POLES  
04: 4 POLES  
24: 24 POLES

LF : DENOTED RoHS COMPATIBLE  
1 : STANDARD PRODUCT  
W/ BOX PACKING

SCREW CODE

CODE	SCREW TYPE	AVAILABILITY
A	-/+	ON REQUEST ONLY
B	-	STANDARD

PROPERTY TABLE			
FCI SERIES NAME		26-350	26-381
PITCH (mm)		3.50	3.81
VOLTAGE RATING (VAC)		300	300
CURRENT RATING (A)		10	10
APPLICABLE WIRE RANGE (AWG)	1-WIRE	16~24	16~24
	2-WIRE	20	20
WIRE CROSS SECTION (mm <sup>2</sup> )	SOLID	1-WIRE	1.5
		2-WIRE	0.5
	STRANDED	1-WIRE	1.0
		2-WIRE	0.2
OPENING CONTACT HOUSING(mm <sup>2</sup> )		1.6x1.6	1.6x1.6
WIRE STRIP LENGTH(mm)		5~6	5~6
TORQUE +/-10% (N-m/Lb-in)		0.19/1.7	0.19/1.7
SCREW		M2x0.4	M2x0.4
WITHSTANDING VOLTAGE (kV)		1.6	1.6
OPERATING TEMP. (°C)		-40~+115	-40~+115
SOLDERING TEMP. (°C)		250±10 (5 sec.)	250±10 (5 sec.)
POLES AVAILABLE		02~24	02~24
SAFETY CERTIFICATE			

HOUSING CODE

CODE	COLOR	AVAILABILITY
1	GREEN(RAL 6018/T)	STANDARD
2	BLACK	ON REQUEST ONLY
3	GREY(RAL 7004/P)	ON REQUEST ONLY
4	BLUE(RAL 5015/A)	ON REQUEST ONLY

NOTES:

- MATERIALS**  
 1-1 HOUSING: THERMALPLASTIC RESIN, UL 94V-0 RATED.  
 1-2 SCREW: STEEL, ZINC PLATED.  
 1-3 CLAMP: COPPER ALLOY, NICKEL PLATED.  
 1-4 TERMINAL: COPPER ALLOY, TIN PLATED.  
 2. PRODUCTION SPECIFICATION REFER TO FCI GS-12-625.  
 3. BOXED PACKAGING.  
 DETAILED PRODUCT PACKING SPECIFICATION REFER TO FCI GS-14-1394.  
 4. FCI, SAFETY CERTIFICATE LOGO AND SERIES NAME TO BE SHOWN ON PRODUCT SURFACE.  
 5. THE PRODUCTS WHERE THE PART NUMBER END IN "LF" MEET THE EUROPEAN UNION DIRECTIVE AND OTHER COUNTRY REGULATIONS AS DESCRIBED IN GS-22-008.  
 6. RECOMENDED SOLDERING PROCESS BY WAVE SOLDER.

mat'l. code				surface ASME Y14.5 ✓ / tolerance ASME Y14.5		projection		product family	
tolerances unless otherwise specified				X.±0.5				TERMINAL BLOCK	
angles				X.X±0.3		MM		title	
X°±1'				X.XX±0.1		[INCH]		TERMINAL BLOCK	
scale				scale		scale		FIXED HORIZONTAL WIRE INLET	
ltr				dr		date		dwg no	
A DC09-0203				BF		062509		sheet 1 of 3 size	
B T09-1148				BF		111709		20020327	
C T09-1152				BF		112609		A4	
D T10-0042				WL		030310		type	
E T10-0109				WL		070710		CUSTOMER Drawing	
F T10-0159				WL		100410			
G T10-0187				WL		121410			
sheet				revision		G G			
index				sheet		1 2 3			

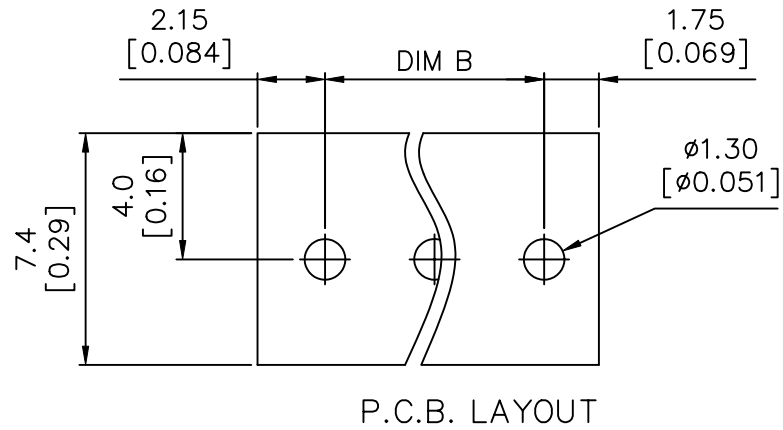
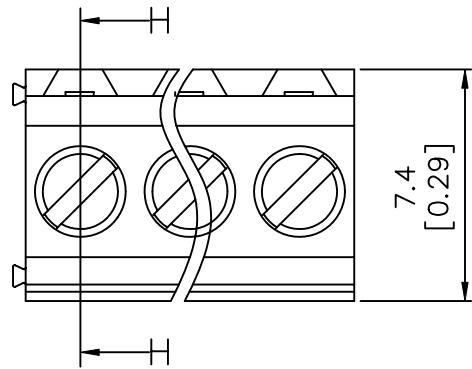


1 | 2

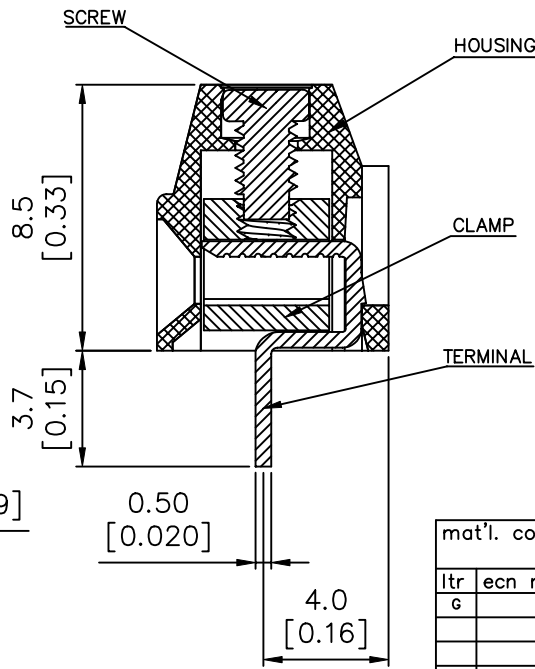
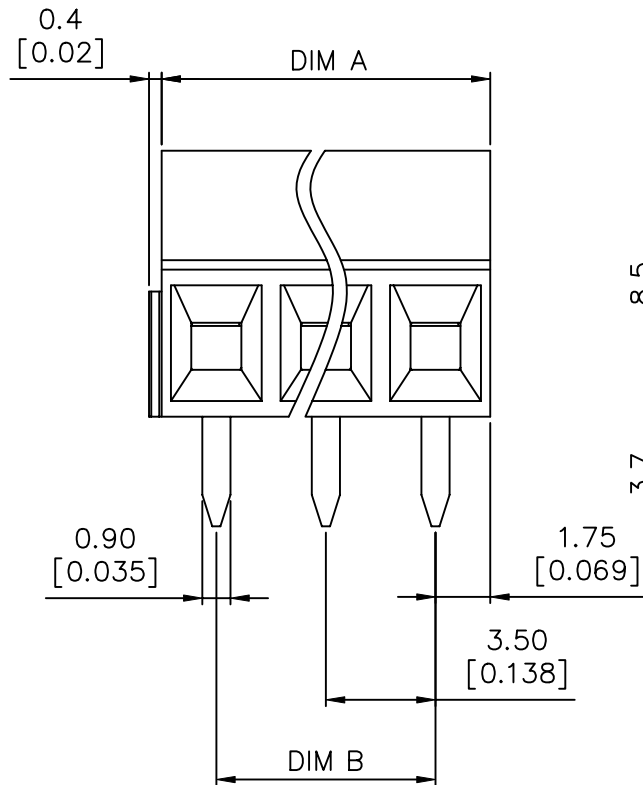
3 |

4

PRODUCT NUMBER	SERIES NAME	PITCH
20020327-CXXXXXL	26-350	3.50 mm



P.C.B. LAYOUT



SECTION H-H

N = Number of poles  
 Dim A =  $N \times 3.5 [0.138]$   
 Dim B =  $(N-1) \times 3.5 [0.138]$

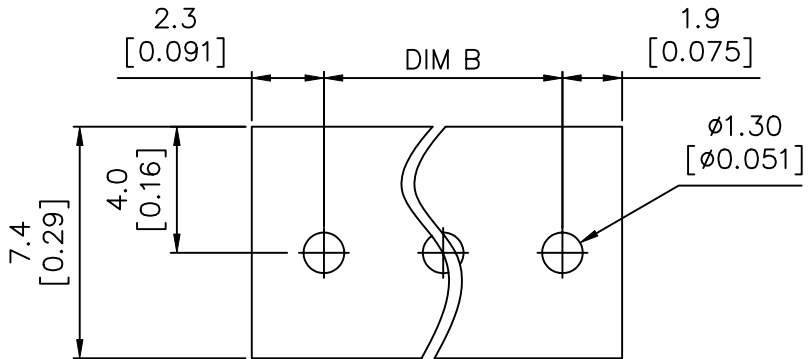
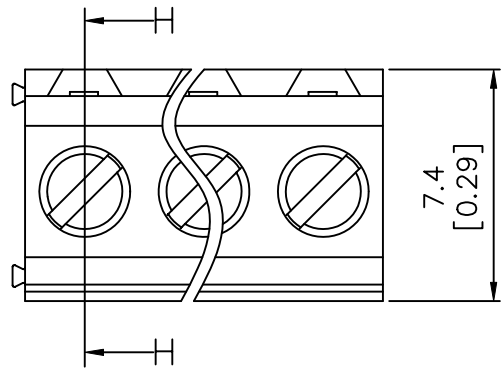
TOL.	Dim A	Dim B
2-6p	$\pm 0.15 [0.006]$	
7-12p	$\pm 0.20 [0.008]$	
13-16p	$\pm 0.25 [0.010]$	
17-24p	$\pm 0.30 [0.012]$	

mat'l. code		surface ASME Y14.5	tolerance ASME Y14.5	projection 	product family TERMINAL BLOCK
ltr	ecn no	dr	date	title TERMINAL BLOCK FIXED HORIZONTAL WIRE INLET	
g				scale MM [INCH]	dwg no 20020327
		dr	BEER FU 062509	sheet 2 of 3	size A4
		enr	BEER FU 062509	type CUSTOMER Drawing	
		chr	GARY HSIEH 062509		
		appd	JOSEPH HSIA 062509		
sheet index	revision sheet				

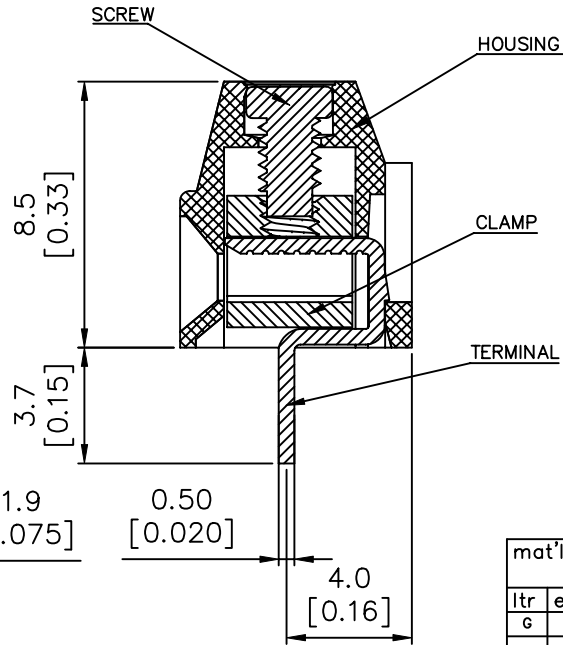
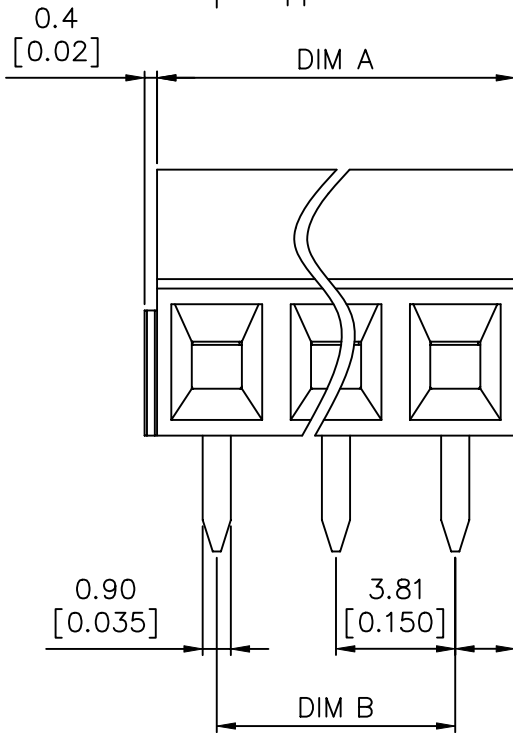




PRODUCT NUMBER	SERIES NAME	PITCH
20020327-DXXXXXL	26-381	3.81 mm



P.C.B. LAYOUT



N = Number of poles  
 Dim A =  $N \times 3.81 [0.150]$   
 Dim B =  $(N - 1) \times 3.81 [0.150]$

TOL.	Dim A	Dim B
2-6p	$\pm 0.15 [0.006]$	
7-12p	$\pm 0.20 [0.008]$	
13-16p	$\pm 0.25 [0.010]$	
17-24p	$\pm 0.30 [0.012]$	

mat'l. code		surface ASME Y14.5	tolerance ASME Y14.5	projection 	product family TERMINAL BLOCK
ltr	ecn no	dr	date	title	
tolerances unless otherwise specified				 MM [INCH]	TERMINAL BLOCK FIXED HORIZONTAL WIRE INLET
angles		$X \pm 0.5$ $X.X \pm 0.3$ $X.XX \pm 0.1$			
line		$X \pm 1^{\circ}$			
dr		BEER FU	062509	dwg no	
enr		BEER FU	062509	sheet 3 of 3 size	
chr		GARY HSIEH	062509	20020327	
appd		JOSEPH HSIA	062509	A4	
sheet index		revision sheet		type CUSTOMER Drawing	

# Mouser Electronics

Authorized Distributor

Click to View Pricing, Inventory, Delivery & Lifecycle Information:

## Amphenol:

<a href="#"><u>20020327-D021B01LF</u></a>	<a href="#"><u>20020327-D041B01LF</u></a>	<a href="#"><u>20020327-C081A01LF</u></a>	<a href="#"><u>20020327-D081B01LF</u></a>	<a href="#"><u>20020327-C061B01LF</u></a>
<a href="#"><u>20020327-D061B01LF</u></a>	<a href="#"><u>20020327-C021B01LF</u></a>	<a href="#"><u>20020327-D031B01LF</u></a>	<a href="#"><u>20020327-D071B01LF</u></a>	<a href="#"><u>20020327-C031B01LF</u></a>
<a href="#"><u>20020327-D101B01LF</u></a>	<a href="#"><u>20020327-C101B01LF</u></a>	<a href="#"><u>20020327-C051B01LF</u></a>	<a href="#"><u>20020327-C041B01LF</u></a>	<a href="#"><u>20020327-D051B01LF</u></a>
<a href="#"><u>20020327-C112B01LF</u></a>	<a href="#"><u>20020327-C162B01LF</u></a>			

## FCI / Amphenol:

<a href="#"><u>20020327-D231B01LF</u></a>	<a href="#"><u>20020327-C161B01LF</u></a>	<a href="#"><u>20020327-D131B01LF</u></a>	<a href="#"><u>20020327-D161B01LF</u></a>	<a href="#"><u>20020327-C191B01LF</u></a>
<a href="#"><u>20020327-C091B01LF</u></a>	<a href="#"><u>20020327-C121B01LF</u></a>	<a href="#"><u>20020327-D151B01LF</u></a>	<a href="#"><u>20020327-D121B01LF</u></a>	<a href="#"><u>20020327-D091B01LF</u></a>
<a href="#"><u>20020327-C081B01LF</u></a>	<a href="#"><u>20020327-C111B01LF</u></a>	<a href="#"><u>20020327-D241B01LF</u></a>	<a href="#"><u>20020327-C141B01LF</u></a>	<a href="#"><u>20020327-D111B01LF</u></a>
<a href="#"><u>20020327-C181B01LF</u></a>	<a href="#"><u>20020327-C231B01LF</u></a>	<a href="#"><u>20020327-C241B01LF</u></a>	<a href="#"><u>20020327-C171B01LF</u></a>	<a href="#"><u>20020327-C151B01LF</u></a>
<a href="#"><u>20020327-C221B01LF</u></a>	<a href="#"><u>20020327-D181B01LF</u></a>	<a href="#"><u>20020327-D211B01LF</u></a>	<a href="#"><u>20020327-D141B01LF</u></a>	<a href="#"><u>20020327-C201B01LF</u></a>
<a href="#"><u>20020327-D191B01LF</u></a>	<a href="#"><u>20020327-D221B01LF</u></a>	<a href="#"><u>20020327-C211B01LF</u></a>	<a href="#"><u>20020327-C071B01LF</u></a>	<a href="#"><u>20020327-D171B01LF</u></a>
<a href="#"><u>20020327-D201B01LF</u></a>	<a href="#"><u>20020327-C131B01LF</u></a>	<a href="#"><u>20020327C081A01L</u></a>		