

PRODUCT NUMBER

XXXXX-YYTLF

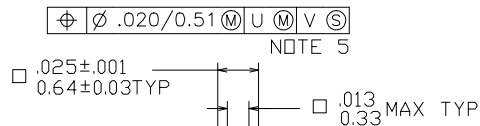
LEAD FREE OPTION (SEE NOTE 11 & 12)

TUBE PACKAGING (SEE NOTE 8)

NO. OF POSITIONS (SEE NOTE 6)

PLATING NUMBER
(SEE SHEET 2)

BASE PART NO.
(SEE SHT 3)

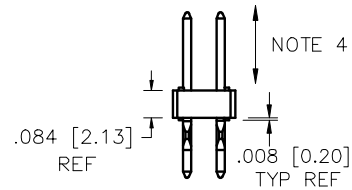
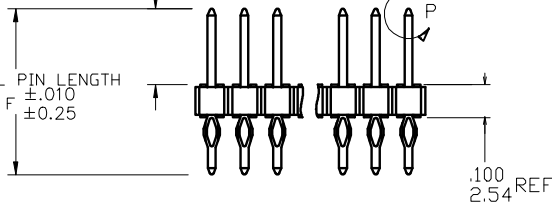


DETAIL P
SCALE: 4/1
TYP BOTH ENDS

25°±5° TYP
4 SIDES

MATING LENGTH
DIM H
NOTE 9

TOTAL PIN LENGTH
DIM F
 $\pm .010$
 ± 0.25



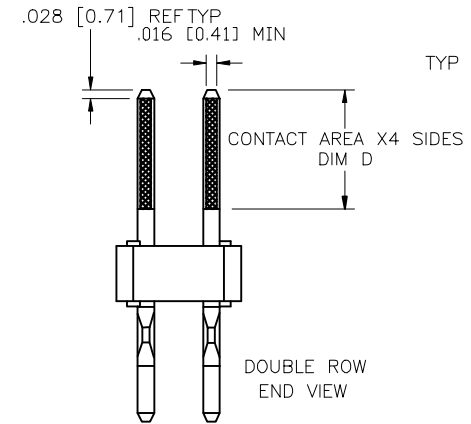
NOTE 6



mat'l. code				surface	tolerance	projection	product family
				ISO 1302	ISO 406 ISO 1101	ISO 1502	BERGSTIK
ltr	ecn no	dr	date	tolerances unless otherwise specified		INCH/MM	title
C	V51033	LSS	9/1/95	angles	.XX±.01/.XX±0.3		
D	V71404	HTB	10/6/97	linear	.XXX±.0050/.XXX±0.13	BERGSTIK® II HEADER DR	
E	N05-0070	MHT	4/14/05	0'±2'	.XXX±.0020/.XXX±0.051	scale	.100/2.54cc DUPLEX PRESS FIT
F	M05-0118	MHT	6/03/05	dr	T. BREWBAKER	11/10/94	dwg no
G	M06-0271	AGS	7/17/06	engr	T. HANNA	11/10/94	sheet 1 of 3
H	M06-0346	MHT	9/04/06	chr	T. HANNA	11/10/94	size
J	M08-0291	MHT	10/08/08	appd	T. HANNA	5/31/95	A3
sheet	revision	J	J	J	type		
index	sheet	1	2	3	Product Customer Drawing		

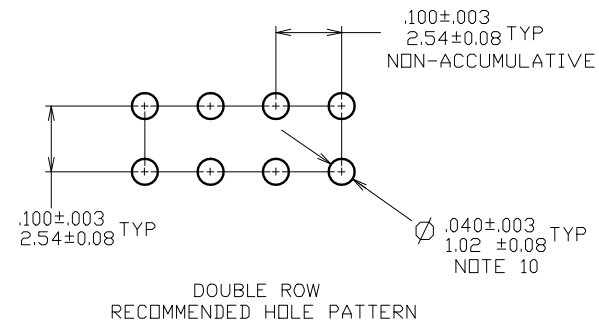
PLATING NUMBER	CONTACT AREA "DIM D" PLATING	PRESS FIT TAIL PLATING
XXXXX-1YY	30u"/0.76u Au OVER 50u"/1.27u Ni	40u"/1.02u TIN OVER 50u"/1.27u Ni
XXXXX-2YY	15u"/0.38u Au OVER 50u"/1.27u Ni	40u"/1.02u TIN OVER 50u"/1.27u Ni
XXXXX-4YY	120u"/3.05u TIN-LEAD OVER 50u"/1.27u Ni	120u"/3.05u TIN OVER 50u"/1.27u Ni
XXXXX-5YY	30u"/0.76u GXT OVER 50u"/1.27u Ni	40u"/1.02u TIN OVER 50u"/1.27u Ni
LF PLATING NUMBER	CONTACT AREA "DIM D" PLATING	PRESS FIT TAIL PLATING
XXXXX-1YYLF	30u"/0.76u Au OVER 50u"/1.27u Ni	40u"/1.02u TIN OVER 50u"/1.27u Ni
XXXXX-2YYLF	15u"/0.38u Au OVER 50u"/1.27u Ni	40u"/1.02u TIN OVER 50u"/1.27u Ni
XXXXX-4YYLF	120u"/3.05u TIN OVER 50u"/1.27u Ni	120u"/3.05u TIN OVER 50u"/1.27u Ni
XXXXX-5YYLF	30u"/0.76u GXT OVER 50u"/1.27u Ni	40u"/1.02u TIN OVER 50u"/1.27u Ni

NOTE 13



NOTES

- ① BODY MATERIAL: GLASS FIBER REINFORCED PCT FLAME RETARDENT PER UL-94V-O. COLOR: BLACK.
OR
MINERAL FILLED LCP FLAME RETARDENT PER UL-94V-O. COLOR: BLACK.
- ② PIN MATERIAL: PHOS-BRONZE.
3. FINISH: SEE TABLE
- ④ 2 Lbs / 0.9 Kg MIN RETENTION IN EITHER DIRECTION.
- ⑤ MEASURED WITH PART IN RESTRAINED CONDITION.
- ⑥ ANY NUMBER OF POSITIONS FROM 2 (2X1) THROUGH 72 (2X36).
7. PACKAGED IN POLY BAGS.
- ⑧ EIGHT DIGIT PART NUMBERS FOLLOWED BY A "T" ARE PACKAGED IN TUBES. SEE SPECIFIC PART NUMBERS FOR AVAILABILITY.
- ⑨ TO ASSURE PROPER INSTALLATION: BERG TOOLING, AS SPECIFIED IN INSTRUCTION MANUAL 166577 MUST BE USED. PIN MATING LENGTH WILL BE ±.005/0.13 AFTER INSTALLATION.
- ⑩ ϕ .0453/1.151 DRILLED HOLE PLATED WITH .0003/.007 MIN. SnPb OVER .001/.03 TO .003/.08 Cu. PLATING TO ACHIEVE A ϕ .040±.003/1.02±.08 HOLE.
- ⑪ ADD "LF" SUFFIX AT THE END OF PART NUMBER FOR LEAD FREE OPTION.
- ⑫ THIS PRODUCT MEETS EUROPEAN UNION DIRECTIVES AND OTHER COUNTRY REGULATION AS DESCRIBED IN GS-22-008.
- ⑬ "THIS PRODUCT HAS 100% PURE TIN PLATING IN THE INTERFACE AND HAS NOT BEEN TESTED FOR WHISKER GROWTH IN ALL INTERCONNECT ENVIRONMENTS."



mat'l. code		surface ISO 1302	tolerance ISO 406 ISO 1101	projection	product family BERGSTIK
ltr	ecn no	dr	date	tolerances unless otherwise specified	title
J				linear XX±.01/XX±0.3 XXX±.0050/XXX±0.13 O'±2' XXXX±.0020/XXXX±0.061	BERGSTIK® II HEADER DR .100/2.54cc DUPLEX PRESS FIT
				dr T. BREWBAKER 11/10/94	dwg no 94674 sheet 2 of 3 size A3
				engr T. HANNA 11/10/94	type Product Customer Drawing
				chr T. HANNA 11/10/94	
				appd T. HANNA 5/31/95	
sheet	revision				
index	sheet				



Copyright FCJ

PRODUCT NO.	TOTAL PIN LGTH		MATING LENGTH		CONTACT AREA		PACKAGING
	DIM F	DIM F	DIM H	DIM H	DIM D	DIM D	
	ENGLISH	METRIC	ENGLISH	METRIC	ENGLISH	METRIC	
94674-XYY	0.505	12.83	0.230	5.84	0.185	4.70	POLY BAGS
94677-XYY	0.593	15.06	0.318	8.08	0.200	5.08	POLY BAGS
94674-XYYLF	0.505	12.83	0.230	5.84	0.185	4.70	POLY BAGS
94677-XYYLF	0.593	15.06	0.318	8.08	0.200	5.08	POLY BAGS



Copyright FCJ

mat'l. code		surface	tolerance	projection	product family
		ISO 1302	ISO 406 ISO 1101		BERGSTIK
ltr	ecp no	dr	date	title	
J				BERGSTIK® II HEADER DR	
		angles	linear	INCH/MM	.100/2.54cc DUPLEX PRESS FIT
		0° ± 2'	XXX±.01/XX±0.3 XXX±.0050/XX±0.13 XXX±.0020/XX±0.051	scale	2:1
		dr	T. BREWBAKER	11/10/94	dwg no
		engr	T. HANNA	11/10/94	sheet 3 of 3
		chr	T. HANNA	11/10/94	size
		appd	T. HANNA	5/31/95	A3
sheet		revision		type	
index	sheet			Product Customer Drawing	

Mouser Electronics

Authorized Distributor

Click to View Pricing, Inventory, Delivery & Lifecycle Information:

[FCI / Amphenol:](#)

[94674-440](#) [94674-440LF](#) [94674-124](#) [94674-206](#) [94674-208](#) [94674-260](#) [94674-436](#) [94674-472](#)