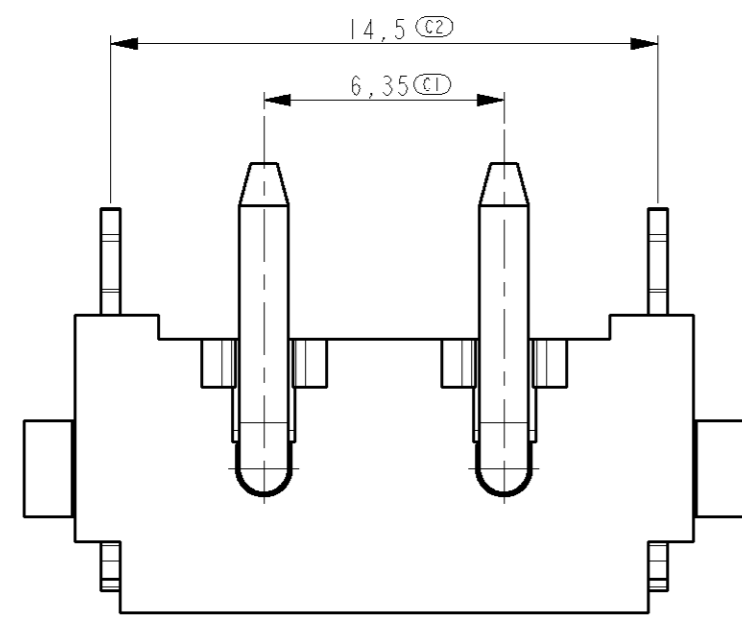


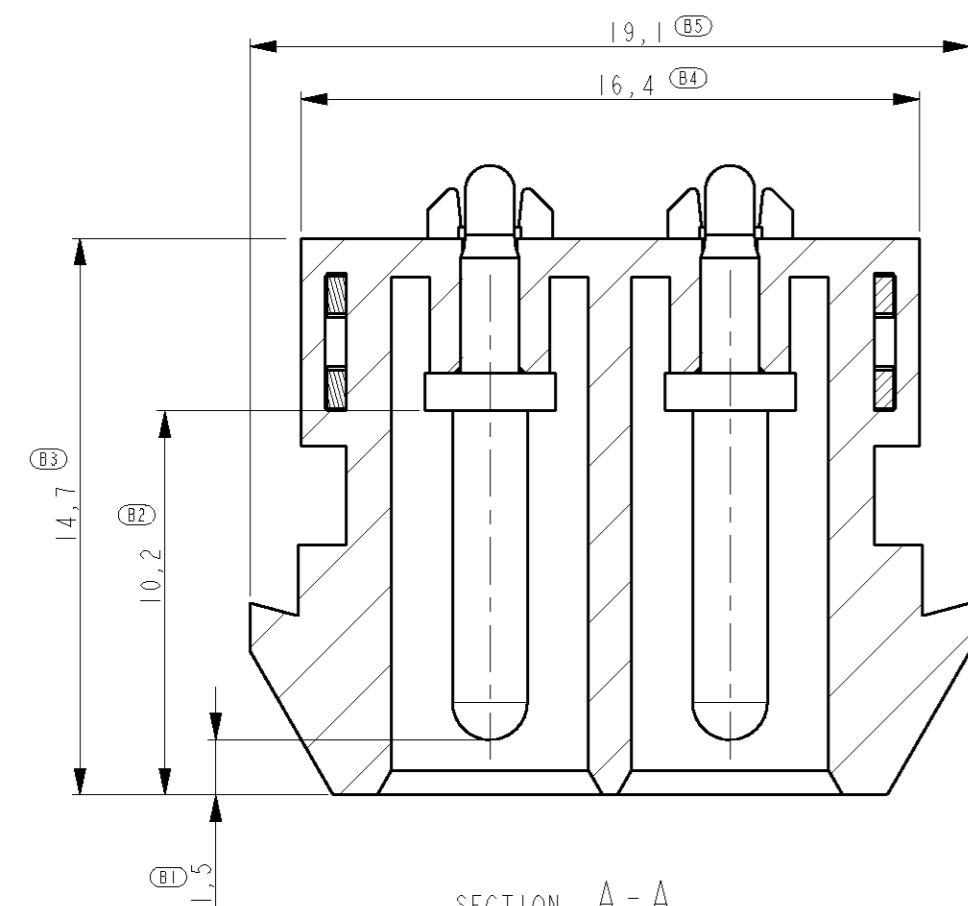
THIS DRAWING IS UNPUBLISHED. RELEASED FOR PUBLICATION
 BY TYCO ELECTRONICS CORPORATION. ALL RIGHTS RESERVED.

LOC		DIST		REVISIONS			
P	LTR	DESCRIPTION	DATE	DWN	APVD		
A		RELEASED	19JUN2007	RD	RL		
B		ECR-08-025212	07OCT2008	JvdH	RL		

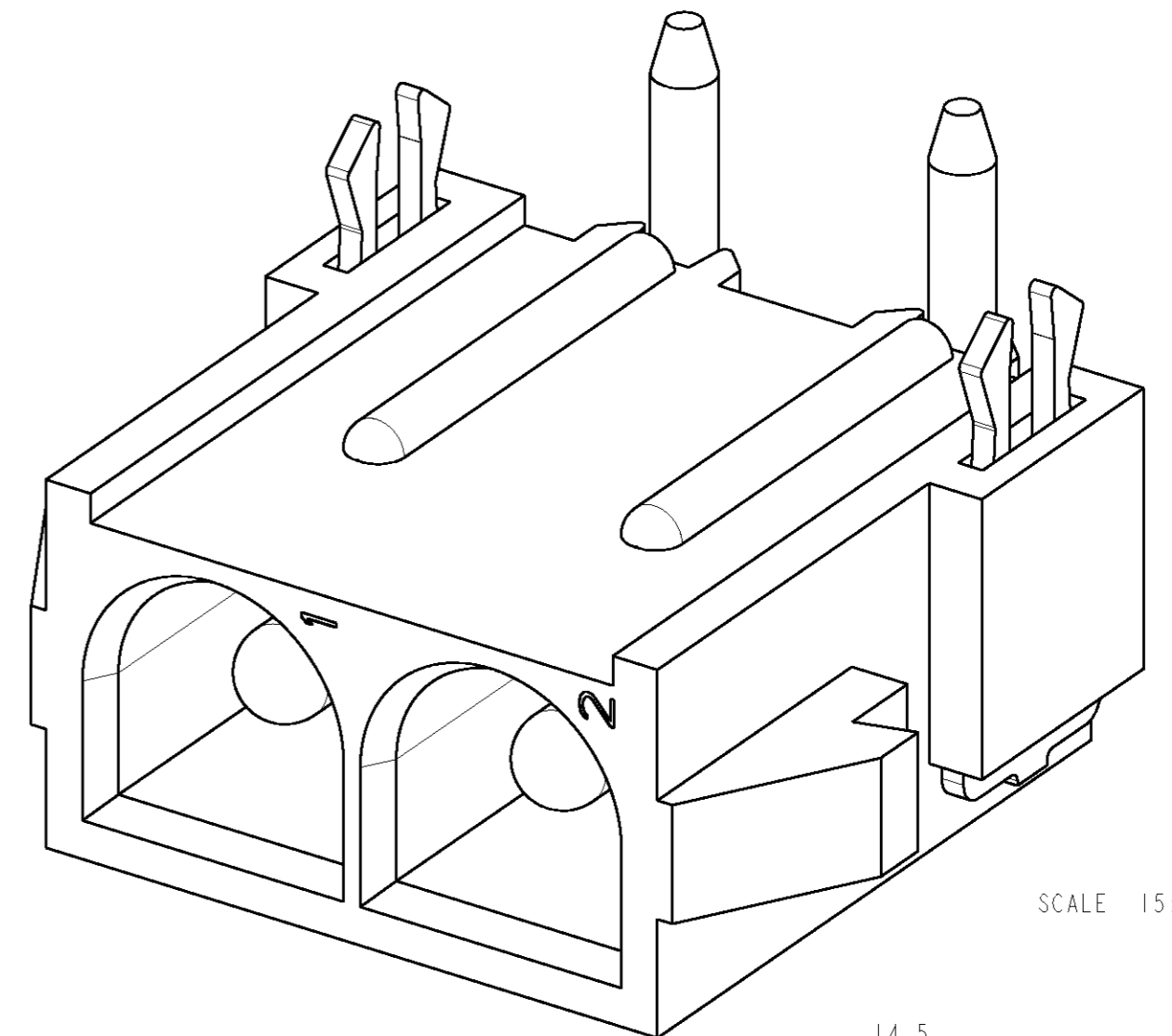
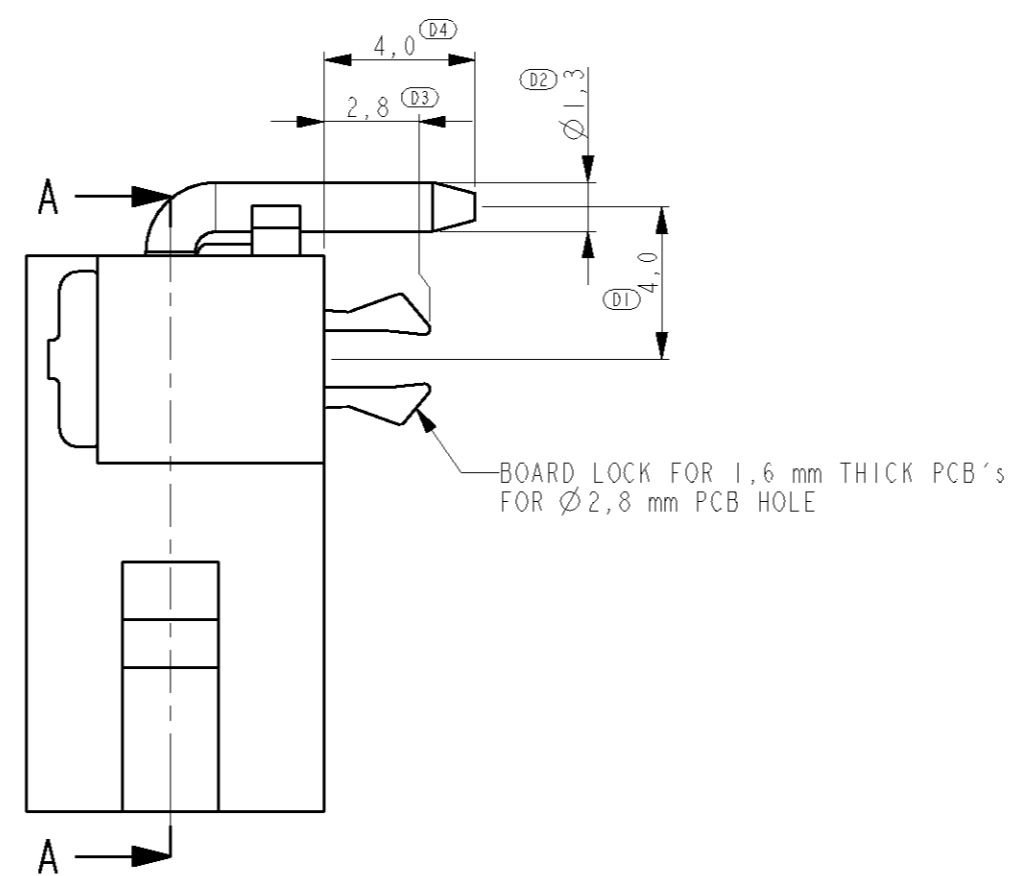


NOTES:

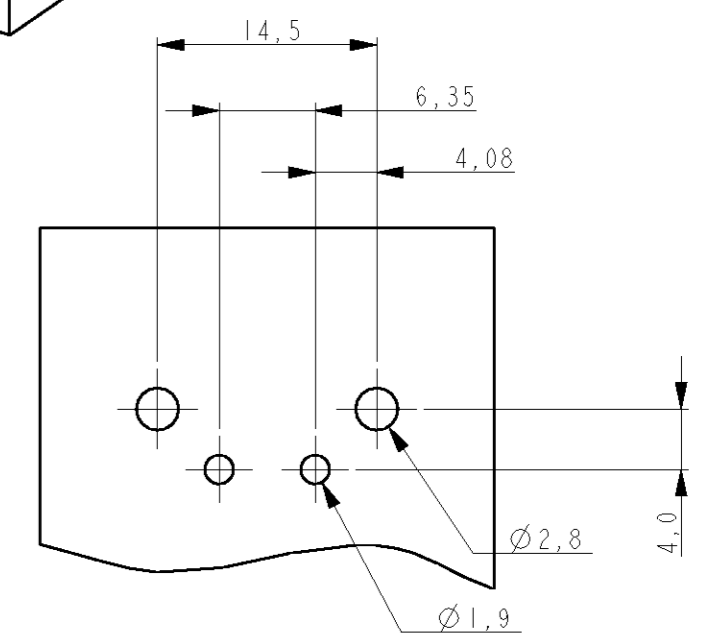
- 1 MATERIAL CONTACTS: COPPER
- 2 PLATING CONTACTS: SILVER 5µm MIN OVER 1,2µm NICKEL MIN.
- 3 MATERIAL HOUSING: PA 4.6/30% GF Naturel
- 4 PLATING BOARD LOCKS: 5µm Sn MIN OVER 2,5µm Ni MIN.



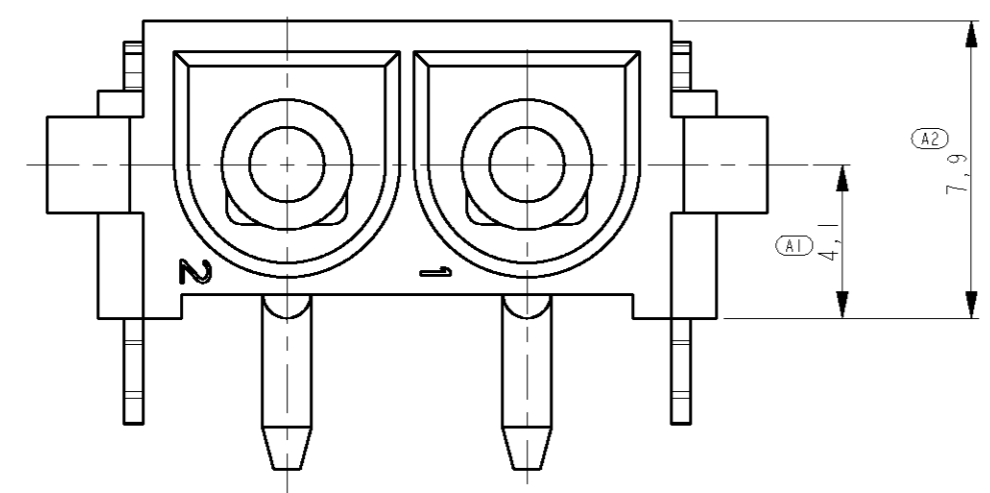
SECTION A-A
SCALE 5:1



SCALE 15:2



RECOMMENDED PCB LAYOUT FOR 1,6mm THK PC BOARD
SCALE 2:1



ORDERNUMBER: 1982101-1

<small>THIS DRAWING IS A CONTROLLED DOCUMENT FOR TYCO ELECTRONICS CORPORATION. IT IS SUBJECT TO CHANGE AND THE CONTROLLING ENGINEERING ORGANIZATION SHOULD BE CONTACTED FOR THE LATEST REVISION.</small>		DWN	R. Daamen	19JUN07	Tyco Electronics Nederland BV 's-Hertogenbosch, The Netherlands	
DIMENSIONS: mm 		CHK	R. Lokker	-	NAME SOCKET HEADER RA, 2 POS UNIVERSAL MATE-N-LOK	
TOLERANCES UNLESS OTHERWISE SPECIFIED: 0 PLC ± 1 PLC ±0,2 2 PLC ±0,10 3 PLC ±0,050 4 PLC ± ANGLES ± FINISH		APVD	J. Broeksteeg	-	PRODUCT SPEC	-
MATERIAL		APPLICATION SPEC	-		SIZE	A2
-		WEIGHT	-		CAGE CODE	00779
-		CUSTOMER DRAWING	-		DRAWING NO	G-1982101
-		SCALE	5:1	SHEET	1	OF 1
-		REV	B	RESTRICTED TO		

Mouser Electronics

Authorized Distributor

Click to View Pricing, Inventory, Delivery & Lifecycle Information:

[TE Connectivity:](#)

[1982101-1](#)