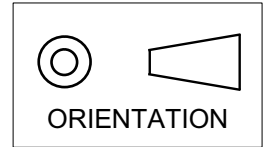


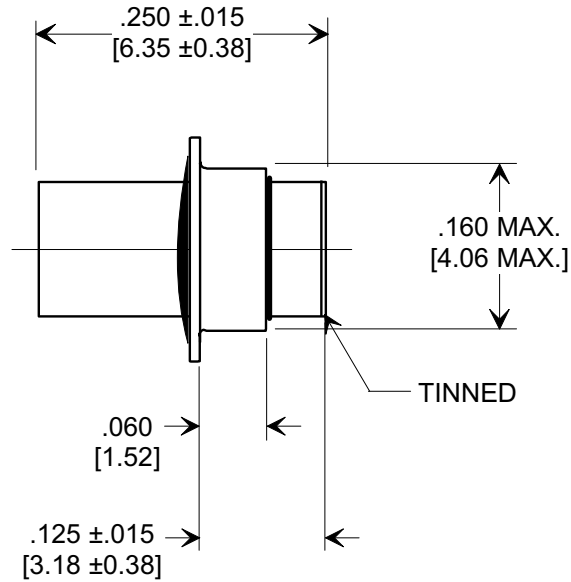
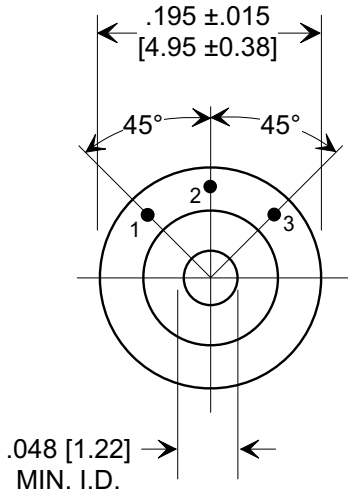
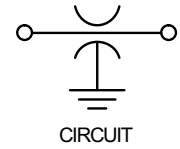
**MARKETING SALES DRAWING**

**DIMENSIONS IN INCHES - DO NOT SCALE THIS DRAWING**  
**DIMENSIONS IN METRIC - [ ]**

This drawing is the property of Tusonix, Inc., and may not be used, reproduced, published or disclosed to others without expressed authorization by Tusonix Inc.



**Electrical Testing**  
**per Tusonix standard**  
**test plans and Mil-Std-202**  
**Test Methods.**



**NOTES:**

- TUSONIX STANDARD PART NUMBER: 2482-012-X5U0-101M.  
 TUSONIX RoHS COMPLIANT PART NUMBER: 2482-012-X5U0-101M LF.  
 CUSTOMER MUST SPECIFY STANDARD OR RoHS PART NUMBER WHEN ORDERING.
- EYELET FINISH: STANDARD PART #: 60/40 SOLDER PLATED. RoHS PART #: SILVER PLATED.
- PART MARKING: STANDARD PART 3 DOT COLOR CODE. RoHS PART 3 DOT COLOR CODE AND GREEN DOT.

**SPECIFICATIONS**

TUSONIX STYLE:	2482-012
CAP. VALUE:	100 pF
CAP. TOL.:	± 20 %
TEMP. CHAR.:	X5U
OPERATING TEMP.:	-55° TO +85°C
OPERATING VOLT.:	300 WVDC
DIEL. WITHSTANDING VOLTAGE:	900 VDC FOR 2 SEC.

X-2015 Rev-0 REVISION RECORD Original Release C.O. 20060818-3-02	0	<b>--TOLERANCES--</b> Unless Otherwise Specified  DECIMAL ± .015 [0.38]  ANGLES ±	Title <b>FEED-THRU CAPACITOR</b>		
	<b>TUSONIX</b> TUCSON, ARIZONA		Drawn <b>S.M. 08-21-06</b>	Scale <b>6 X</b>	
	<b>A</b>		Approved <b>T.C. 08-21-06</b>		
	<b>2482-012-X5U0-101M</b>				

# Mouser Electronics

Authorized Distributor

Click to View Pricing, Inventory, Delivery & Lifecycle Information:

[Tusonix:](#)

[2482-012-X5U0-101MLF](#)