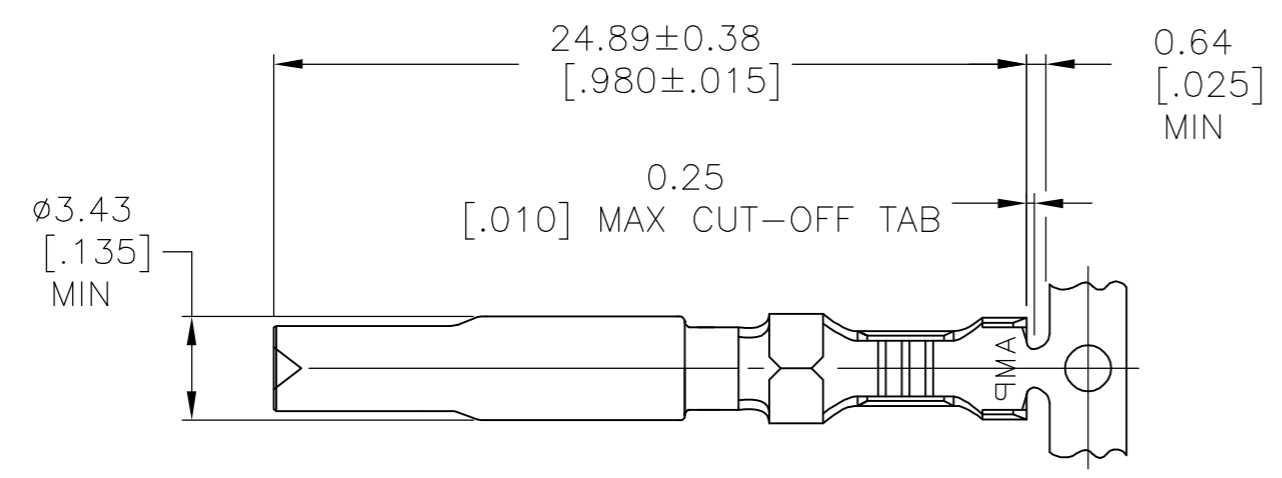
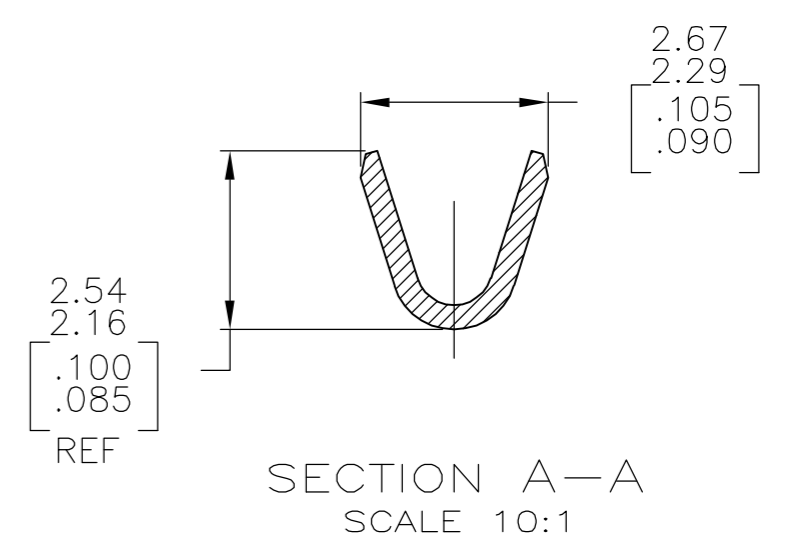
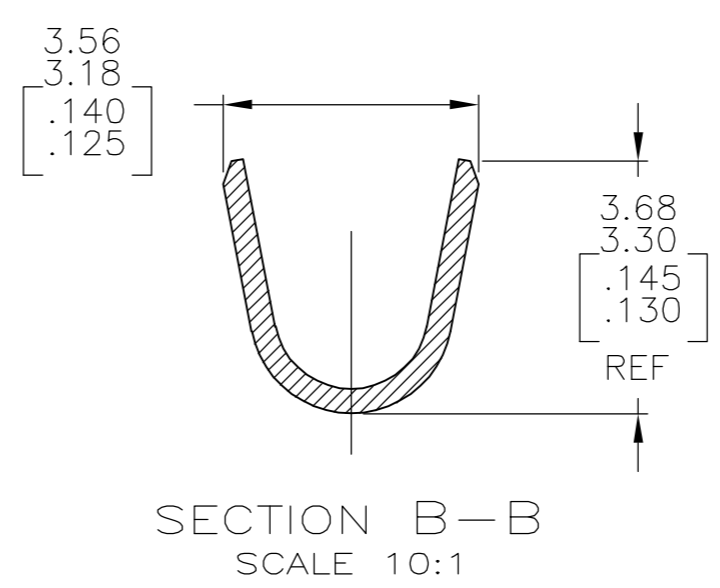
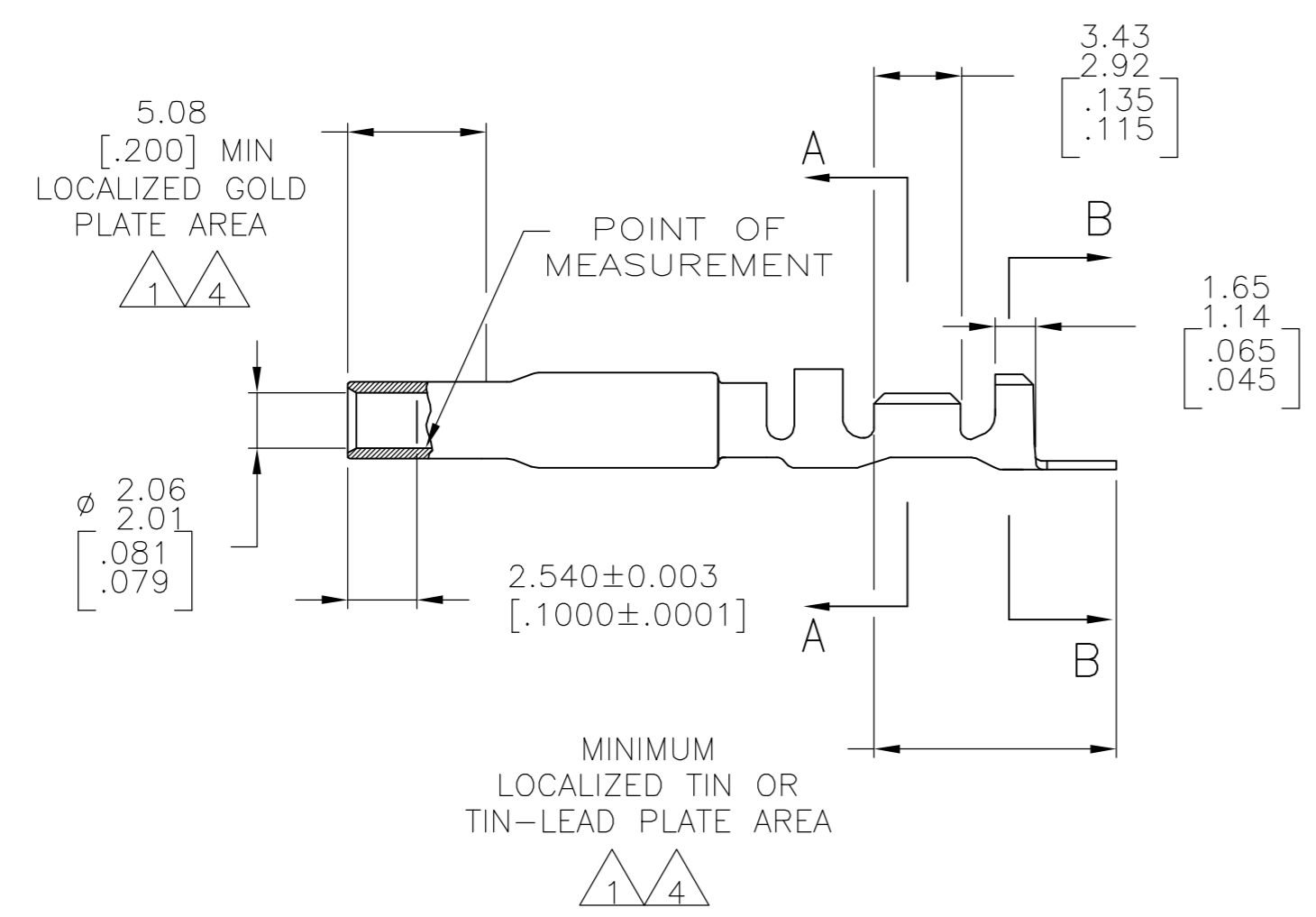


THIS DRAWING IS UNPUBLISHED. RELEASED FOR PUBLICATION
 © COPYRIGHT BY TYCO ELECTRONICS CORPORATION. ALL RIGHTS RESERVED.

LOC	DIST	REVISIONS			
P	LTR	DESCRIPTION	DATE	DWN	APVD
CM	0	E	EC 063B 0215 05	16SEP05	BSV RCJ



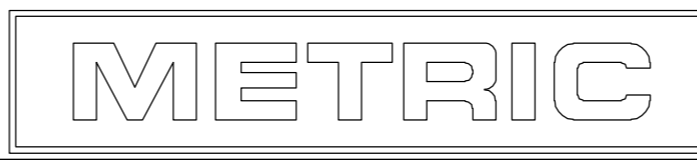
- 1. 0.00076[.000030] MIN GOLD AT POINT OF MEASUREMENT IN THE LOCALIZED GOLD PLATE AREA, 0.00127[.000050] MIN TIN-LEAD IN TIN-LEAD PLATE AREA, 0.00127[.000050] MIN NICKEL UNDERPLATE ON ENTIRE CONTACT.
- 2. WIRE RANGE: 0.2-1mm² [24-18 AWG]. INSULATION RANGE: 1.02-2.54[.040-.100] DIA.
- 3. DIMENSIONS IN BRACKETS ARE IN INCHES.
- 4. 0.00076[.000030] MIN GOLD AT POINT OF MEASUREMENT IN THE LOCALIZED GOLD PLATE AREA, 0.00127[.000050] MIN TIN IN TIN PLATE AREA, 0.00127[.000050] MIN NICKEL UNDERPLATE ON ENTIRE CONTACT.



FINISH	MATERIAL	PART NO
GOLD 4	0.30 [.012] PH BRZ	1-770010-0
GOLD 1	0.30 [.012] PH BRZ	770010-4
PRE-TIN	0.30 [.012] PH BRZ	770010-3

THIS DRAWING IS A CONTROLLED DOCUMENT.

DIMENSIONS: mm [INCHES]	TOLERANCES UNLESS OTHERWISE SPECIFIED:	DWN K. SALMON 20JAN93	Tyco Electronics Corporation Harrisburg, PA 17105-3608
0 PLC ± -	1 PLC ± -	CHK R. SWING 20JAN93	
	2 PLC ± -	APVD M. TRULL 01APR93	NAME
	3 PLC ± -	PRODUCT SPEC	SOCKET, UNIVERSAL MATE-N-LOK(TM) II
MATERIAL SEE TABLE	FINISH SEE TABLE	APPLICATION SPEC	SIZE CAGE CODE DRAWING NO RESTRICTED TO
		WEIGHT	A2 00779 C=770010
		CUSTOMER DRAWING	SCALE 4:1 SHEET 1 OF 1 REV E



Mouser Electronics

Authorized Distributor

Click to View Pricing, Inventory, Delivery & Lifecycle Information:

[TE Connectivity:](#)

[1-770010-0](#)