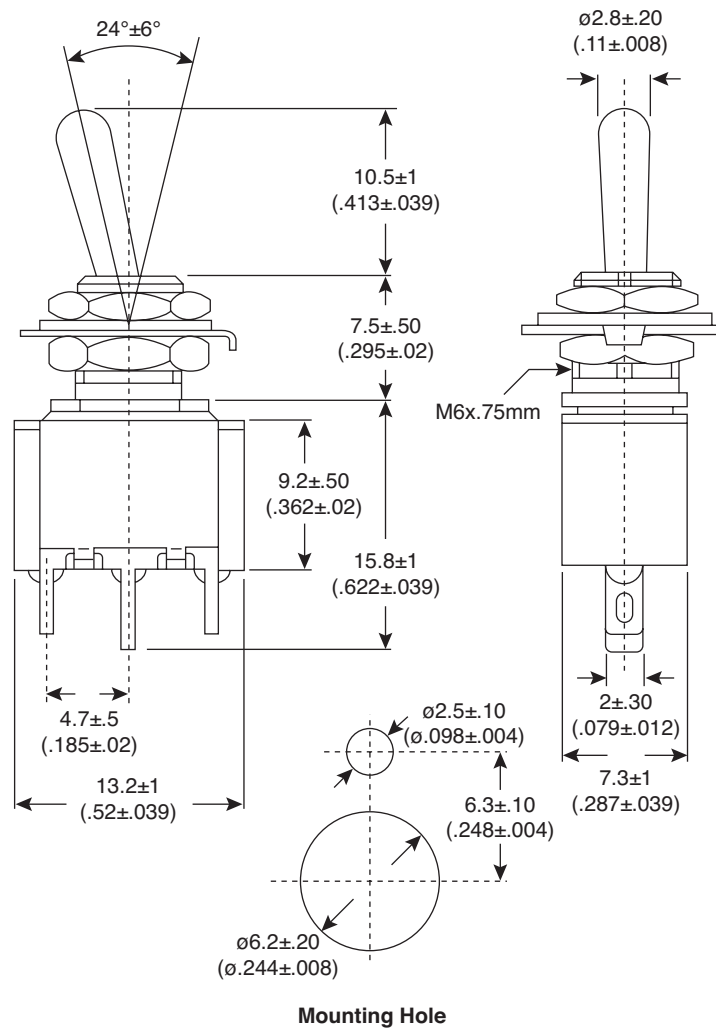


**DIMENSIONS: mm (in.)**



**Electrical Specifications:**

- Rating: 6A/125VAC, 3A/250VAC
- Contact resistance: 50m  $\Omega$  max
- Insulation resistance: 100M  $\Omega$  min. 500VDC
- Dielectric strength: 1000VAC 1 min

**Mechanical Specifications:**

- Operating temperature:  $-20^{\circ}\text{C}$  to  $+68^{\circ}\text{C}$
- Circuit: 3P SPDT On-Off-On

**Note:**

- RoHS Compliant by Exemption

**Miniature Toggle Switch**  
108-TA1135B-EVX



# Mouser Electronics

Authorized Distributor

Click to View Pricing, Inventory, Delivery & Lifecycle Information:

[Mountain Switch:](#)

[1055-TA1135B-EVX](#)