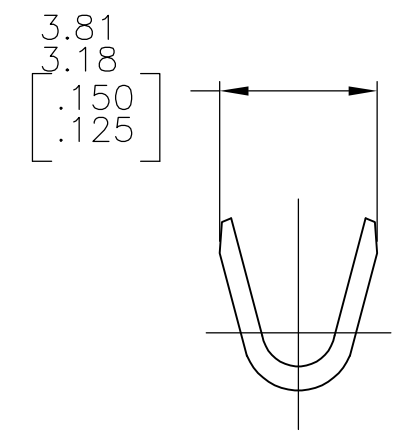
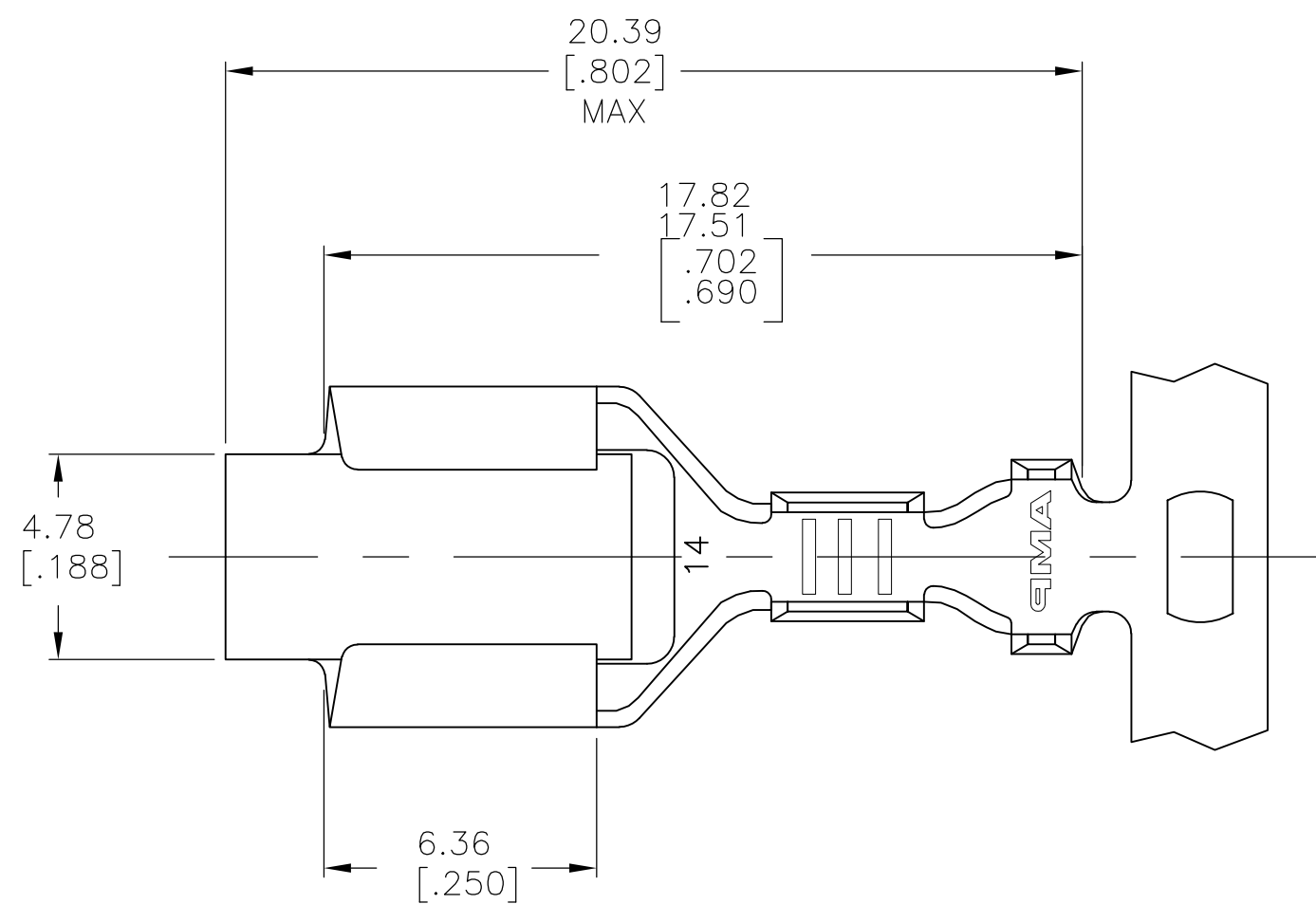
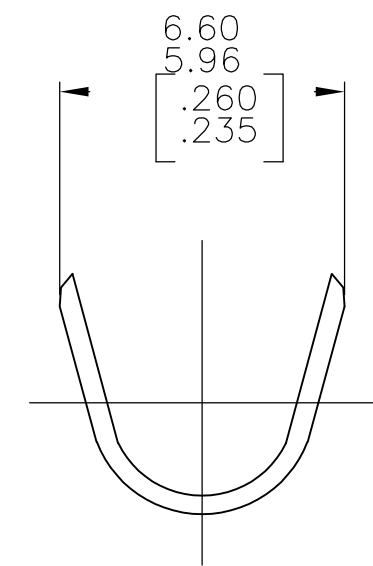
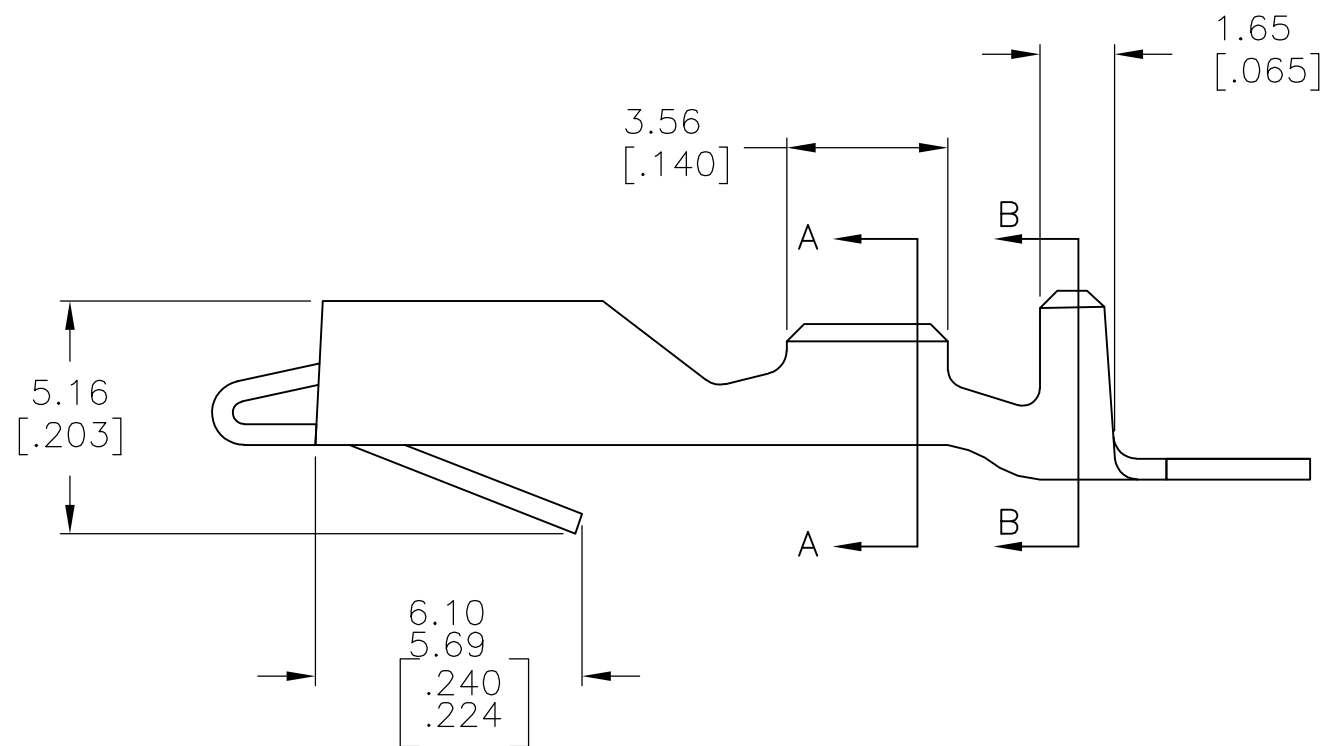
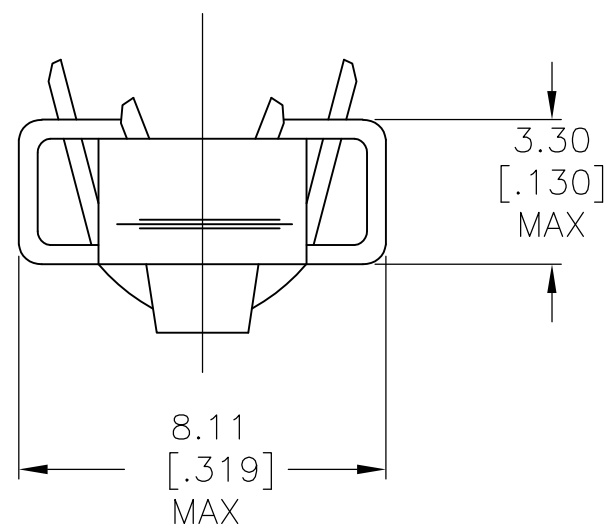


THIS DRAWING IS UNPUBLISHED. RELEASED FOR PUBLICATION  
 © COPYRIGHT BY TYCO ELECTRONICS CORPORATION. ALL RIGHTS RESERVED.

| LOC | DIST | REVISIONS   |                           |         |        |
|-----|------|-------------|---------------------------|---------|--------|
| P   | LTR  | DESCRIPTION | DATE                      | DWN     | APVD   |
| AF  | 50   | J           | REVISED PER ECR-07-020153 | 15MAY08 | HMR KR |



SECTION A-A



SECTION B-B

|         |                  |           |             |
|---------|------------------|-----------|-------------|
| PRE-TIN | .154 MAX         | 18-14     | 640418-2    |
| NONE    | .154 MAX         | 18-14     | 640418-1    |
| FINISH  | INSULATION RANGE | WIRE SIZE | PART NUMBER |

|  |  |                                  |   |  |
|--|--|----------------------------------|---|--|
| THIS DRAWING IS A CONTROLLED DOCUMENT. |  | DWN<br>RAGHAVENDRA<br>15MAY08    | Tyco Electronics Corporation<br>Harrisburg, Pa 17105-3608 |  |
| DIMENSIONS:<br>mm [INCHES]             |  | CHK<br>RANDOLPH KURT<br>15MAY08  | NAME  |  |
| TOLERANCES UNLESS OTHERWISE SPECIFIED: |  | APVD<br>RANDOLPH KURT<br>15MAY08 | PRODUCT SPEC  |  |
| 0 PLC ± -                              |  | APPLICATION SPEC                 |   |  |
| 1 PLC ± -                              |  | WEIGHT                           |   |  |
| 2 PLC ± -                              |  | A2 00779                         |   |  |
| 3 PLC ± .015                           |  | SCALE 6:1                        |   |  |
| 4 PLC ± -                              |  | SHEET 1 OF 1                     |   |  |
| ANGLES ± -                             |  | REV J                            |   |  |
| FINISH                                 |  | RESTRICTED TO                    |   |  |
| SEE TABLE                              |  | C=640418                         |   |  |
| MATERIAL<br>BRASS                      |  | CUSTOMER DRAWING                 |   |  |

640418

A

# Mouser Electronics

Authorized Distributor

Click to View Pricing, Inventory, Delivery & Lifecycle Information:

[TE Connectivity:](#)

[640418-2](#)