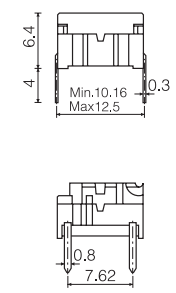
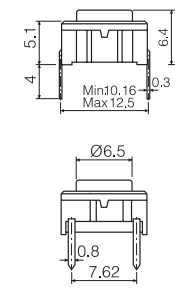
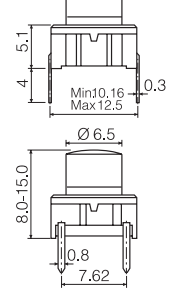
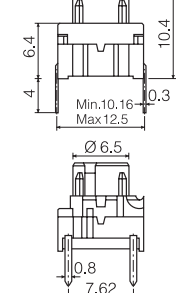
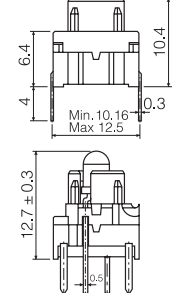
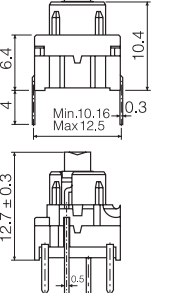
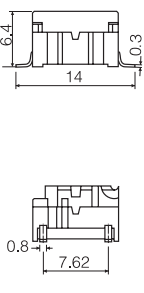
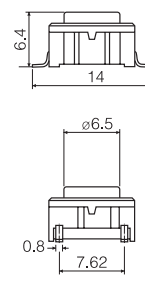
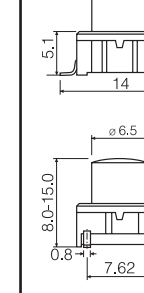
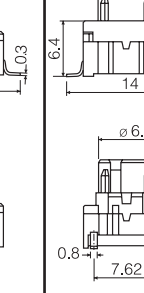
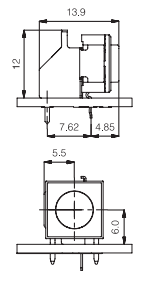
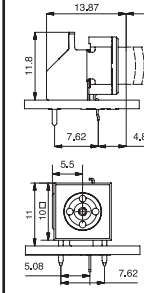
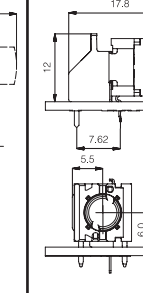
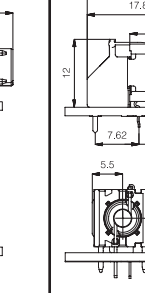
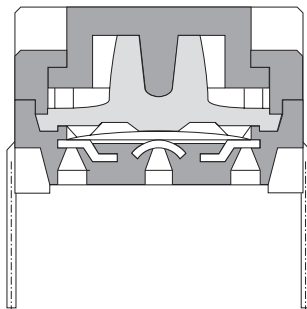


Through-hole Versions					
3A	3C	3E	3F		
For: 1A/1B/1M/1ZA/1ZB		For: 3E actuators/ Varimec	For:1D/1GA/1GC/1K/ 1N/1P/1S/1T/1U/1V/ 1WA/1WD/1WP/ 1X/ 1ZC	w/LED for 1D/1E/1F/ 1N/1Q/1R/1S/1X	w/LED for 1K/1KB/ 1KC/1T/1U/1V/ 1WA/1WD/1WP
					
Standard Version					
3ATL6 3ATH9	3CTL6/3CTL9 3CTH9	3ETLXX-H* 3ETHXX-H*	3FTL6 3FTH9	3FTL600/20/40/60/ 80/2040/8020/8040	3FTL623/45/88
* 3E available in 6 standard heights: 08.0, 09.5, 10.4, 11.0, 12.0, 15.0 mm. Other heights between 08.0 and 15.0 are available upon request.					
Specials: Gold contacts, quiet version and actuation force other than 3.0N					

Surface Mount Versions				Right Angle Versions			
3A	3C	3E	3F	3C	3E	3F	3F w/LED
For: 1A/1B/1M/1ZA/ 1ZB		For: 3E actuators/ Varimec	For: 1D/1K/1N/ 1P/1S/1T/1U/ 1V/1WA/1WD/ 1WP/1X/1ZC/ 1GA/1GC		For: 3E actuators/ Varimec	For: 1D/1K/1N/ 1P/1S/1T/1U/ 1V/1WA/1WD/ 1WP/1X/1ZC/ 1GA/1GC	For: 1D/1E/1F/ 1N/1Q/1R/1S
							
Standard Versions				Standard Versions			
3ASH9 3ASH9R	3CSH9 3CSH9R	3ESH9 3ESH9R	3FSH9 3FSH9R	3CTL6RAS	3ETXX-X.XRAS	3FTL6RAS	3FTL600/20/40/ 60/80/2040/ 8020/8040RAS

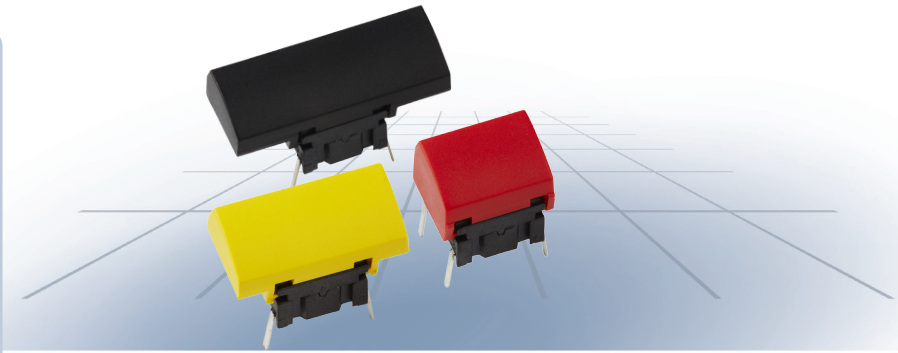
Co-planarity = ≤0.05 DIMENSIONS (mm) Unless otherwise specified, all tolerances ±0.2

multimec® Cross Sections

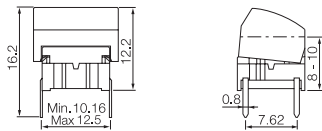


Technical Data

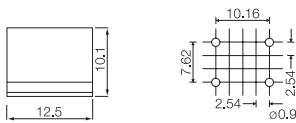
- through-hole or SMD
- 50mA/24VDC
- single pole/momentary
- 10.000.000 operations life time
- IP67 sealing
- temperature range:
 - low temp: -40/+115°C
 - high temp: -40/+160°C



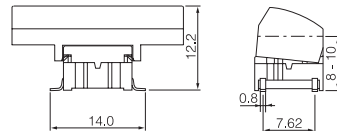
Dimensions (through-hole) 1A



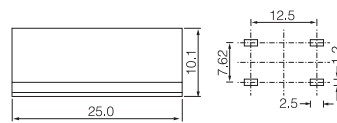
PCB layout



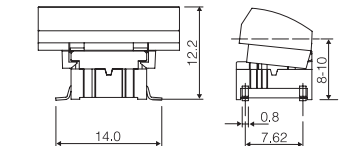
Dimensions (SMD) 1M



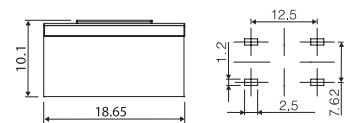
PCB layout



Dimensions (SMD) 1ZA



PCB layout



How to order

3 A

Switch



Mounting

T through-hole
S surface mount



L 6 low temp.
H 9 high temp.

+

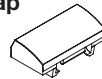
1 A

Cap



1 Z A

Cap



00 blue
02 green
03* grey
04 yellow
06* white
08 red
09* black

30* ultra blue
40* dusty blue
42* aqua blue
32 mint green
33 tele grey
34 melon
38 noble red

50* metal dark blue
53* metal light grey
57* metal dark grey
58* metal bordeaux

***) Colours for 1ZA**

3 A

Switch



Mounting

T through-hole
S surface mount



L 6 low temp.
H 9 high temp.

+

1 M

Cap



00 blue
02 green
03 grey
04 yellow
06 white
08 red
09 black

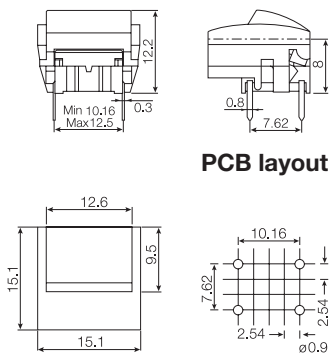
Ordering example: 3ATL6+1ZA40

Technical Data

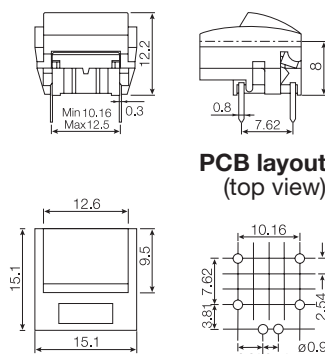
- through-hole or SMD
- 50mA/24VDC
- single pole/momentary
- 10.000.000 operations life time
- IP67 sealing
- temperature range:
 - low temp: -40/+115°C
 - high temp: -40/+160°C



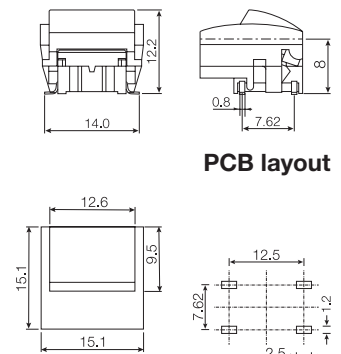
Dimensions (through-hole)





Dimensions w/LED PCB mounted (2D)






Dimensions (SMD)



How to order

3 A	<input type="checkbox"/>	<input type="checkbox"/>	+	1 B	<input type="checkbox"/>	+	2 C	<input type="checkbox"/>	For 1B and 2C only:	
Switch	Mounting	L 6 low temp.		Cap	00 blue		Bezel	00 blue	30 ultra blue	50 metal dark blue
	T through-hole	H 9 high temp.			02 green			02 green	40 dusty blue	53 metal light grey
	S surface mount				03 grey			03 grey	42 aqua blue	57 metal dark grey
					04 yellow			04 yellow	32 mint green	58 metal bordeaux
					06 white			06 white	33 tele grey	
					08 red			08 red	34 melon	
					09 black			09 black	38 noble red	

3 A	<input type="checkbox"/>	<input type="checkbox"/>	+	1 B	<input type="checkbox"/>	+	2 D	<input type="checkbox"/>	<input type="checkbox"/>
Switch	Mounting	L 6 low temp.		Cap	00 blue		Bezel	00 blue	Lens
	T through-hole	H 9 high temp.			02 green			02 green	1 transparent
	S surface mount				03 grey			03 grey	2 green
					04 yellow			04 yellow	4 yellow
					06 white			06 white	6 frosted white
					08 red			08 red	8 red
					09 black			09 black	
							+	2 D X X X	
								LED for 2B bezel	20 green
									40 yellow
									80 red

Ordering example: 3ATL6+1B02+2D091

Mouser Electronics

Authorized Distributor

Click to View Pricing, Inventory, Delivery & Lifecycle Information:

[Apem:](#)

[3ATL6](#) [3ATL680](#) [3ATL6Q](#) [3ASH9](#) [3ATH9](#) [3ATL640](#) [3ATL620](#) [3ATL600](#) [3ATH9Q](#) [3ASH9R](#) [3ATL680Q](#)