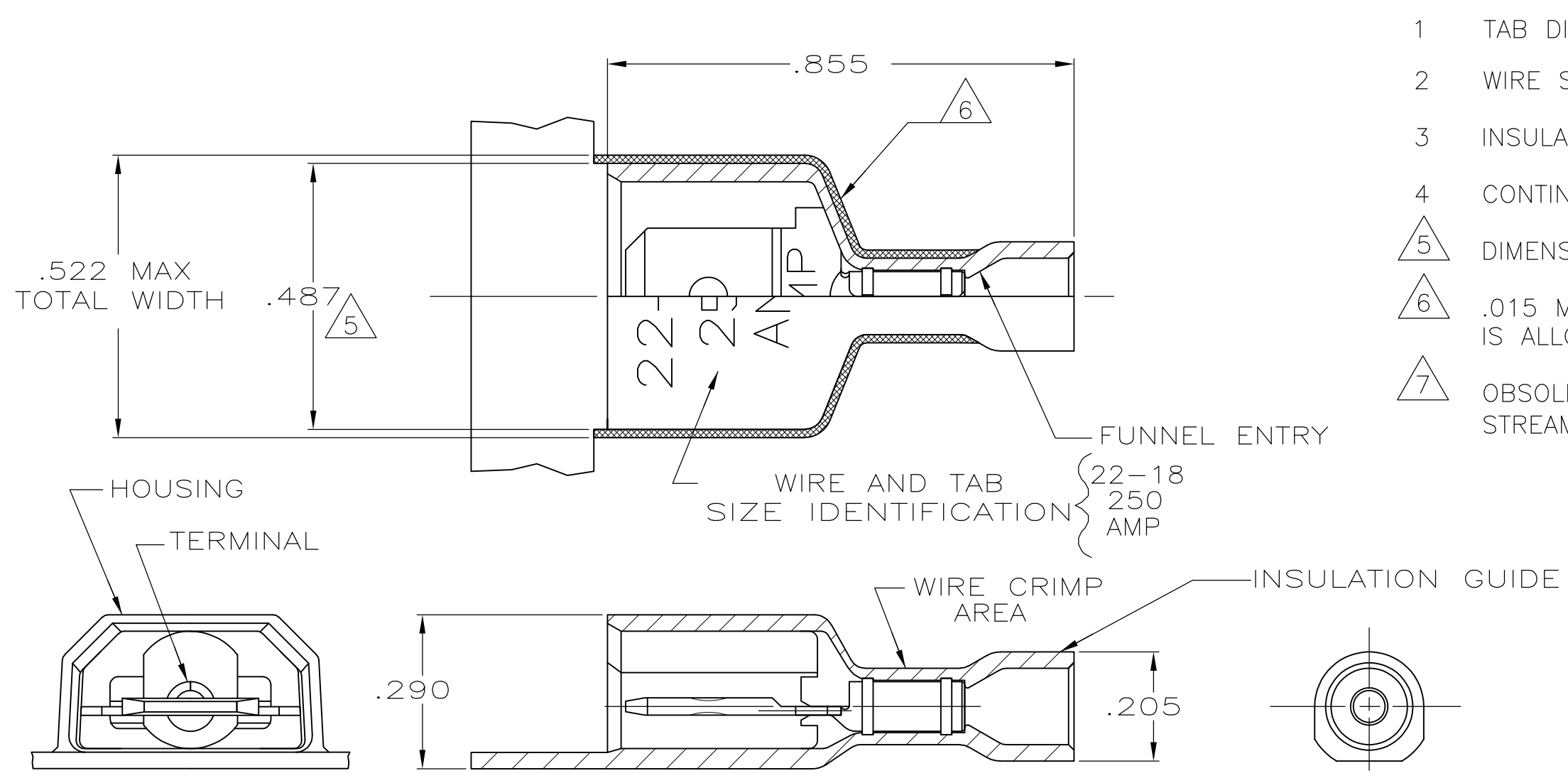


THIS DRAWING IS UNPUBLISHED. RELEASED FOR PUBLICATION  
 © COPYRIGHT - By - ALL RIGHTS RESERVED.

LOC	DIST	REVISIONS			
P	LTR	DESCRIPTION	DATE	DWN	APVD
AF	50	R	REVISED PER ECR-13-004343	30JUL13	KH KR



- 1 TAB DIMENSIONS  $.032^{+.001}_{-.002}$  x .250
- 2 WIRE STRIP LENGTH .281
- 3 INSULATION SIZE .135 MAX DIA
- 4 CONTINUOUS STRIP ON REELS
- 5 DIMENSION DOES NOT INCLUDE TRIM BURR
- 6 .015 MAX CARRIER TRIM BURR PER SIDE IS ALLOWABLE IN THE SHADED AREA
- 7 OBSOLETE PARTS: OBSOLETE CIS STREAMLINING PER D.RENAUD/D.SINISI

7	OBSOLETE	BULK	HOUSING:NYLON,COLOR-RED TRANSLUCENT TAB:#3 HARD BRASS,TIN	5-520102-2
		STANDARD	HOUSING:NYLON,COLOR-RED TRANSLUCENT TAB: BRASS,TIN	2-520102-2
		STANDARD	HOUSING:NYLON,COLOR-RED TRANSLUCENT TAB: BRASS,UNPLATED	2-520102-1
		PACKAGING	MATERIAL & FINISH	PART NO

THIS DRAWING IS A CONTROLLED DOCUMENT.		DWN P FORTNEY 11/16/88	<b>STE</b> TE Connectivity	
DIMENSIONS: INCHES		CHK MS FEHER 11/30/88		
TOLERANCES UNLESS OTHERWISE SPECIFIED:		APVD K RANDOLPH 11/14/88	NAME TAB ASSEMBLY, ULTRA-FAST, .250 SERIES, 22-18 AWG	
0 PLC ± -		PRODUCT SPEC 108-2017	SIZE	
1 PLC ± -		APPLICATION SPEC 114-2123	CAGE CODE A300779	DRAWING NO C-520102
2 PLC ± -		WEIGHT -	RESTRICTED TO -	
3 PLC ± .015		CUSTOMER DRAWING		
4 PLC ± -		SCALE 4:1		
ANGLES ± -		SHEET 1 OF 1		
FINISH		REV R		
SEE TABLE				

# Mouser Electronics

Authorized Distributor

Click to View Pricing, Inventory, Delivery & Lifecycle Information:

[TE Connectivity:](#)

[2-520102-2 \(CUT STRIP\)](#) [2-520102-2 \(MOUSER REEL\)](#)