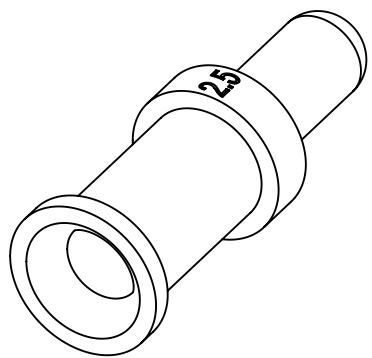
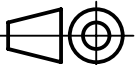



wire gauge: 2.5mm² / AWG 14
 stripping length: 6.5mm
 coating: silver plated



 All Dimensions in mm Original Size DIN A4	Scale	Free size tol.			Ref.
	10:1				Sub. TB 11 05 000 6106 v. 28.04.10
 All rights reserved Department EL PD - DE	Created by	Inspected by	Standardisation	Date	State
	HOLLERT	RIEPE	TIEMANNA	2013-11-28	Final Release
HARTING Electric GmbH & Co. KG D-32339 Espelkamp	Title Han-Yellock Crimp contact male 2.5mm ²				Doc-Key / ECM-Nr. 100177932/UGD/006/B 500000068615
	Type	Number			Rev.
TB	11 05 000 6106			B	1/1

Mouser Electronics

Authorized Distributor

Click to View Pricing, Inventory, Delivery & Lifecycle Information:

[HARTING:](#)

[11050006106](#)