

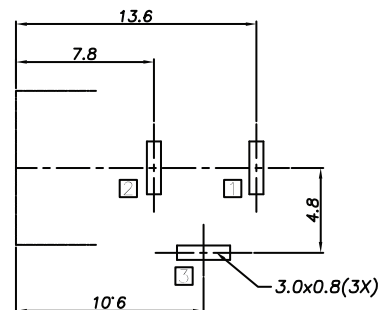
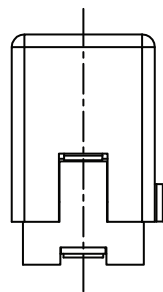
1

2

3

4

5



PCB LAYOUT - COMPONENT VIEW
TOLERANCE ± 0.05

TECHNICAL CHARACTERISTICS

MATERIAL

INSULATOR: PA 66
 FLAMMABILITY RATING: UL94-V0
 COLOR: BLACK
 CONTACT MATERIAL: COPPER ALLOY
 CONTACT TYPE: STAMPED
 PLATING:
 - CENTER PIN: GOLD
 - CENTER PIN TERMINAL: TIN
 - SHUNT TERMINAL: TIN
 - TIP SPRING: TIN
 QUALITY CLASS: 5000 MATING CYLCES

ENVIRONMENTAL

OPERATING TEMPERATURE: -40°C UP TO $+85^{\circ}\text{C}$
 COMPLIANCE: LEAD FREE AND ROHS

ELECTRICAL

CURRENT RATING: 5A
 WORKING VOLTAGE: 30 VDC
 INSULATION RESISTANCE: $>100\ \text{M}\Omega$
 DIELECTRIC WITHSTANDING VOLTAGE: 500 VAC/MIN
 CONTACT RESISTANCE: 50 m Ω max

STANDARD

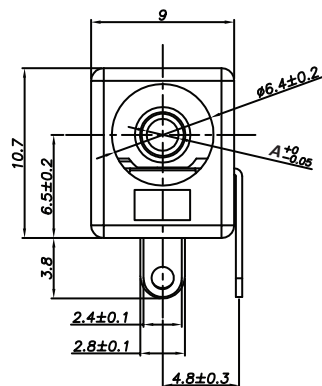
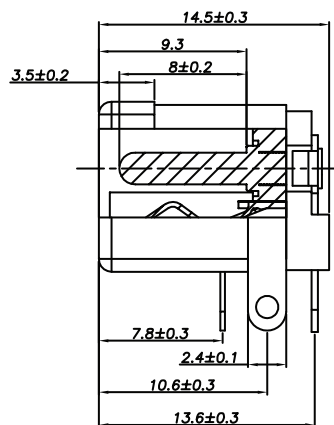
UL US CERTIFIED: E323964

SOLDERING

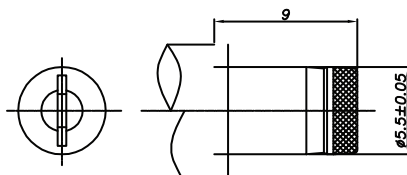
JEDEC LEAD FREE WAVE SOLDERING PROCESS

PACKAGING

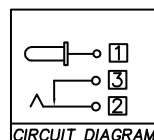
BAG



Ø A	2.0	2.5
XX	06	08
PLUG INNER Ø	2.05 ^{+0.10} _{-0.00}	2.55 ^{+0.10} _{-0.00}
PLUG OUTER Ø	5.5±0.05	5.5±0.05



DC MATE PLUG



CIRCUIT DIAGRAM

□ : TERMINAL NO.

RoHS Compliant

G				PROJECTION: 	GENERAL TOLERANCE X = ± 0.50 .X = ± 0.30 .XX = ± 0.20		DESCRIPTION: DC POWER JACK - RIGHT ANGLED - THT - Ø 2.0 & 2.5 -WR-DC	SIZE A4
F								
E								
D								
C			APPROVAL: JTs					
B	02-NOV-15	VOLTAGE / CERTIF	AK	UNIT: MM	SCALE:	DESCRIPTION: DC POWER JACK - RIGHT ANGLED - THT - Ø 2.0 & 2.5 -WR-DC	WERI PART NO: 694 1xx 301 002	A4
A	06-NOV-14	PDF	AS	SHEET: 1/3				
REV	DATE	FILE	BY	DRAW: AS				

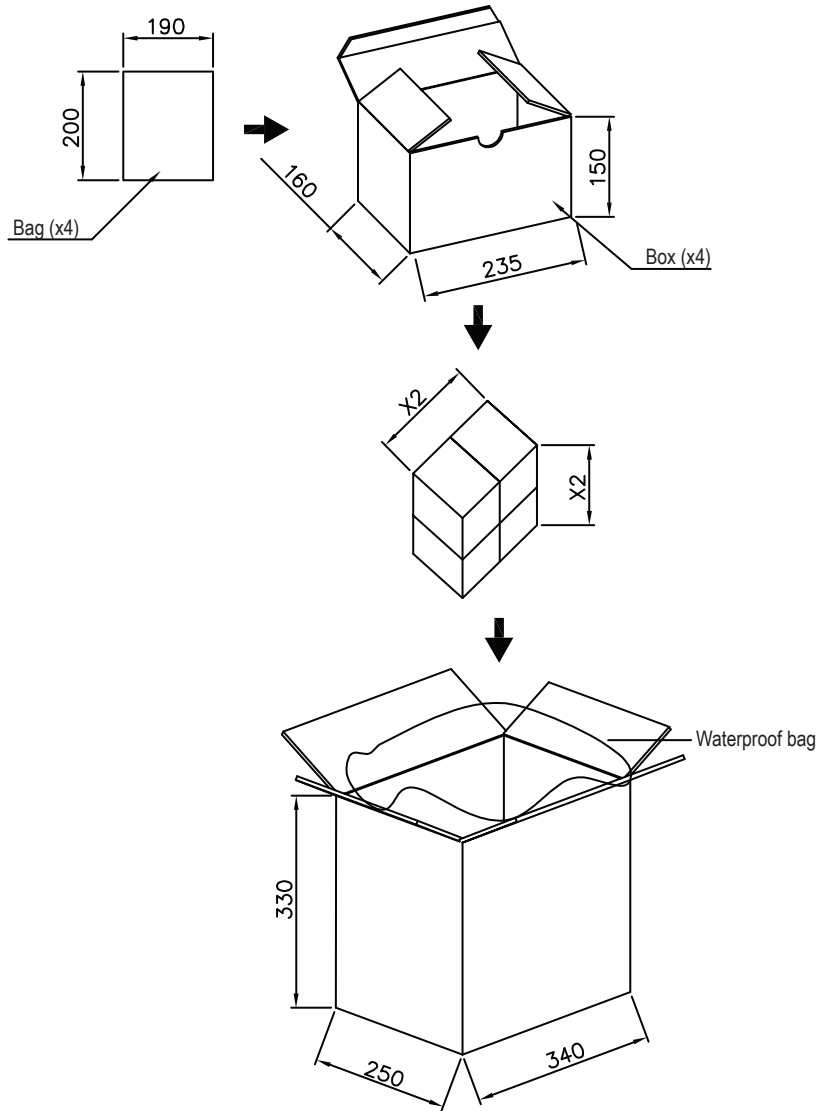
1

2

3

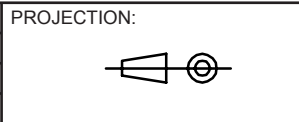
4

5



500 pcs/bag
4 bags/box 2000 pcs/box
4 boxes/carton 8000 pcs/carton

RoHS Compliant			
G			
F			
E			
D			
C			
B			
A	29-OCT-14	PDF	AS
REV	DATE	FILE	BY



GENERAL TOLERANCE
 .X = +/- 0.2
 .XX = +/- 0.15



APPROVAL: JTs

UNIT: MM
 SCALE:
 SHEET: 2/3
 DRAW: AS

DESCRIPTION: DC POWER JACK - RIGHT ANGLED - THT - Ø 2.0 & 2.5 - WR-DC
 WERI PART NO: 694 1xx 301 002

SIZE
A4

A

B

C

D

1

2

3

4

5

Cautions and Warnings:

This electronic component is designed and developed with the intention for use in general electronics equipments.

Before incorporating the components into any equipments in the field such as aerospace, aviation, nuclear control, submarine, transportation, (automotive control, train control, ship control), transportation signal, disaster prevention, medical, public information network etc. where higher safety and reliability are especially required or if there is possibility of direct damage or injury to human body, Würth Elektronik must be asked for a written approval.

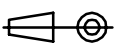

In addition, even electronic component in general electronic equipments, when used in electrical circuits that require high safety, reliability functions or performance, the sufficient reliability evaluation-check for the safety must be performed before by the user before usage.

A

B

C

RoHS Compliant

G				PROJECTION: 	GENERAL TOLERANCE .X = +/- 0.2 .XX = +/- 0.15	 WÜRTH ELEKTRONIK	
F							
E							
D							
C				APPROVAL: JC	UNIT: MM	DESCRIPTION: DISCLAIMER	SIZE A4
B					SCALE:		
A	10-SEP-14	PDF	QL		SHEET: 3/3	WERI PART NO: DISCLAIMER	
REV	DATE	FILE	BY		DRAW: QL		

D

Mouser Electronics

Authorized Distributor

Click to View Pricing, Inventory, Delivery & Lifecycle Information:

[Würth Electronics:](#)

[694106301002](#) [694108301002](#)