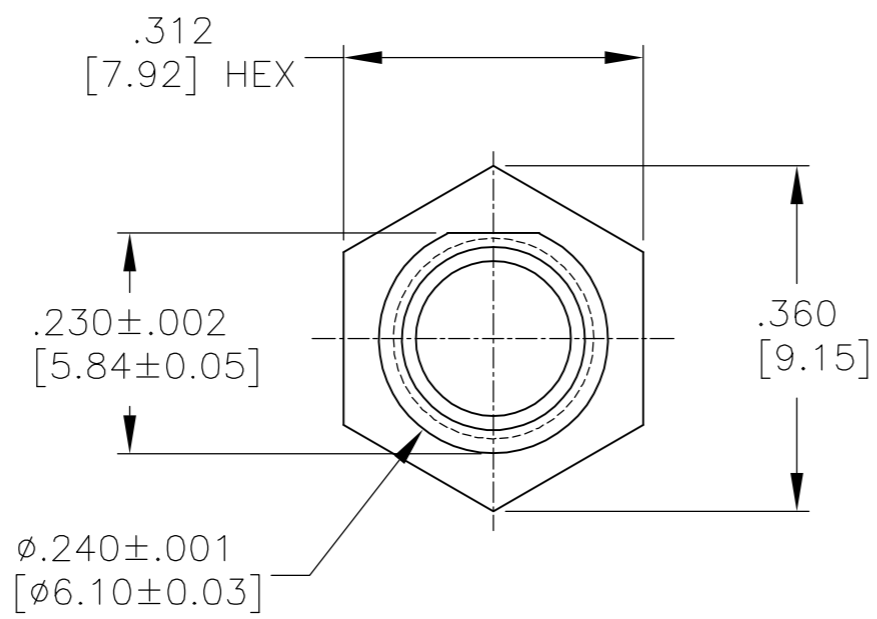
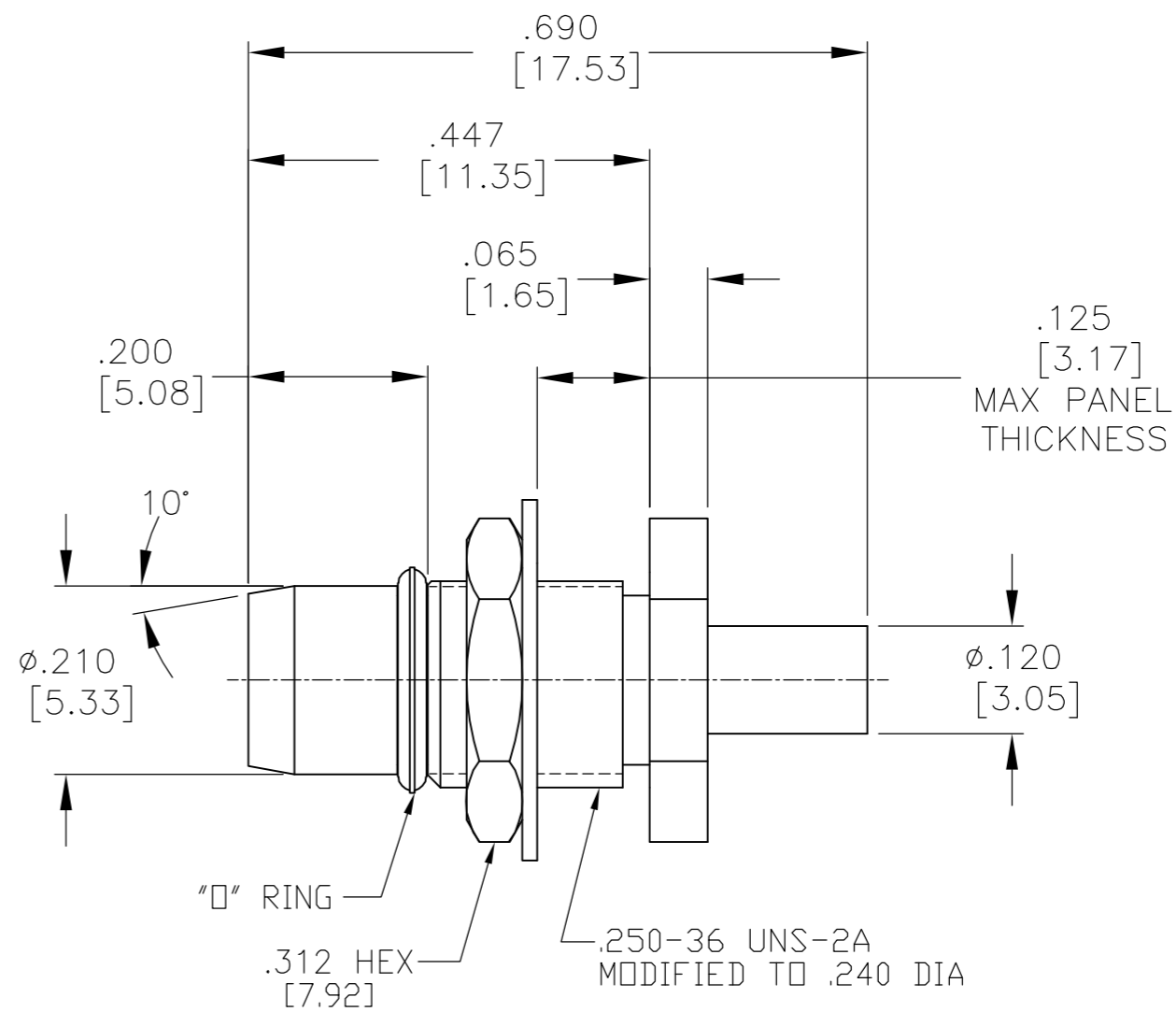


THIS DRAWING IS UNPUBLISHED.		RELEASED FOR PUBLICATION	
© COPYRIGHT BY TYCO ELECTRONICS CORPORATION. ALL RIGHTS RESERVED.			
COMPONENT	MATERIAL	FINISH	
HOUSING MOUNTING NUT LOCKWASHER	STAINLESS STEEL PER ASTM-A484 AND ASTM-A582, TYPE 303	GOLD PLATE PER MIL-G-45204	
DIELECTRIC	TFE FLUOROCARBON PER ASTM-D-1457	N/A	
CENTER CONTACT	BERYLLIUM COPPER PER ASTM-B-196 OR ASTM-B-197 ALLOY C17300, CONDITION H	GOLD PLATE PER MIL-G-45204	
O-RING	NITRILE (BUNA-N) PER MIL-P-25732	N/A	

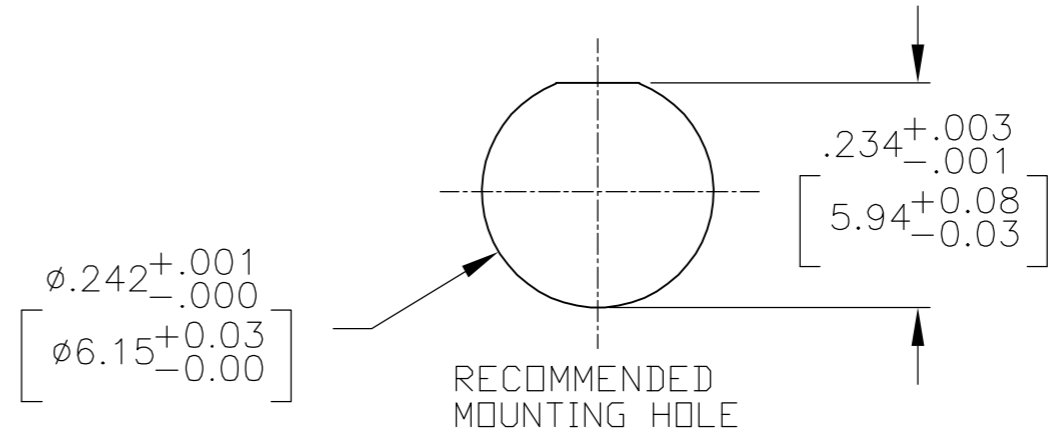
LOC	DIST	REVISIONS					
DF	X0	P	LTR	DESCRIPTION	DATE	DWN	APVD
		E		REV PER ECO 06-005582	23MAR06	PY	RG



VIEW SHOWN WITHOUT COUPLING NUT & WASHER



ELECTRICAL	MECHANICAL	ENVIRONMENTAL
NOMINAL IMPEDANCE (OHMS) <u>50 ± 1</u>	Interface Dimensions Per MIL-STD-348A Fig. 321.1	TEMPERATURE RATING <u>-65° TO +125°C</u>
Frequency Range (GHz) DC to <u>22</u>	Mating Characteristics:	Vibration MIL-STD-202, Method 204, Condition D
Volt Rating (VRMS MAX) @ Sea Level <u>335</u>	Insertion (MAX Lbs) <u>N/A</u>	Shock MIL-STD-202, Method 213, Condition I
VSWR <u>1.05+0.05f(GHz) DC to 18 GHz</u>	Withdrawal (MIN Oz) <u>N/A</u>	Thermal Shock MIL-STD-202, Method 107, Condition B
<u>1.05+0.09f(GHz) DC to 22 GHz</u>	Force to Engage (In-Lbs MAX) <u>N/A</u>	Moisture Resistance MIL-STD-202, Method 106
Insertion Loss (dB MAX) <u>.03x√f(GHz)</u>	& Disengage (In-Lbs MAX) <u>N/A</u>	Corrosion - MIL-STD-202, Method 101, Condition B
RF Leakage (dB MIN) (Interface Only, Fully Mated) <u>-[90-f(GHz)]</u>	Center Contact Captivation Axial (Lbs) <u>6</u>	
Corona, 70,000 Ft (VRMS MIN) <u>335</u>	Cable Retention Axial Force (Lbs MIN) <u>30</u>	
Dielectric Withstanding Voltage (VRMS MIN) @ Sea Level <u>1000</u>	Torque (In-Oz MIN) <u>16</u>	
Contact Resistance (Milliohms MAX) Center Contact <u>2.0</u>	Weight (Grams) <u>2.7</u>	
Outer Contact <u>2.0</u>		
Cable to Housing <u>0.5</u>		
RF High Potential @ Sea Level (VRMS MIN @ 5 MHz) <u>670</u>		
I.R.(Megohms MIN) <u>5000</u>		



RECOMMENDED MOUNTING HOLE

THIS DRAWING IS A CONTROLLED DOCUMENT.		DWN C.C.THOMAS 16FEB04	Tyco Electronics Corporation Harrisburg, Pa 17105-3608	
DIMENSIONS: INCHES [mm]		CHK R.GROSS 2-16-04		
TOLERANCES UNLESS OTHERWISE SPECIFIED:		APVD R.GROSS 2-16-04	NAME OSP BULKHEAD FEED-THRU CABLE PLUG, DIRECT SOLDER ATTACHMENT	
DESIGNED FOR USE WITH ø.085 [2.16] SEMI-RIGID CABLE		APPLICATION SPEC 408-8265	SIZE A2	CAGE CODE 00779
CABLE ENTRY DIAMETER MINIMUM		WEIGHT 2.7 Grams	DRAWING NO C=1757046	RESTRICTED TO
HOUSING .089 [2.26]	MATERIAL SEE TABLE	CUSTOMER DRAWING	SCALE 5:1	SHEET 1 OF 1
CONTACT .0215 [0.546]	FINISH SEE TABLE		REV E	

1757046

1757046-1
PART NO.

Mouser Electronics

Authorized Distributor

Click to View Pricing, Inventory, Delivery & Lifecycle Information:

[TE Connectivity:](#)

[1757046-1](#)