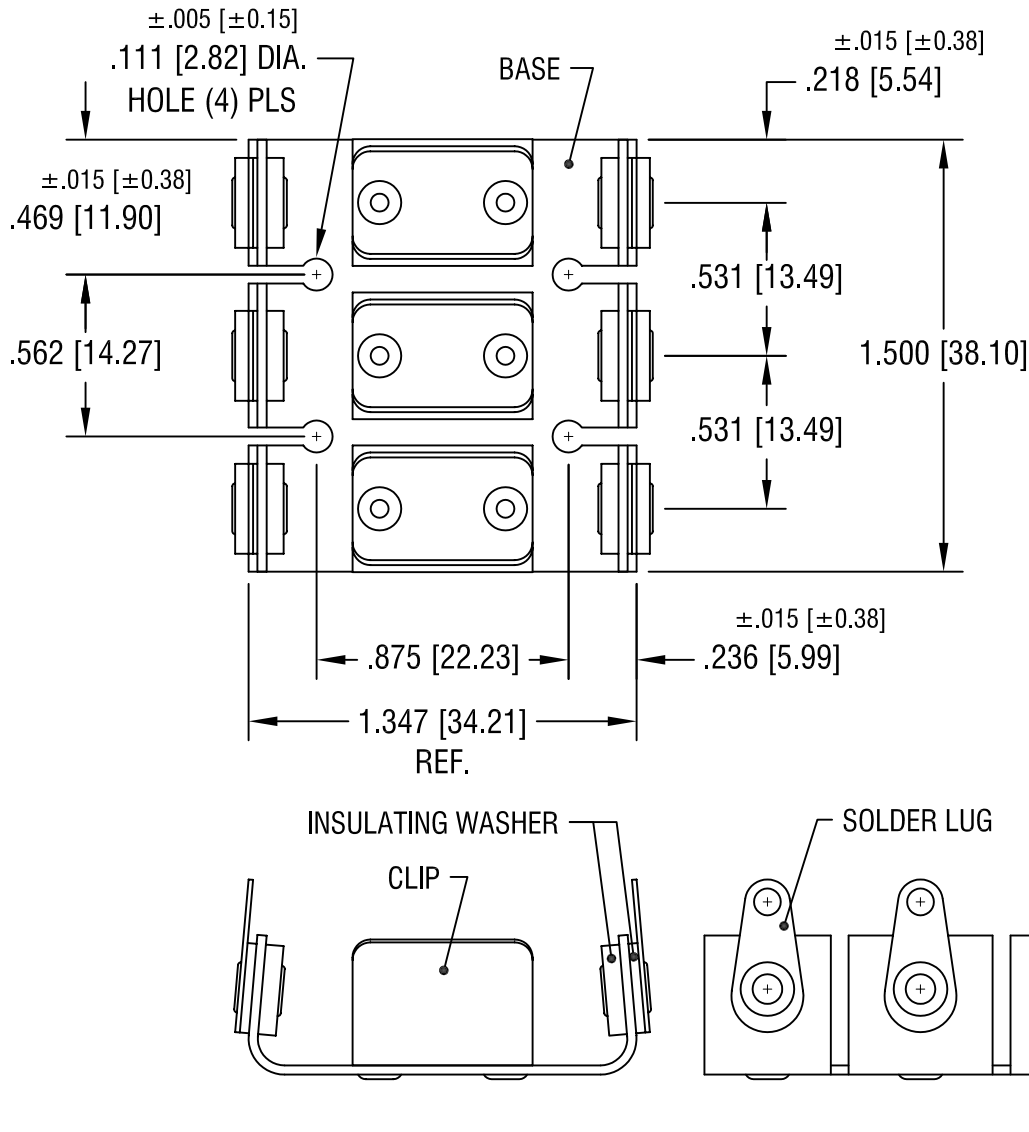


THIS DOCUMENT IS THE PROPERTY OF
KEYSTONE ELECTRONICS CORP. AND
SHALL NOT BE REPRODUCED, DISTRIBUTED
OR USED AS A BASIS FOR MANUFACTURE
WITHOUT PRIOR WRITTEN PERMISSION
FROM KEYSTONE ELECTRONICS CORP.



NOTES:

- 1. BASE: MAT'L - .032 [.81] TH'K ALUMINUM
- CLIP: MAT'L - .020 [.50] TH'K ALUMINUM
- SOLDER LUG: MAT'L - BRASS
- FINISH - TIN PLATE

KEYSTONE ELECTRONICS CORP.

ASTORIA, N.Y. 11105-2017

| | | | | | | | |
|------------|--|--------|--|----------------------------|--|---------|--|
| PART NAME | | | | BATTERY HOLDER (3) 'N' | | | |
| MATERIAL | | | | AS NOTED | | | |
| FINISH | | DRN BY | | DATE | | SCALE | |
| AS NOTED | | BOONE | | 12.30.81 | | 1.5X | |
| TOLERANCES | | INCH | | [MM] | | CODE | |
| DECIMAL | | ± .010 | | [± 0.25] | | C | |
| ANGULAR | | ± 1° | | UNLESS OTHERWISE SPECIFIED | | DWG NO. | |
| | | | | | | 156 | |

| | | |
|---------|--------------------------|------|
| 4.23.02 | CHANGE AS PER ECN 02-030 | B |
| DATE | DESCRIPTION | REV. |

Mouser Electronics

Authorized Distributor

Click to View Pricing, Inventory, Delivery & Lifecycle Information:

[Keystone Electronics:](#)

[156](#)