

## Automotive-grade N-channel 200 V, 0.10 $\Omega$ typ., 18 A STripFET™ Power MOSFET in a DPAK package

Datasheet - production data

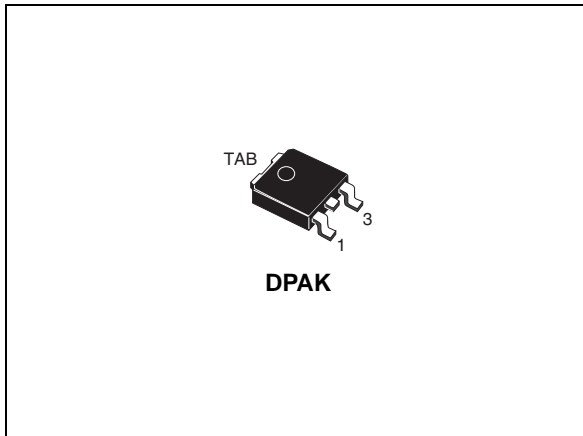
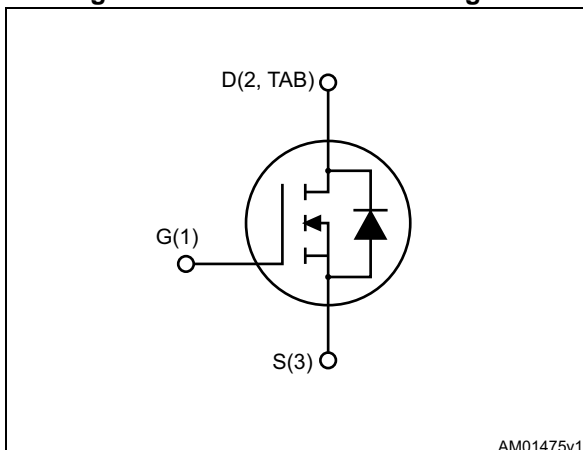


Figure 1. Internal schematic diagram



### Features

Order code	$V_{DS}$	$R_{DS(on)max}$	$I_D$	$P_{TOT}$
STD25NF20	200 V	0.125 $\Omega$	18 A	110 W

- Designed for automotive applications and AEC-Q101 qualified
- Extremely low gate charge
- Exceptional  $dv/dt$  capability
- Low gate input resistance
- 100% avalanche tested

### Applications

- Switching applications

### Description

This N-channel enhancement mode Power MOSFET benefits from the latest refinement of STMicroelectronics' unique "single feature size" strip-based process, which decreases the critical alignment steps to offer exceptional manufacturing reproducibility. The result is a transistor with extremely high packing density for low on-resistance, rugged avalanche characteristics and low gate charge.

Table 1. Device summary

Order code	Marking	Package	Packing
STD25NF20	25NF20	DPAK	Tape and reel

---

# Contents

<b>1</b>	<b>Electrical ratings</b> .....	<b>3</b>
<b>2</b>	<b>Electrical characteristics</b> .....	<b>4</b>
2.1	Electrical characteristics (curves) .....	6
<b>3</b>	<b>Test circuits</b> .....	<b>8</b>
<b>4</b>	<b>Package information</b> .....	<b>9</b>
4.1	DPAK (TO-252) package information .....	10
4.2	Packing information .....	13
<b>5</b>	<b>Revision history</b> .....	<b>15</b>

# 1 Electrical ratings

**Table 2. Absolute maximum ratings**

Symbol	Parameter	Value	Unit
$V_{DS}$	Drain-source voltage	200	V
$V_{GS}$	Gate-source voltage	$\pm 20$	
$I_D$	Drain current (continuous) at $T_C = 25\text{ }^\circ\text{C}$	18	A
	Drain current (continuous) at $T_C = 100\text{ }^\circ\text{C}$	11	
$I_{DM}^{(1)}$	Drain current (pulsed)	72	A
$P_{TOT}$	Total dissipation at $T_C = 25\text{ }^\circ\text{C}$	110	W
$dv/dt^{(2)}$	Peak diode recovery voltage slope	15	V/ns
$T_{stg}$	Storage temperature	-55 to 175	$^\circ\text{C}$
$T_j$	Operating junction temperature		

- Pulse width limited by safe operating area.
- $I_{SD} \leq 18\text{ A}$ ,  $di/dt \leq 200\text{ A}/\mu\text{s}$ ;  $V_{DS\text{ peak}} < V_{(BR)DSS}$ ,  $V_{DD} = 80\% V_{(BR)DSS}$ .

**Table 3. Thermal data**

Symbol	Parameter	Value	Unit
$R_{thj-case}$	Thermal resistance junction-case	1.38	$^\circ\text{C}/\text{W}$
$R_{thj-pcb}$	Thermal resistance junction-pcb	$50^{(1)}$	

- When mounted on 1 inch<sup>2</sup> FR-4, 2 Oz copper board

**Table 4. Avalanche characteristics**

Symbol	Parameter	Value	Unit
$I_{AR}$	Avalanche current, repetitive or not repetitive (pulse width limited by $T_{jmax}$ )	18	A
$E_{AS}$	Single pulse avalanche energy (starting $T_j=25\text{ }^\circ\text{C}$ , $I_D = I_{AR}$ ; $V_{DD}=50\text{ V}$ )	110	mJ

## 2 Electrical characteristics

( $T_C = 25\text{ °C}$  unless otherwise specified)

**Table 5. Static**

Symbol	Parameter	Test conditions	Min.	Typ.	Max.	Unit
$V_{(BR)DSS}$	Drain-source breakdown voltage	$I_D = 1\text{ mA}, V_{GS} = 0$	200			V
$I_{DSS}$	Zero gate voltage drain current ( $V_{GS} = 0$ )	$V_{DS} = 200\text{ V}$			1	$\mu\text{A}$
		$V_{DS} = 200\text{ V}, T_C = 125\text{ °C}$			50	$\mu\text{A}$
$I_{GSS}$	Gate-body leakage current ( $V_{DS} = 0$ )	$V_{GS} = \pm 20\text{ V}$			$\pm 100$	nA
$V_{GS(th)}$	Gate threshold voltage	$V_{DS} = V_{GS}, I_D = 250\text{ }\mu\text{A}$	2	3	4	V
$R_{DS(on)}$	Static drain-source on-resistance	$V_{GS} = 10\text{ V}, I_D = 10\text{ A}$		0.10	0.125	$\Omega$

**Table 6. Dynamic**

Symbol	Parameter	Test conditions	Min.	Typ.	Max.	Unit
$C_{iss}$	Input capacitance	$V_{DS} = 25\text{ V}, f = 1\text{ MHz}, V_{GS} = 0$	-	940		pF
$C_{oss}$	Output capacitance		-	197		pF
$C_{riss}$	Reverse transfer capacitance		-	30		pF
$Q_g$	Total gate charge	$V_{DD} = 160\text{ V}, I_D = 20\text{ A}, V_{GS} = 10\text{ V}$ (see <a href="#">Figure 13</a> )	-	28	39	nC
$Q_{gs}$	Gate-source charge		-	5.6		nC
$Q_{gd}$	Gate-drain charge		-	14.5		nC

**Table 7. Switching times**

Symbol	Parameter	Test conditions	Min.	Typ.	Max.	Unit
$t_d(on)$	Turn-on delay time	$V_{DD} = 100\text{ V}, I_D = 10\text{ A}, R_G = 4.7\text{ }\Omega, V_{GS} = 10\text{ V}$ (see <a href="#">Figure 14</a> and <a href="#">Figure 17</a> )	-	15	-	ns
$t_r(v)$	Voltage rise time		-	30	-	ns
$t_d(off)$	Turn-off-delay time		-	40	-	ns
$t_f(i)$	Fall time		-	10	-	ns

Table 8. Source drain diode

Symbol	Parameter	Test conditions	Min.	Typ.	Max.	Unit
$I_{SD}$	Source-drain current		-		18	A
$I_{SDM}^{(1)}$	Source-drain current (pulsed)		-		72	A
$V_{SD}^{(2)}$	Forward on voltage	$I_{SD} = 20\text{ A}$ , $V_{GS} = 0$	-		1.6	V
$t_{rr}$	Reverse recovery time	$I_{SD} = 20\text{ A}$ , $di/dt = 100\text{ A}/\mu\text{s}$ $V_{DD} = 50\text{ V}$ (see <a href="#">Figure 17</a> )	-	155		ns
$Q_{rr}$	Reverse recovery charge		-	775		nC
$I_{RRM}$	Reverse recovery current		-	10		A
$t_{rr}$	Reverse recovery time	$I_{SD} = 20\text{ A}$ , $di/dt = 100\text{ A}/\mu\text{s}$ $V_{DD} = 50\text{ V}$ , $T_j = 150\text{ °C}$ (see <a href="#">Figure 17</a> )	-	183		ns
$Q_{rr}$	Reverse recovery charge		-	1061		nC
$I_{RRM}$	Reverse recovery current		-	11.6		A

1. Pulse width limited by safe operating area.
2. Pulsed: pulse duration = 300  $\mu\text{s}$ , duty cycle 1.5%

## 2.1 Electrical characteristics (curves)

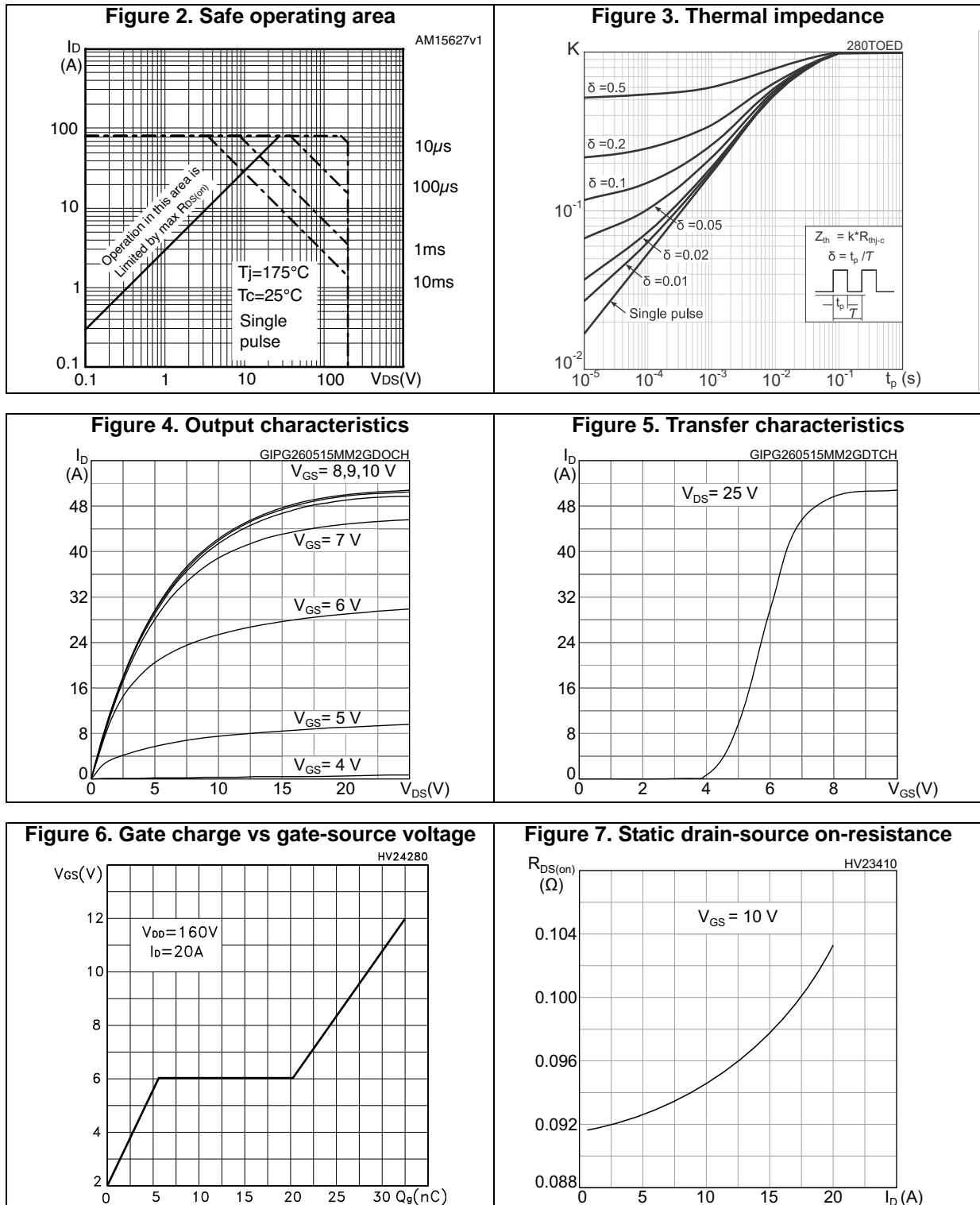


Figure 8. Capacitance variations

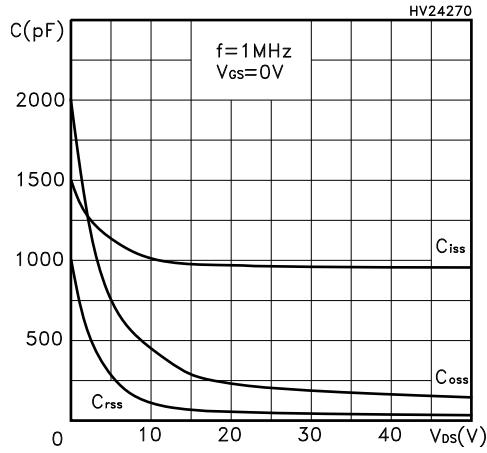


Figure 9. Source-drain diode forward characteristics

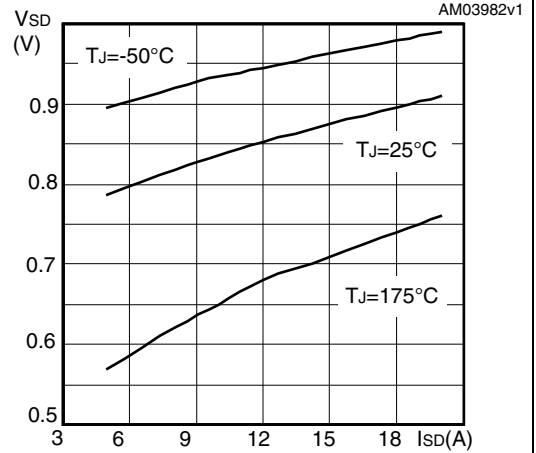


Figure 10. Normalized gate threshold voltage vs temperature

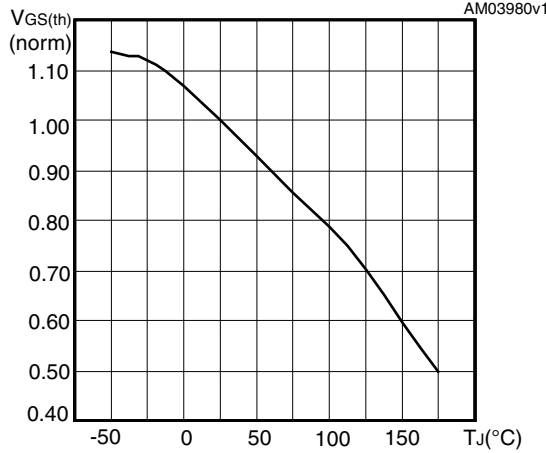
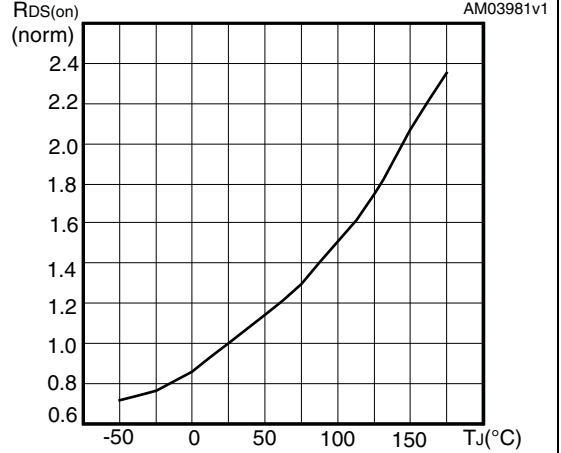
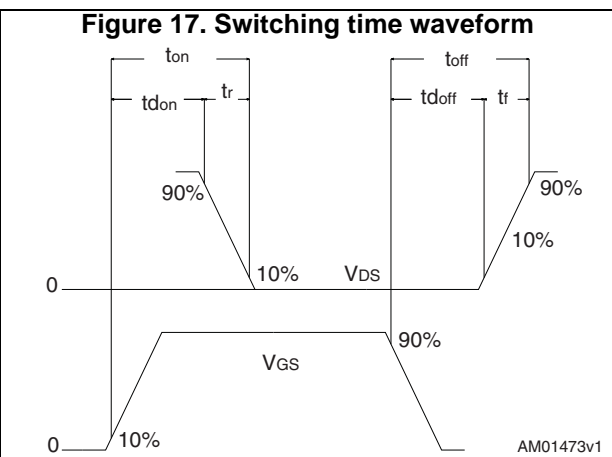
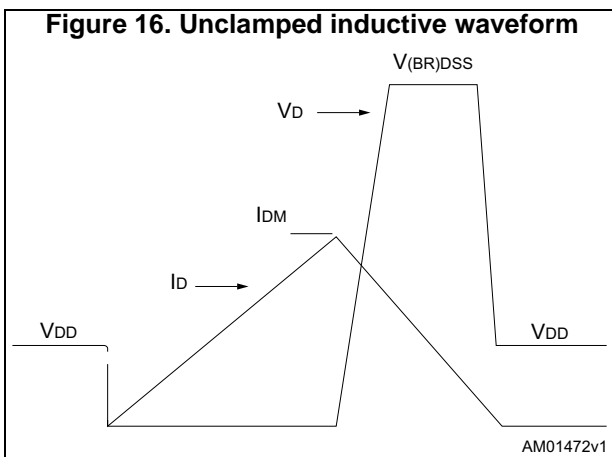
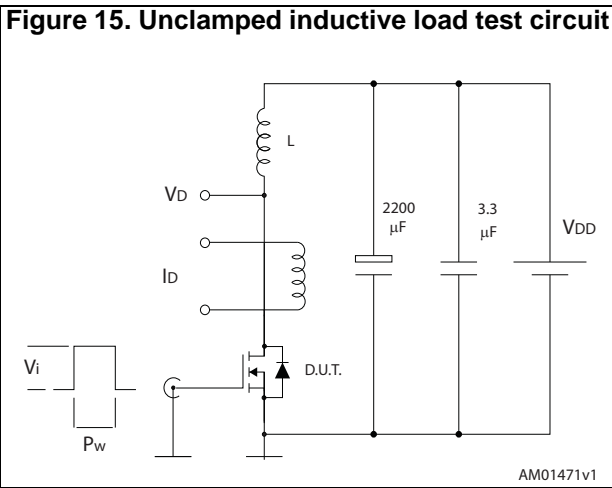
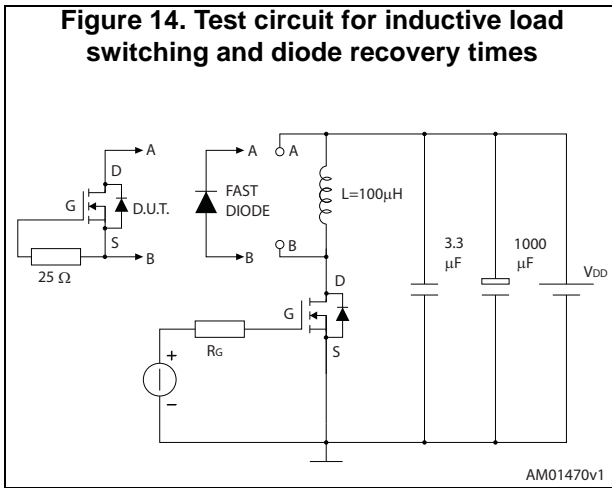
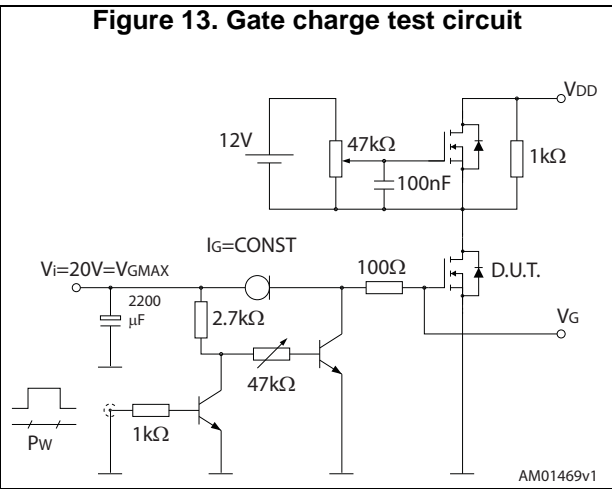
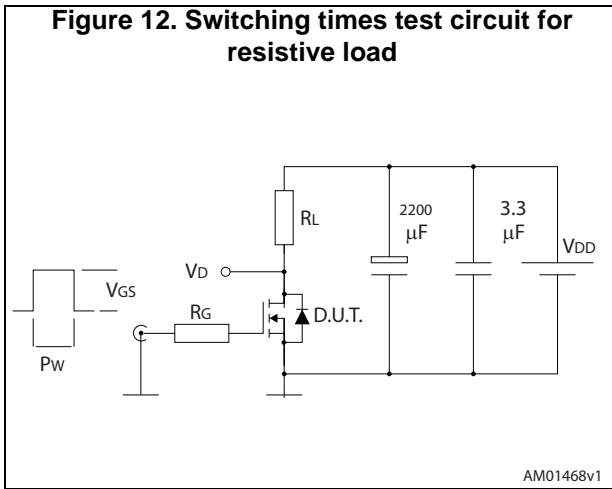


Figure 11. Normalized on-resistance vs temperature



### 3 Test circuits





## 4 Package information

In order to meet environmental requirements, ST offers these devices in different grades of ECOPACK<sup>®</sup> packages, depending on their level of environmental compliance. ECOPACK<sup>®</sup> specifications, grade definitions and product status are available at: [www.st.com](http://www.st.com). ECOPACK<sup>®</sup> is an ST trademark.

### 4.1 DPAK (TO-252) package information

Figure 18. DPAK (TO-252) type A2 package outline

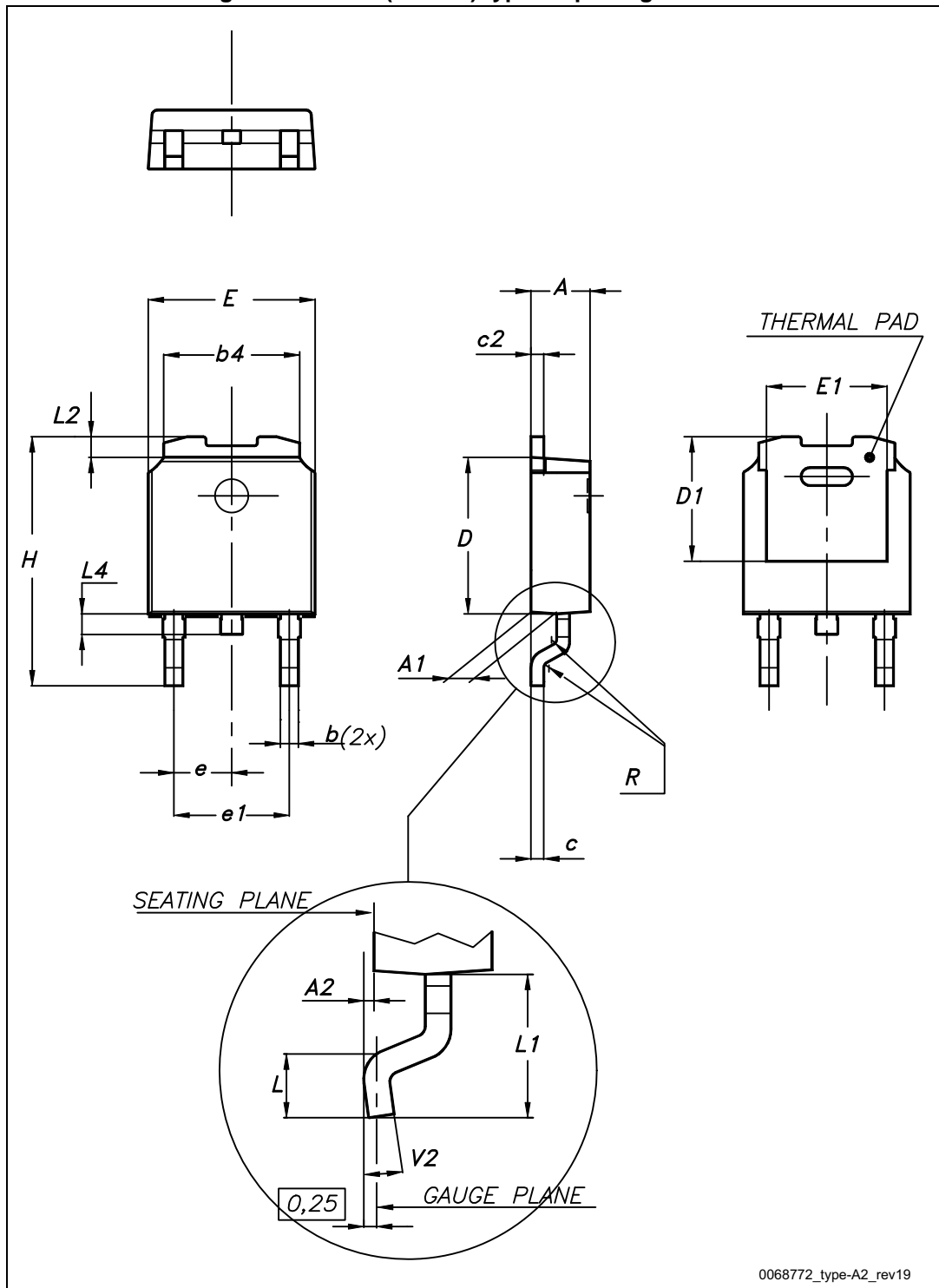
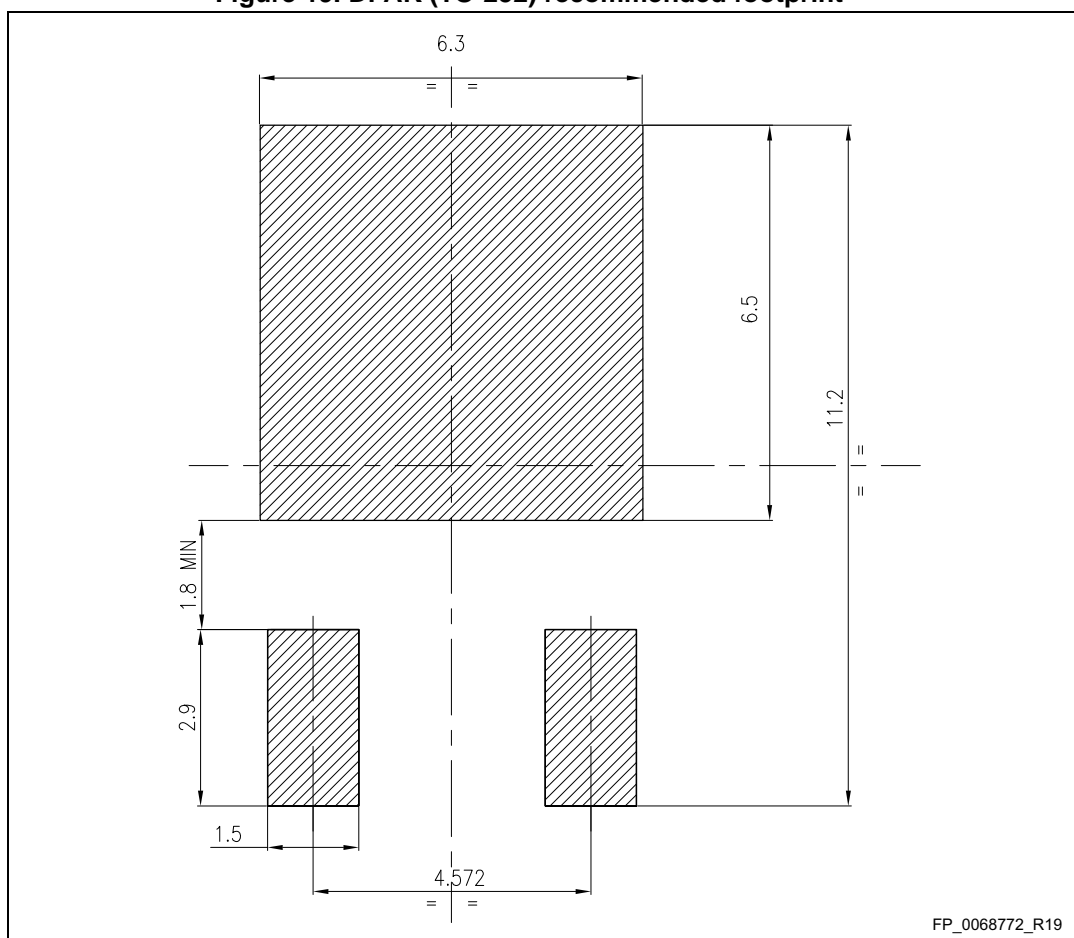


Table 9. DPAK (TO-252) type A2 mechanical data

Dim.	mm		
	Min.	Typ.	Max.
A	2.20		2.40
A1	0.90		1.10
A2	0.03		0.23
b	0.64		0.90
b4	5.20		5.40
c	0.45		0.60
c2	0.48		0.60
D	6.00		6.20
D1	4.95	5.10	5.25
E	6.40		6.60
E1	5.10	5.20	5.30
e	2.16	2.28	2.40
e1	4.40		4.60
H	9.35		10.10
L	1.00		1.50
L1	2.60	2.80	3.00
L2	0.65	0.80	0.95
L4	0.60		1.00
R		0.20	
V2	0°		8°

Figure 19. DPAK (TO-252) recommended footprint (a)



FP\_0068772\_R19

a. All dimensions are in millimeters

### 4.2 Packing information

Figure 20. Tape outline for DPAK (TO-252)

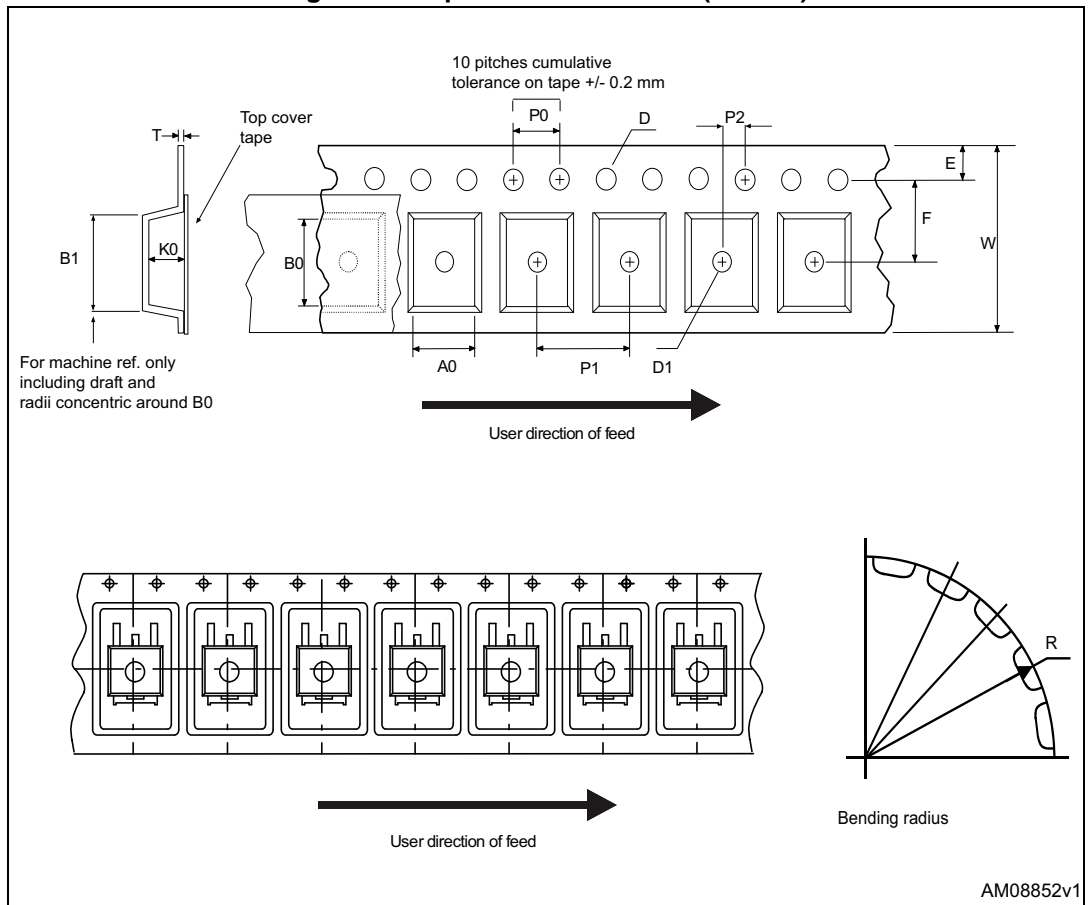


Figure 21. Reel outline for DPAK (TO-252)

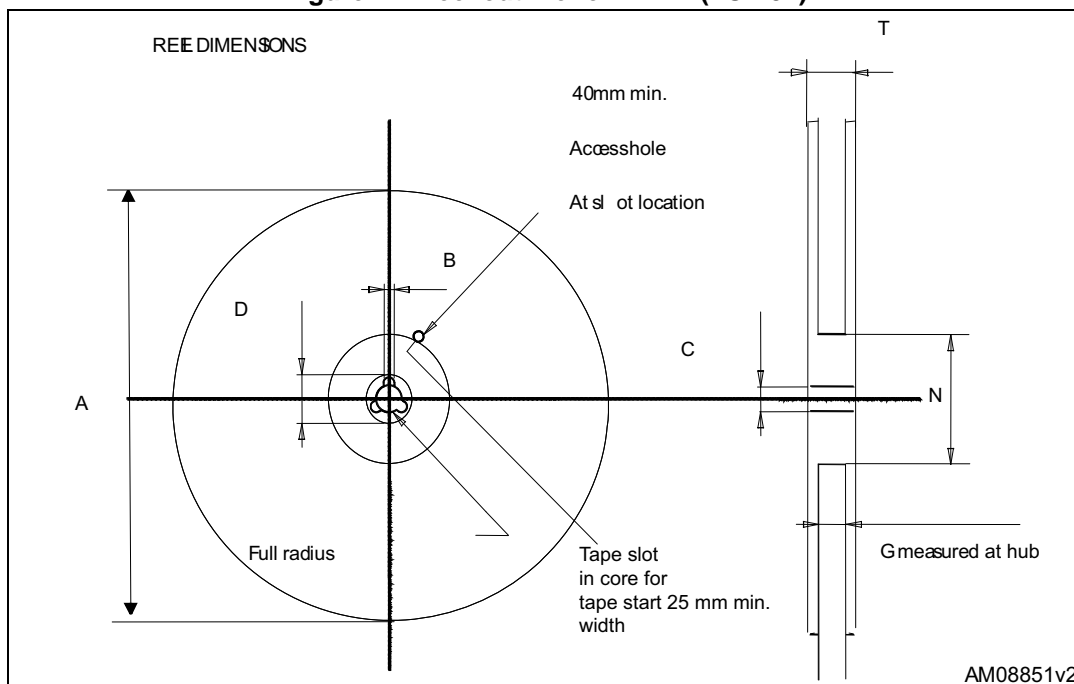


Table 10. DPAK (TO-252) tape and reel mechanical data

Tape			Reel		
Dim.	mm		Dim.	mm	
	Min.	Max.		Min.	Max.
A0	6.8	7	A		330
B0	10.4	10.6	B	1.5	
B1		12.1	C	12.8	13.2
D	1.5	1.6	D	20.2	
D1	1.5		G	16.4	18.4
E	1.65	1.85	N	50	
F	7.4	7.6	T		22.4
K0	2.55	2.75			
P0	3.9	4.1		Base qty.	2500
P1	7.9	8.1		Bulk qty.	2500
P2	1.9	2.1			
R	40				
T	0.25	0.35			
W	15.7	16.3			

## 5 Revision history

Table 11. Document revision history

Date	Revision	Changes
12-Mar-2013	1	First release.
03-Sep-2013	2	<ul style="list-style-type: none"><li>– Modified: title and <i>Features</i> in cover page</li><li>– Modified: <i>Figure 12, 13, 14</i> and <i>15</i></li><li>– Minor text changes</li></ul>
27-May-2015	3	<p>Text and formatting changes throughout document.</p> <p>In <i>Section 1: Electrical ratings</i>:</p> <ul style="list-style-type: none"><li>- updated <i>Table 2</i> and <i>Table 3</i></li></ul> <p>In <i>Section 1: Electrical ratings</i>:</p> <ul style="list-style-type: none"><li>- updated <i>Table 8</i></li></ul> <p>In <i>Section 2.1: Electrical characteristics (curves)</i>:</p> <ul style="list-style-type: none"><li>- updated <i>Figure 4</i> and <i>Figure 5</i></li></ul> <p>Updated <i>Section 4: Package information</i></p>

**IMPORTANT NOTICE – PLEASE READ CAREFULLY**

STMicroelectronics NV and its subsidiaries ("ST") reserve the right to make changes, corrections, enhancements, modifications, and improvements to ST products and/or to this document at any time without notice. Purchasers should obtain the latest relevant information on ST products before placing orders. ST products are sold pursuant to ST's terms and conditions of sale in place at the time of order acknowledgement.

Purchasers are solely responsible for the choice, selection, and use of ST products and ST assumes no liability for application assistance or the design of Purchasers' products.

No license, express or implied, to any intellectual property right is granted by ST herein.

Resale of ST products with provisions different from the information set forth herein shall void any warranty granted by ST for such product.

ST and the ST logo are trademarks of ST. All other product or service names are the property of their respective owners.

Information in this document supersedes and replaces information previously supplied in any prior versions of this document.

© 2015 STMicroelectronics – All rights reserved



# Mouser Electronics

Authorized Distributor

Click to View Pricing, Inventory, Delivery & Lifecycle Information:

[STMicroelectronics:](#)

[STD25NF20](#)